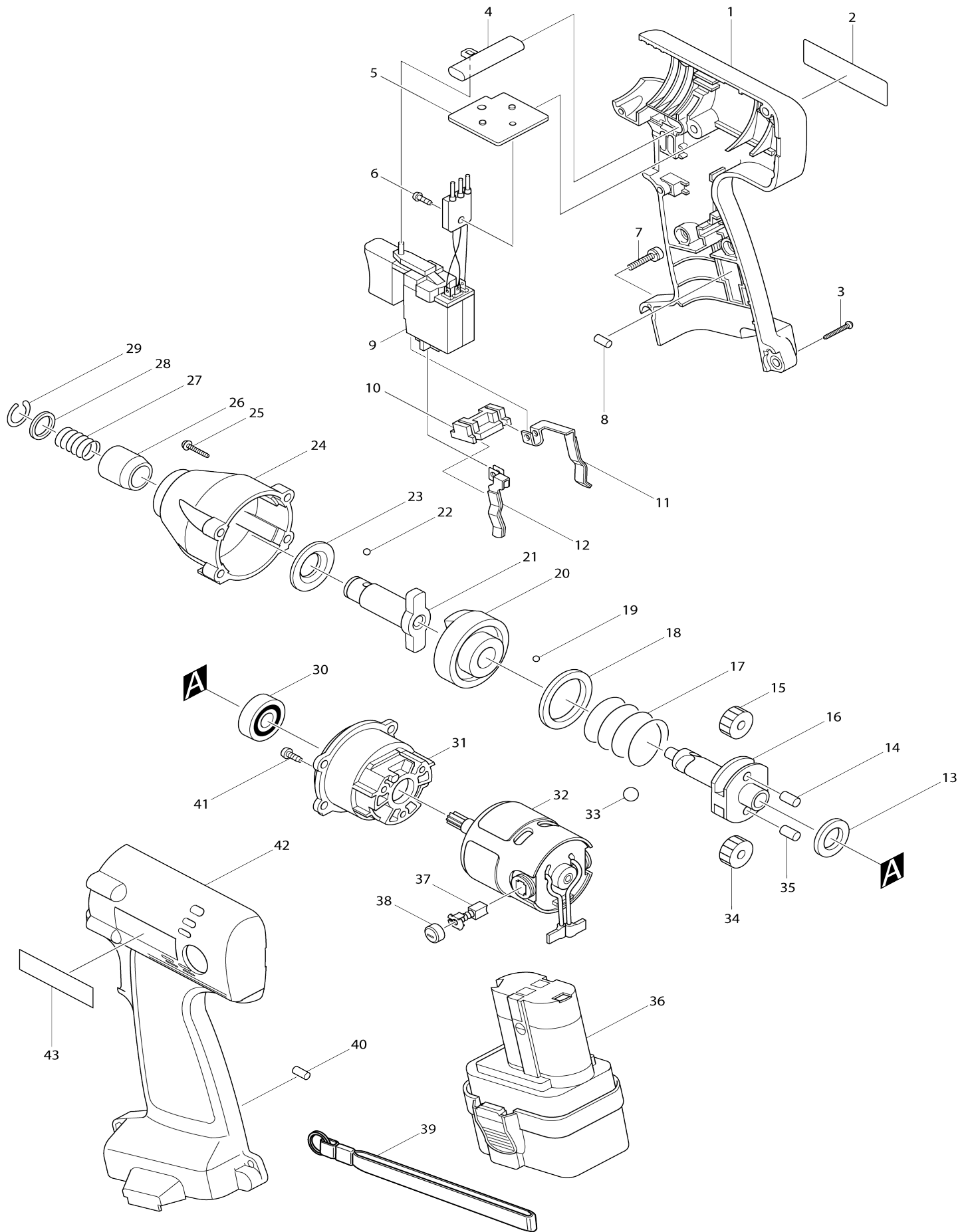


# Model No.6908D CORDLESS IMPACT DRIVER



Model No.6908D CORDLESS IMPACT DRIVER

Item No.	Parts No.	Description	Interchangability	Q'ty	New/Old	Note1	Note2
001	182919-6	HOUSING SET		1			
D10		INC. 42,43					
002	858715-1	NAME PLATE 6908D		1			
003	265995-6	TAPPING SCREW 4X18		7			
004	416079-5	F/R CHANGE LEVER		1			
005	689070-8	HEAT SINK		1			
006	911006-2	PAN HEAD SCREW M3X8		1			
007	911143-2	PAN HEAD SCREW M4X22		1			
008-1	263024-9	RUBBER PIN 4		1			
009	651939-6	SWITCH C3LA-1A		1	*		
009-1	651939-6	SWITCH C3LA-1A	O	1	*		
009-2	650540-4	SWITCH C3LA-1A	<	1			
010	687085-9	HOLDER		1			
011	654168-0	SPRING TERMINAL (+)		1	*		
011-1	654168-0	SPRING TERMINAL (+)	<	1			
012	654169-8	SPRING TERMINAL (-)		1	*		
012-1	654169-8	SPRING TERMINAL (-)	<	1			
013	253744-3	FLAT WASHER 12		1			
014	256253-1	PIN 5		1			
015	226336-1	SPUR GEAR 22		1	*		
015-1	227362-3	SPUR GEAR 22	<	1			
016	322958-6	SPINDLE		1			
017	233193-0	COMPRESSION SPRING 24		1			
018	267148-3	FLAT WASHER 23		1			
019	216008-6	STEEL BALL 4		21			
020	322957-8	HAMMER		1			
021A_	322754-2	ANVIL		1	*		
021A1	324267-9	ANVIL M	<	1			
022	216001-0	STEEL BALL 3.5		2			
023	261108-7	NYLON WASHER 14		1			
024	152555-2	HAMMER CASE COMPLETE		1			
025	265999-8	TAPPING SCREW 4X25		4			
026	322434-0	SLEEVE		1	*		
026-1	324420-7	SLEEVE	O	1			
027	233005-7	COMPRESSION SPRING 13		1			
028	267085-1	FLAT WASHER 12		1			
029	231951-8	RING SPRING 11		1			
030	211101-1	BALL BEARING 6001LLB		1			
031	416313-3	INTERNAL GEAR CASE		1			
032	629710-6	DC MOTOR		1	*		
C10	226337-9	SPUR GEAR 7		1	*		
C20	654069-2	RECEPTACLE		2	*		
D10		INC. 37,38					
032-1	629762-7	DC MOTOR	<	1			
C10	226337-9	SPUR GEAR 7		1			
D10		INC. 37,38					
033	216011-7	STEEL BALL 5.6		2			

034	226336-1	SPUR GEAR 22		1	*		
034-1	227362-3	SPUR GEAR 22	<	1			
035	256253-1	PIN 5		1			
036A_	192595-8	BATTERY 9122 SET		1			
037	191966-6	CARBON BRUSH CB-424		1			
038	643933-2	BRUSH HOLDER CAP		2			
040-1	263024-9	RUBBER PIN 4		1			
041	266166-8	TAPPING SCREW CT 3X8		3			
042	182919-6	HOUSING SET		1			
D10		INC. 1,43					
043	819063-3	MAKITA LABEL		1			
A01	343579-1	SET PLATE		1	*		
A02	414938-7	BATTERY COVER		1			
A03	824489-6	PLASTIC CARRYING CASE		1	*		
C10	186347-7	SLIDE LATCH SET		1	*		
A03-1	824635-1	PLASTIC CARRYING CASE	X	1			
C10	186347-7	SLIDE LATCH SET		1			
C20	819143-5	MAKITA LABEL		1			
036C_	193099-3	BATTERY 9134 SET		1	*		
036C1	193099-3	BATTERY 9134 SET	O	1			

Please state Parts No. when your order.

Print Date 10/09/2023