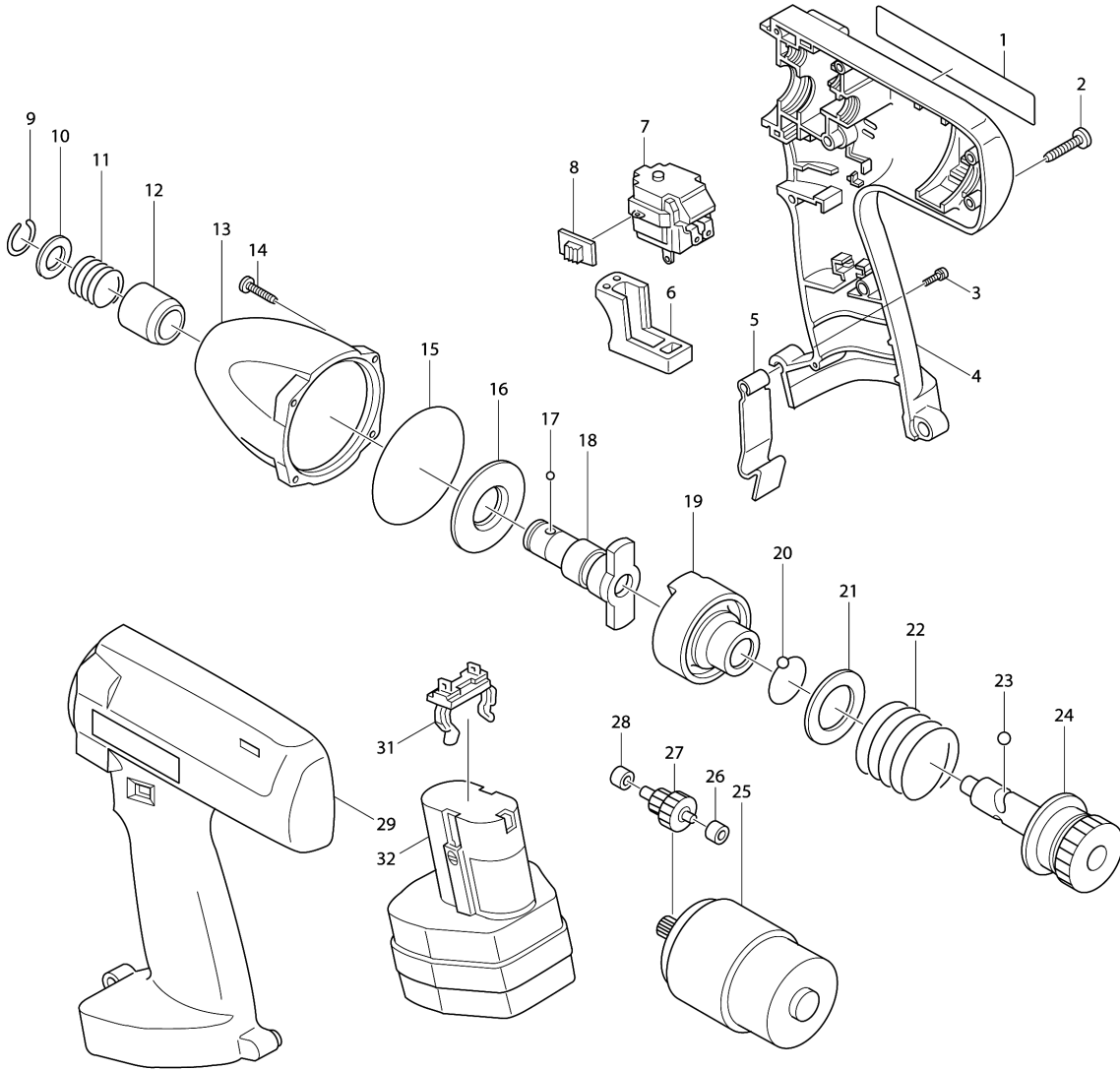


Model No.6911D CORDLESS IMPACT DRIVER



Model No.6911D CORDLESS IMPACT DRIVER

| Item | Parts No. | Description | I/C | Qty | New/Old | Opt. 1 | Opt. 2 | Note |
|-------|-----------|------------------------|-----|-----|---------|--------|--------|------|
| 001 | 857038-4 | NAME PLATE 6911D | | 1 | | | | |
| 002 | 265925-7 | TAPPING SCREW BT4X20 | | 6 | | | | |
| 003 | 911138-5 | PAN HEAD SCREW M4X20 | | 1 | | | | |
| 004 | 182532-0 | HOUSING SET | | 1 | | | | |
| D10 | | INC. 29 | | | | | | |
| 005 | 343579-1 | SET PLATE | | 1 | | | | |
| 006 | 414708-4 | SWITCH LEVER | | 1 | * | | | |
| 006-1 | 415671-4 | SWITCH LEVER | O | 1 | | | | |
| 007 | 651909-5 | SWITCH C3KE | | 1 | * | | | |
| 007-1 | 650500-6 | SWITCH | O | 1 | | | | |
| 008 | 414740-8 | LEVER | | 1 | | | | |
| 009 | 231952-6 | RING SPRING 12 | | 1 | | | | |
| 010 | 267101-9 | FLAT WASHER 14 | | 1 | | | | |
| 011 | 233042-1 | COMPRESSION SPRING 14 | | 1 | | | | |
| 012 | 322537-0 | SLEEVE | | 1 | | | | |
| 013 | 152411-6 | HAMMER CASE COMPLETE | | 1 | | | | |
| 014 | 265925-7 | TAPPING SCREW BT4X20 | | 4 | | | | |
| 015 | 213604-1 | O RING 50 | | 1 | | | | |
| 016 | 267054-2 | FLAT WASHER 18 | | 1 | | | | |
| 017 | 216008-6 | STEEL BALL 4 | | 2 | | | | |
| 018A_ | 322568-9 | ANVIL M | | 1 | | | | |
| 019 | 322527-3 | HAMMER | | 1 | | | | |
| 020 | 216001-0 | STEEL BALL 3.5 | | 29 | | | | |
| 021 | 267088-5 | FLAT WASHER 28 | | 1 | | | | |
| 022 | 233045-5 | COMPRESSION SPRING 30 | | 1 | | | | |
| 023 | 216011-7 | STEEL BALL 5.6 | | 2 | | | | |
| 024 | 153216-7 | SPINDLE COMPLETE | | 1 | | | | |
| 025 | 629638-8 | DC MOTOR 12V | | 1 | | | | |
| C10 | 226404-0 | HELICAL GEAR 15 | | 1 | | | | |
| 026 | 214027-6 | PLANE BEARING 4 | | 1 | | | | |
| 027 | 226115-7 | GEAR COMPLETE 10-38 | | 1 | | | | |
| 028 | 214027-6 | PLANE BEARING 4 | | 1 | | | | |
| 029 | 182532-0 | HOUSING SET | | 1 | | | | |
| D10 | | INC. 4 | | | | | | |
| 031 | 643918-8 | BATTERY HOLDER | | 1 | | | | |
| 032 | 192271-4 | BATTERY 1200 SET EN/FR | | 1 | | | | |
| A01 | 322279-6 | BIT PIECE | | 1 | | | | |
| A02 | 784203-1 | PHILLIPS BIT 2-65 | | 1 | * | | | |
| A02-1 | 784203-1 | PHILLIPS BIT 2-65 | O | 1 | * | | | |
| A02-2 | 784203-1 | PHILLIPS BIT 2-65 | O | 1 | | | | |
| A03 | 784209-9 | PHILLIPS BIT 3-65 | | 1 | | | | |
| A04-1 | 824399-7 | PLASTIC CARRYING CASE | | 1 | * | | | |
| C10 | 182935-8 | SLIDE LATCH (R.L) SET | | 1 | * | | | |
| A04-2 | 824620-4 | PLASTIC CARRYING CASE | X | 1 | | | | |
| C10 | 182935-8 | SLIDE LATCH (R.L) SET | | 1 | | | | |

Please order the parts with part number.

Print Date 9/10/2023

Model No.6911D CORDLESS IMPACT DRIVER

| Item | Parts No. | Description | I/C | Qty | New/Old | Opt. 1 | Opt. 2 | Note |
|------|-----------|---------------|-----|-----|---------|--------|--------|------|
| A05 | 414938-7 | BATTERY COVER | | 1 | | | | |

Please order the parts with part number.

Print Date 9/10/2023