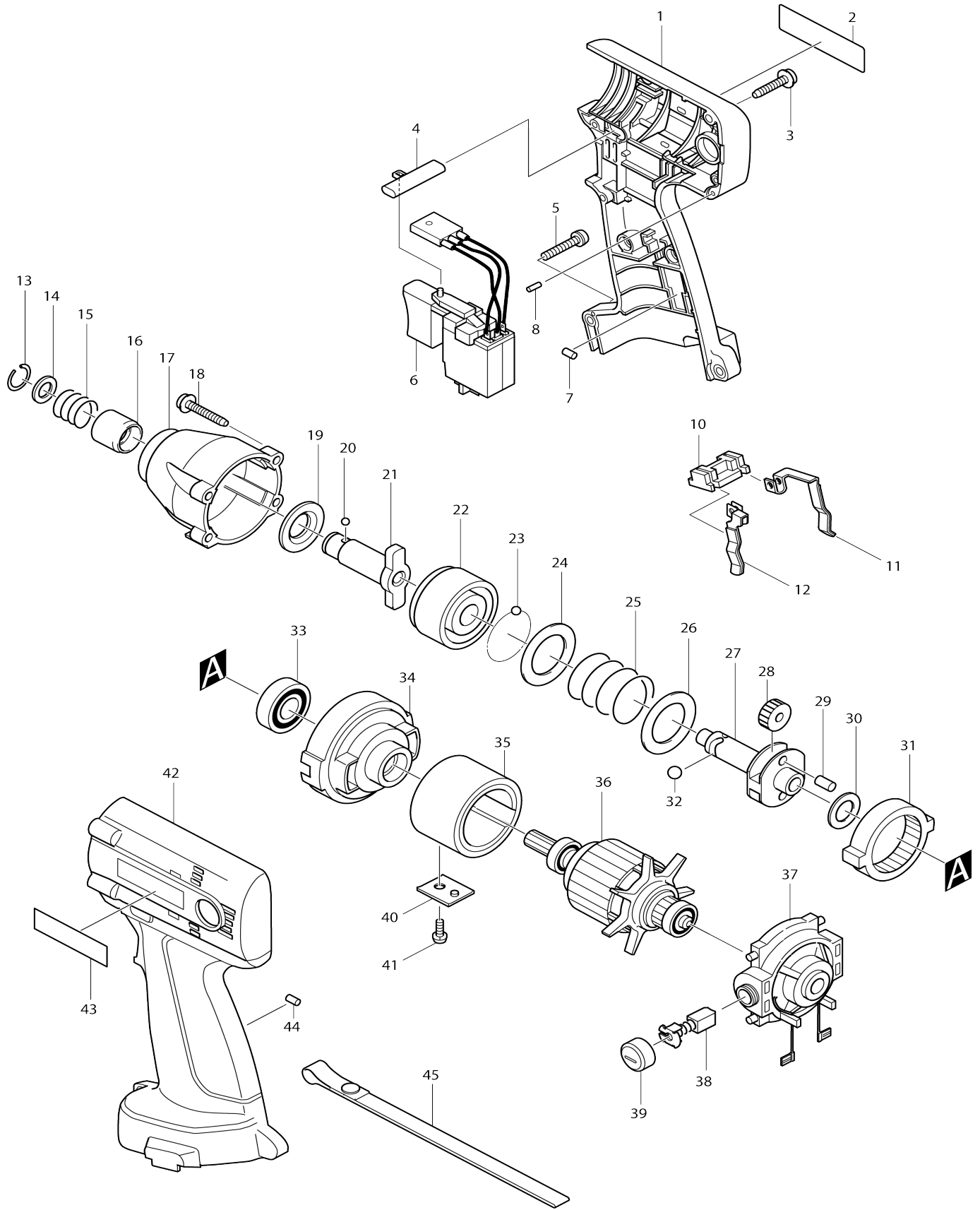


Model No.6916D CORDLESS IMPACT DRIVER



Model No.6916D CORDLESS IMPACT DRIVER

Item No.	Parts No.	Description	Interc hang eabilit y	Q'ty	New/ Old	Note1	Note2
001	183237-5	HOUSING SET		1			
D10		INC. 7,42,44					
002	852302-8	NAME PLATE 6916D		1			
003	265995-6	TAPPING SCREW 4X18		6			
004	416079-5	F/R CHANGE LEVER		1			
005	911143-2	PAN HEAD SCREW M4X22		1			
006	651989-1	SWITCH		1	*		
006-1	651989-1	SWITCH	O	1			
007	263024-9	RUBBER PIN 4		1			
008	256176-3	PIN 2.5		1			
010	687085-9	HOLDER		1			
011	654168-0	SPRING TERMINAL (+)		1	*		
011-1	654168-0	SPRING TERMINAL (+)	<	1			
012	654169-8	SPRING TERMINAL (-)		1	*		
012-1	654169-8	SPRING TERMINAL (-)	<	1			
013	231951-8	RING SPRING 11		1			
014	267085-1	FLAT WASHER 12		1			
015	233005-7	COMPRESSION SPRING 13		1			
016	322434-0	SLEEVE		1	*		
016-1	324420-7	SLEEVE	O	1			
017	151947-2	HAMMMER CASE COMPLETE		1	*		
017-1	151947-2	HAMMMER CASE COMPLETE	<	1	*		
017-2	153778-5	HAMMER CASE COMPLETE	O	1			
018	265999-8	TAPPING SCREW 4X25		4			
019	261108-7	NYLON WASHER 14		1			
020	216001-0	STEEL BALL 3.5		2			
021A_	324013-0	ANVIL M		1			
022	323996-1	HAMMER		1			
023	216001-0	STEEL BALL 3.5		25	*		
023-1	216001-0	STEEL BALL 3.5	O	24			
024	267175-0	FLAT WASHER 24		1			
025	233276-6	COMPRESSION SPRING 25		1			
026	267175-0	FLAT WASHER 24		1	*		
026-1	267766-7	CUP WASHER 14	S	1			
027	323994-5	SPINDLE		1	*		
027-1	324220-5	SPINDLE	S	1			
028	226336-1	SPUR GEAR 22		2	*		
028-1	227362-3	SPUR GEAR 22	<	2			
029	256253-1	PIN 5		2			
030	267212-0	FLAT WASHER 12		1			
031	227001-5	INTERNAL GEAR 51		1			
032	216011-7	STEEL BALL 5.6		2			
033	211140-1	BALL BEARING 6901LLB		1			
034	417269-3	INTERNAL GEAR CASE		1			
035	632964-6	YOKE UNIT		1			
036	619057-6	ARMATURE		1			
037	632969-6	ENDBELL COMPLETE		1	*		

C10	654069-2	RECEPTACLE		2	*		
037-1	638103-6	ENDBELL COMPLETE	<	1			
C10	654069-2	RECEPTACLE		2			
C20	263025-7	RUBBER PIN 4		4			
038	191975-5	CARBON BRUSH CB-431		1	*		
038-1	193466-2	CARBON BRUSH CB-434	O	1	*		
038-2	195020-8	CARBON BRUSH CB-434	O	1			
039	643933-2	BRUSH HOLDER CAP		2			
040	689096-0	FET SPACER		1			
041	266170-7	TAPPING SCREW ST3X8		1			
042	183237-5	HOUSING SET		1			
D10		INC. 1,7,44					
043	819063-3	MAKITA LABEL		1			
044	263024-9	RUBBER PIN 4		1			
A01	414938-7	BATTERY COVER		1			
A02C_	192597-4	BATTERY 1222 SET		1			
A03	824489-6	PLASTIC CARRYING CASE		1	*		
C10	186347-7	SLIDE LATCH SET		1	*		
A03-1	824635-1	PLASTIC CARRYING CASE	X	1			
C10	186347-7	SLIDE LATCH SET		1			
C20	819143-5	MAKITA LABEL		1			
E01	414938-7	BATTERY COVER		1			
E03	192597-4	BATTERY 1222 SET		1			
A02A_	193100-4	BATTERY 1234 SET		1	*		
A02A 1	193100-4	BATTERY 1234 SET	O	1			
E05	193100-4	BATTERY 1234 SET		1	*		
E05-1	193100-4	BATTERY 1234 SET	O	1			

Please state Parts No. when your order.

Print Date 18/09/2023