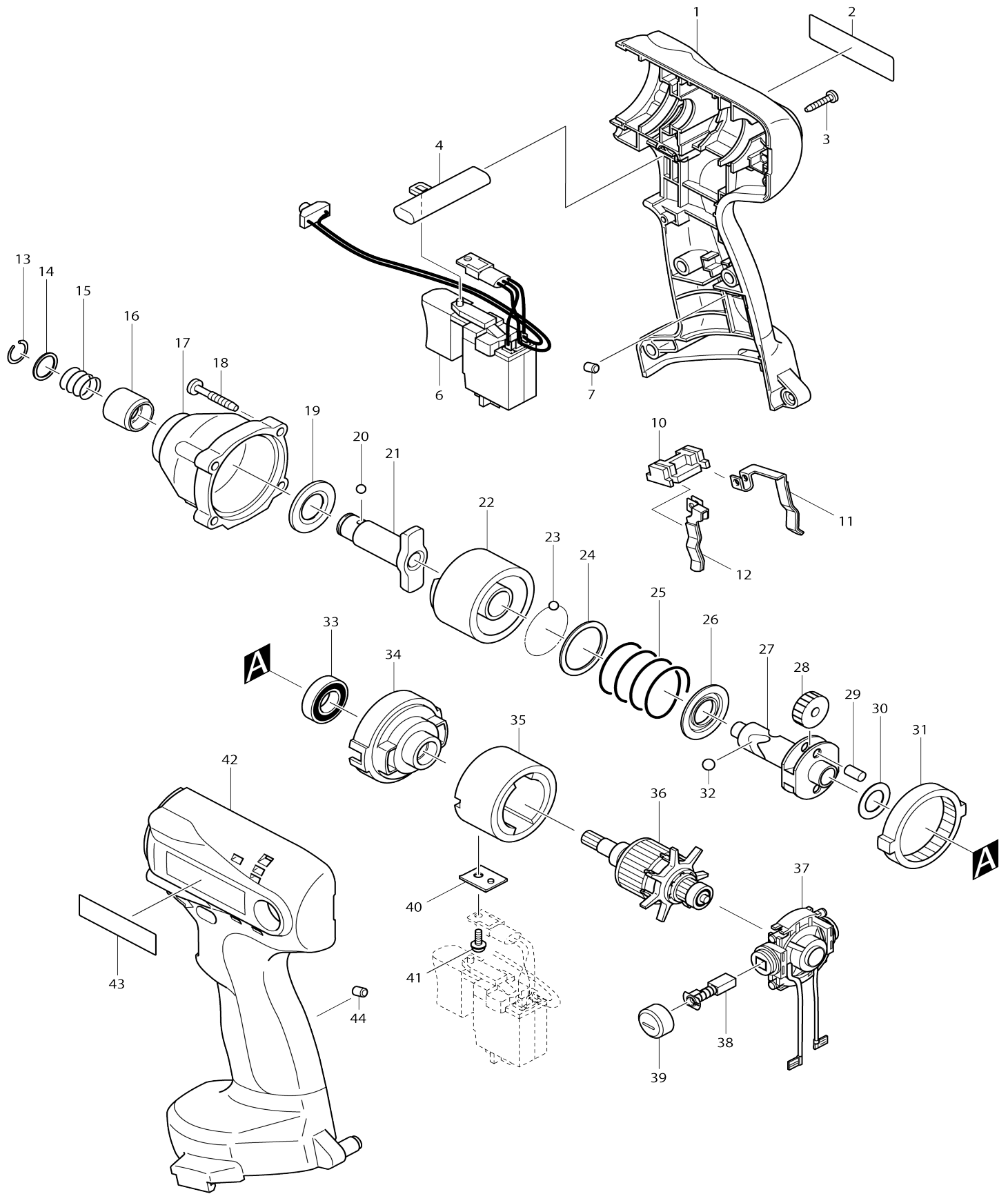


Model No.6916FD CORDLESS IMPACT DRIVER



Model No.6916FD CORDLESS IMPACT DRIVER

Item No.	Parts No.	Description	Interchangability	Q'ty	New/Old	Note1	Note2
001	183694-7	HOUSING SET		1	*		
D10		INC. 7,42-44					
001-1	183694-7	HOUSING SET	O	1			
D10		INC.7,42,44					
002	850903-6	NAME PLATE 6916FD		1	*		
002-1	860469-8	NAME PLATE 6916FD	X	1			
003	266130-9	TAPPING SCREW BIND PT 3X16		8			
004	416079-5	F/R CHANGE LEVER		1			
006	638288-8	SWITCH UNIT		1	*		
006-1	638288-8	SWITCH UNIT	O	1			
007	263024-9	RUBBER PIN 4		1			
010	687085-9	HOLDER		1			
011	654168-0	SPRING TERMINAL (+)		1	*		
011-1	654168-0	SPRING TERMINAL (+)	<	1			
012	654169-8	SPRING TERMINAL (-)		1	*		
012-1	654169-8	SPRING TERMINAL (-)	<	1			
013	231951-8	RING SPRING 11		1			
014	267085-1	FLAT WASHER 12		1			
015	233005-7	COMPRESSION SPRING 13		1			
016	322434-0	SLEEVE		1	*		
016-1	324420-7	SLEEVE	O	1			
017	151947-2	HAMMMER CASE COMPLETE		1	*		
017-1	151947-2	HAMMMER CASE COMPLETE	<	1	*		
017-2	153778-5	HAMMER CASE COMPLETE	O	1			
018	265999-8	TAPPING SCREW 4X25		4			
019	261108-7	NYLON WASHER 14		1			
020	216001-0	STEEL BALL 3.5		2	*		
020-1	216040-0	STEEL BALL 3.5	O	2			
021	324013-0	ANVIL M		1			
022	323996-1	HAMMER		1			
023	216001-0	STEEL BALL 3.5		24	*		
023-1	216040-0	STEEL BALL 3.5	O	24			
024	267175-0	FLAT WASHER 24		1			
025	233276-6	COMPRESSION SPRING 25		1			
026	267766-7	CUP WASHER 14		1			
027	324220-5	SPINDLE		1			
028	226336-1	SPUR GEAR 22		2	*		
028-1	227362-3	SPUR GEAR 22	<	2			
029	256253-1	PIN 5		2			
030	267212-0	FLAT WASHER 12		1			
031	227001-5	INTERNAL GEAR 51		1			
032	216011-7	STEEL BALL 5.6		2	*		
032-1	216041-8	STEEL BALL 5.6	O	2			
033	211140-1	BALL BEARING 6901LLB		1	*		
033-1	211150-8	BALL BEARING 6901ZZ	O	1			
034	417269-3	INTERNAL GEAR CASE		1			
035	632964-6	YOKE UNIT		1			

036	619057-6	ARMATURE		1		
037	638156-5	ENDBELL COMPLETE		1		
038	193466-2	CARBON BRUSH CB-434		1	*	
038-1	195020-8	CARBON BRUSH CB-434	O	1		
039	643933-2	BRUSH HOLDER CAP		2		
040	689096-0	FET SPACER		1		
041	266170-7	TAPPING SCREW ST3X8		1		
042	183694-7	HOUSING SET		1	*	
D10		INC. 1,7,43,44				
042-1	183694-7	HOUSING SET	O	1		
D10		INC.1,7,44				
043	819063-3	MAKITA LABEL		1	*	
044	263024-9	RUBBER PIN 4		1		
A01	414938-7	BATTERY COVER		2		
A02	193100-4	BATTERY 1234 SET		2	*	
A02-1	193100-4	BATTERY 1234 SET	O	2		
A03	***DC1414	DC1414 BATTERY CHARGER		1		
A04	824635-1	PLASTIC CARRYING CASE		1		
C10	186347-7	SLIDE LATCH SET		1		
C20	819143-5	MAKITA LABEL		1		
F20	194281-7	STOPPER SET (W/BITS)		1		

Please state Parts No. when your order.

Print Date 11/17/2023