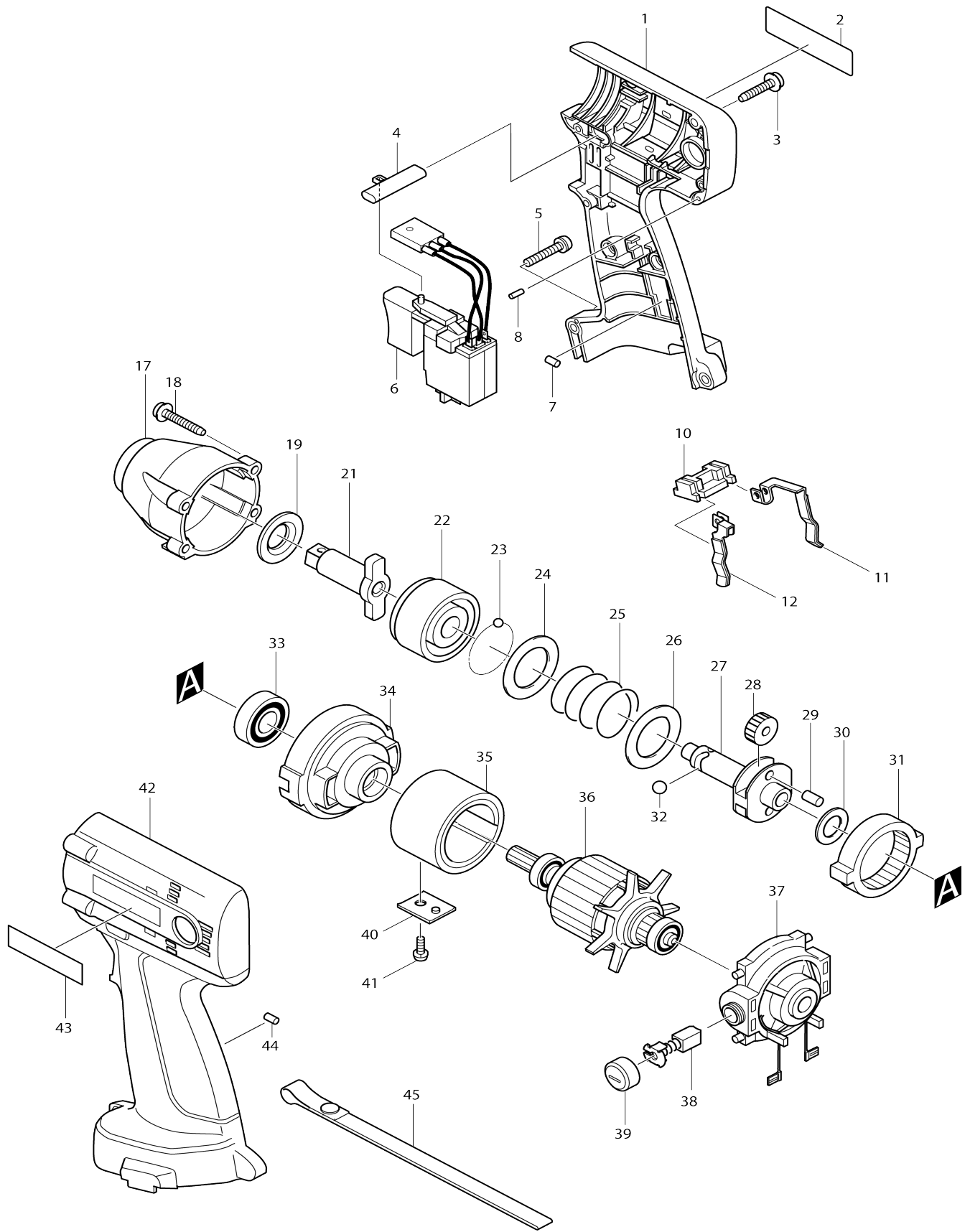


Model No.6918D CORDLESS IMPACT WRENCH



Model No.6918D CORDLESS IMPACT WRENCH

Item No.	Parts No.	Description	Interchangeability	Q'ty	New/Old	Note1	Note2
001	183237-5	HOUSING SET		1			
D10		INC. 7,42,44					
002	852303-6	NAME PLATE 6918D		1			
003	265995-6	TAPPING SCREW 4X18		6			
004	416079-5	F/R CHANGE LEVER		1			
005	911143-2	PAN HEAD SCREW M4X22		1			
006	651989-1	SWITCH		1	*		
006-1	651989-1	SWITCH	O	1			
007	263024-9	RUBBER PIN 4		1			
008	256176-3	PIN 2.5		1			
010	687085-9	HOLDER		1			
011	654168-0	SPRING TERMINAL (+)		1	*		
011-1	654168-0	SPRING TERMINAL (+)	<	1			
012	654169-8	SPRING TERMINAL (-)		1	*		
012-1	654169-8	SPRING TERMINAL (-)	<	1			
017	151946-4	HAMMER CASE COMPLETE		1	*		
017-1	153873-1	HAMMER CASE COMPLETE	O	1			
018	265999-8	TAPPING SCREW 4X25		4			
019	261116-8	NYLON WASHER 18		1			
021	323892-3	ANVIL		1			
022	323997-9	HAMMER		1			
023	216001-0	STEEL BALL 3.5		25	*		
023-1	216001-0	STEEL BALL 3.5	O	24			
024	267175-0	FLAT WASHER 24		1			
025	233274-0	COMPRESSION SPRING 25		1			
026	267175-0	FLAT WASHER 24		1	*		
026-1	267766-7	CUP WASHER 14	S	1			
027	323994-5	SPINDLE		1	*		
027-1	324220-5	SPINDLE	S	1			
028	226336-1	SPUR GEAR 22		2	*		
028-1	227362-3	SPUR GEAR 22	<	2			
029	256253-1	PIN 5		2			
030	267212-0	FLAT WASHER 12		1			
031	227001-5	INTERNAL GEAR 51		1			
032	216011-7	STEEL BALL 5.6		2			
033	211140-1	BALL BEARING 6901LLB		1			
034	417269-3	INTERNAL GEAR CASE		1			
035	632965-4	YOKE UNIT		1			
036	619057-6	ARMATURE		1			
037	632969-6	ENDBELL COMPLETE		1	*		
C10	654069-2	RECEPTACLE		2	*		
037-1	638103-6	ENDBELL COMPLETE	<	1			
C10	654069-2	RECEPTACLE		2			
C20	263025-7	RUBBER PIN 4		4			
038	191975-5	CARBON BRUSH CB-431		1	*		
038-1	193466-2	CARBON BRUSH CB-434	O	1	*		
038-2	195020-8	CARBON BRUSH CB-434	O	1			

039	643933-2	BRUSH HOLDER CAP		2		
040	689096-0	FET SPACER		1		
041	266170-7	TAPPING SCREW ST3X8		1		
042	183237-5	HOUSING SET		1		
D10		INC. 1,7,44				
043	819063-3	MAKITA LABEL		1		
044	263024-9	RUBBER PIN 4		1		
A01	213398-8	O RING 24		1		
A02	268057-9	PIN 4		1		
A03	134831-6	SOCKET 19-38 ASS'Y		1	*	
D10		INC. A01,A02				
A03-1	134831-6	SOCKET 19-38 ASS'Y		1		
C10	422B60-8	RUBBER RING21		1		
C20	256A75-5	PIN 4		1		
A04	824489-6	PLASTIC CARRYING CASE		1	*	
C10	186347-7	SLIDE LATCH SET		1	*	
A04-1	824635-1	PLASTIC CARRYING CASE	X	1		
C10	186347-7	SLIDE LATCH SET		1		
C20	819143-5	MAKITA LABEL		1		
A05	414938-7	BATTERY COVER		1		
A06C_	192597-4	BATTERY 1222 SET		1		
E01	414938-7	BATTERY COVER		1		
E03	192597-4	BATTERY 1222 SET		1		
E07	231907-1	RING SPRING 10		1		
A06A_	193100-4	BATTERY 1234 SET		1	*	
A06A 1	193100-4	BATTERY 1234 SET	O	1		
E05	193100-4	BATTERY 1234 SET		1	*	
E05-1	193100-4	BATTERY 1234 SET	O	1		

Please state Parts No. when your order.

Print Date 22/11/2023