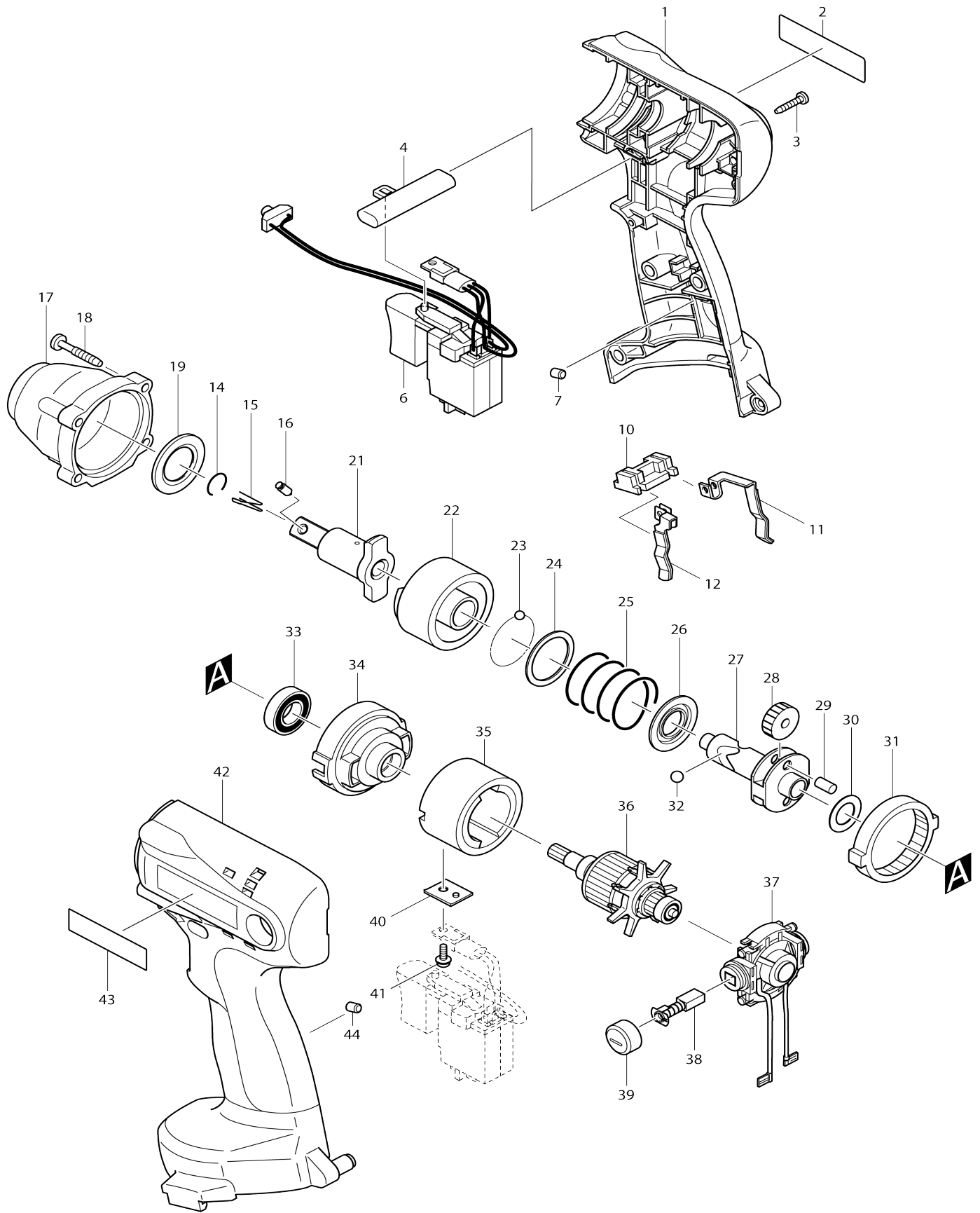


Model No.6918FD CORDLESS IMPACT WRENCH



Model No.6918FD CORDLESS IMPACT WRENCH

Item No.	Parts No.	Description	Interc hang eabilit y	Q'ty	New/ Old	Note1	Note2
001	183694-7	HOUSING SET		1	*		
D10		INC. 7,42-44					
001-1	183694-7	HOUSING SET	O	1			
D10		INC.7,42,44					
002	850906-0	NAME PLATE 6918FD		1	*		
002-1	861115-6	NAME PLATE 6918FD	X	1			
003	266130-9	TAPPING SCREW BIND PT 3X16		8			
004	416079-5	F/R CHANGE LEVER		1			
006	638288-8	SWITCH UNIT		1	*		
006-1	638288-8	SWITCH UNIT	O	1			
007	263024-9	RUBBER PIN 4		1			
010	687085-9	HOLDER		1			
011	654168-0	SPRING TERMINAL (+)		1	*		
011-1	654168-0	SPRING TERMINAL (+)	<	1			
012	654169-8	SPRING TERMINAL (-)		1	*		
012-1	654169-8	SPRING TERMINAL (-)	<	1			
014	231907-1	RING SPRING 10		1			
017	151946-4	HAMMER CASE COMPLETE		1	*		
017-1	153873-1	HAMMER CASE COMPLETE	O	1	*		
017-2	144364-3	HAMMER CASE COMPLETE	O	1			
018	265999-8	TAPPING SCREW 4X25		4			
019	261116-8	NYLON WASHER 18		1			
021	323892-3	ANVIL		1			
022	323997-9	HAMMER		1			
023	216001-0	STEEL BALL 3.5		24	*		
023-1	216040-0	STEEL BALL 3.5	O	24			
024	267175-0	FLAT WASHER 24		1			
025	233274-0	COMPRESSION SPRING 25		1			
026	267766-7	CUP WASHER 14		1			
027	324220-5	SPINDLE		1			
028	226336-1	SPUR GEAR 22		2	*		
028-1	227362-3	SPUR GEAR 22	<	2			
029	256253-1	PIN 5		2			
030	267212-0	FLAT WASHER 12		1			
031	227001-5	INTERNAL GEAR 51		1			
032	216011-7	STEEL BALL 5.6		2	*		
032-1	216041-8	STEEL BALL 5.6	O	2			
033	211140-1	BALL BEARING 6901LLB		1	*		
033-1	211150-8	BALL BEARING 6901ZZ	O	1			
034	417269-3	INTERNAL GEAR CASE		1			
035	632965-4	YOKE UNIT		1			
036	619057-6	ARMATURE		1			
037	638156-5	ENDBELL COMPLETE		1			
038	193466-2	CARBON BRUSH CB-434		1	*		
038-1	195020-8	CARBON BRUSH CB-434	O	1			
039	643933-2	BRUSH HOLDER CAP		2			
040	689096-0	FET SPACER		1			

041	266170-7	TAPPING SCREW ST3X8		1		
042	183694-7	HOUSING SET		1	*	
D10		INC. 1,7,43,44				
042-1	183694-7	HOUSING SET	O	1		
D10		INC.1,7,44				
043	819063-3	MAKITA LABEL		1	*	
044	263024-9	RUBBER PIN 4		1		
A01	***DC1414	DC1414 BATTERY CHARGER		1		
A02	192597-4	BATTERY 1222 SET		2		
A03	414938-7	BATTERY COVER		2		
A04	824635-1	PLASTIC CARRYING CASE		1		
C10	186347-7	SLIDE LATCH SET		1		
C20	819143-5	MAKITA LABEL		1		
A05	134831-6	SOCKET 19-38 ASS'Y		1	*	
C10	213398-8	O RING 24		1	*	
C20	268057-9	PIN 4		1	*	
A05-1	134831-6	SOCKET 19-38 ASS'Y		1		
C10	422B60-8	RUBBER RING21		1		
C20	256A75-5	PIN 4		1		
A02	193100-4	BATTERY 1234 SET		2	*	
A02-1	193100-4	BATTERY 1234 SET	O	2		
A02	193059-5	BATTERY 1235 SET		2	*	
A02-1	193059-5	BATTERY 1235 SET	O	2		

Please state Parts No. when your order.

Print Date 22/11/2023