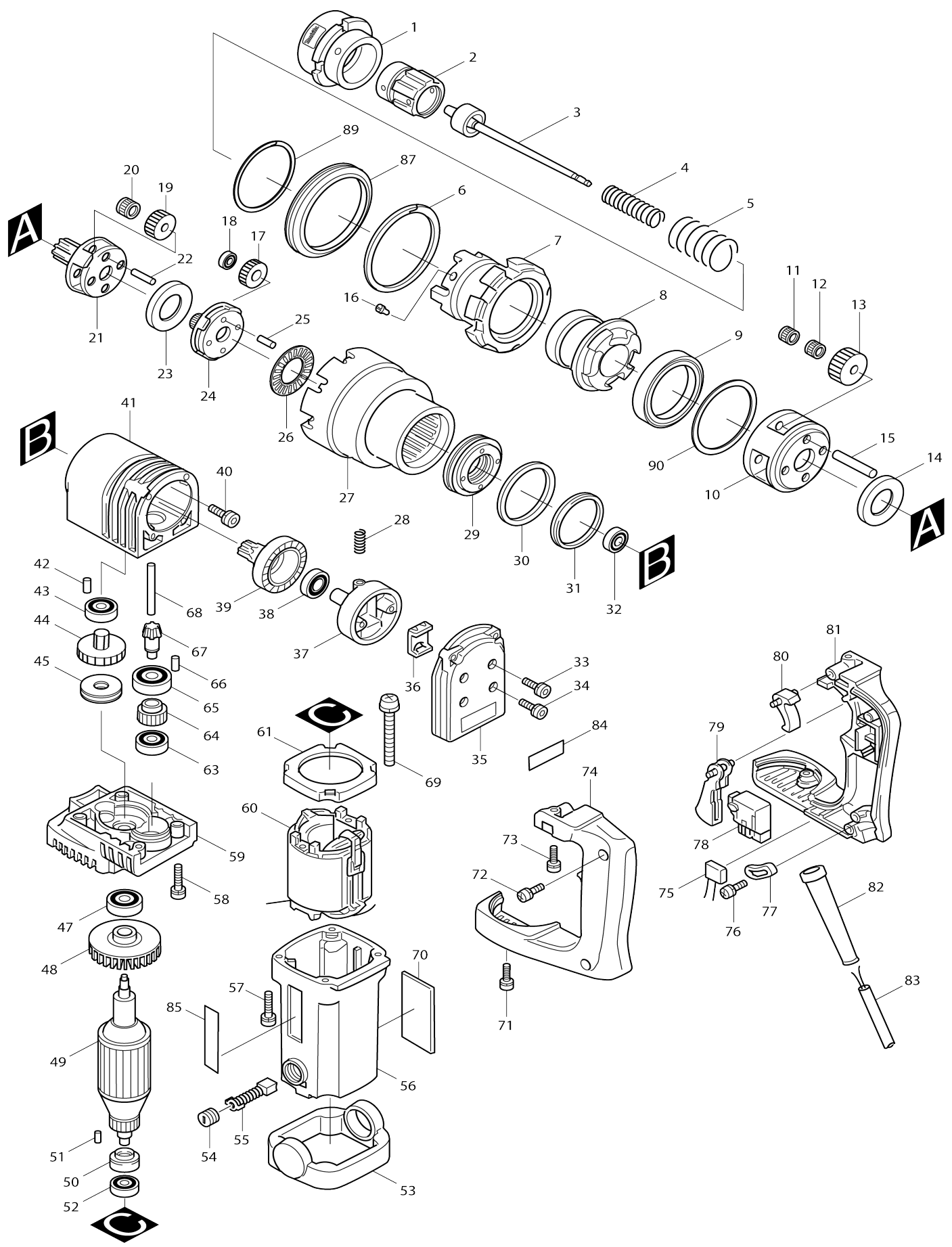


Model No.6922NB SHEAR WRENCH



Model No.6922NB SHEAR WRENCH

Item No.	Parts No.	Description	Interchangeability	Q'ty	New/Old	Note1	Note2
001	764319-8	OUTER SLEEVE 22-39		1	*		
001-1	764360-1	OUTER SLEEVE 22-39	<	1	*		
001-2	153909-6	OUTER SLEEVE 22-39 COMPLETE	O	1			
002	764322-9	INNER SLEEVE 22-39 COMPLETE		1	*		
002-1	764348-1	INNER SLEEVE 22-39 COMPLETE	<	1	*		
002-2	764393-6	INNER SLEEVE 22-39 COMPLETE	<	1	*		
002-3	764423-3	INNER SLEEVE 22-39 COMPLETE	O	1			
003	165074-9	CHIP ROD		1			
004	233087-9	COMPRESSION SPRING 13		1			
005	233086-1	COMPRESSION SPRING 25		1	*		
005-1	234143-8	COMPRESSION SPRING 25	<	1			
006	257919-6	SPIRO LOCK WASHER 72		1	*		
006-1	257940-5	SPIRO LOCK WASHER 70	S	1			
007	322671-6	OUTER SUPPORT		1	*		
007-1	324448-5	OUTER SUPPORT	S	1	*		
007-2	325688-8	OUTER SUPPORT	O	1			
008	152447-5	INNER SUPPORT COMPLETE		1	*		
C10	214551-9	PLANE BEARING 41.5		1	*		
008-1	153872-3	INNER SUPPORT COMPLETE	S	1			
009	211653-2	BALL BEARING 6811		1	*		
009-1	211611-8	BALL BEARING 6810	S	1			
010	311943-4	CARRIER		1	*		
010-1	310147-5	CARRIER	S	1			
011	212072-5	NEEDLE CAGE 1010		4	*		
011-1	212954-1	NEEDLE CAGE 810	S	4			
012	212072-5	NEEDLE CAGE 1010		4	*		
012-1	212954-1	NEEDLE CAGE 810	S	4			
013	226272-1	SPUR GEAR 20		4	*		
013-1	227117-6	SPUR GEAR 20	S	4			
014	216207-0	WASHER 2542		1			
015	256229-8	PIN 10		4	*		
015-1	256228-0	PIN 8	S	4			
016	266022-2	- SET SCREW(DOG POINT) M8X8		2			
017	226269-0	SPUR GEAR 25		4			
018	211044-7	BALL BEARING 694		4			
019	226270-5	SPUR GEAR 25		4			
020	212027-0	NEEDLE CAGE 811		4	*		
020-1	212954-1	NEEDLE CAGE 810	O	4			
021	226275-5	SPUR GEAR 11		1			
022	256227-2	PIN 8		4			
023	216207-0	WASHER 2542		1			
024	226273-9	SPUR GEAR 14		1			
025	256226-4	PIN 4		4			
026	216207-0	WASHER 2542		1	*		
026-1	216403-0	THRUST NEEDLE GAUGE 1528	X	1			
027	226277-1	INTERNAL GEAR 53-66		1	*		
027-1	227118-4	INTERNAL GEAR 53-66	S	1			

028	233098-4	COMPRESSION SPRING 4		1		
029	322667-7	BRACKET		1	*	
029-1	323855-9	BRACKET	S	1		
030	257929-3	SPIRO LOCK WASHER 52		1		
031	257186-3	RING 44		1		
032	211221-1	BALL BEARING 6902		1		
033	911118-1	PAN HEAD SCREW M4X12		2		
034	922123-3	HEX. SOCKET HEAD BOLT M4X14		4		
035	415353-8	REAR COVER		1	*	
035-1	413T74-6	REAR COVER	S	1		
036	344062-1	STOPPER PLATE		1		
037	311930-3	ROD SUPPORTER		1		
038	211082-9	BALL BEARING 699		1		
039	226812-5	GEAR 14-41		1		
040	922123-3	HEX. SOCKET HEAD BOLT M4X14		4		
041-1	159930-3	GEAR CASE COMPLETE		1		
D10		INC. 42,66				
042	263002-9	RUBBER PIN 4		1		
043-1	210013-5	BALL BEARING 698VV		1		
044-1	226475-7	HELICAL GEAR 30		1		
045-1	212048-2	THRUST NEEDLE BEARING 617		1		
047-1	211097-6	BALL BEARING 6000LLB		1		
048	241873-4	FAN 55		1		
049C1	517193-1	ARMATURE ASS'Y 220V		1		
D10		INC. 48,50,52				
050	681614-0	INSULATION WASHER		1		
051	263014-2	RUBBER PIN 4		1		
052	211028-5	BALL BEARING 627LB		1		
053	421485-1	PROTECTOR		1		
054	643550-8	BRUSH HOLDER CAP 5-8		2		
055A_	191940-4	CARBON BRUSH CB-411		1		
056	159675-3	MOTOR HOUSING COMPLETE		1		
C11	643932-4	BRUSH HOLDER 6X9		2		
D10		INC. 51				
057-1	922909-5	HEX. SOCKET HEAD BOLT M4X35		4		
058	922148-7	HEX. SOCKET HEAD BOLT M4X25		4		
059-3	134788-1	GEAR HOUSING ASS'Y		1		
C10	344470-6	BEARING RETAINER		1		
C20	911111-5	PAN HEAD SCREW M4X10 WITH W		3		
D10		INC. 47				
060C_	593268-0	FIELD ASS'Y 220V		1	*	
C10	654100-4	RING TERMINAL		2	*	
C20	654501-6	CONNECTOR P-1.25		2	*	
060C1	599351-1	FIELD ASSY 220V	<	1		
C10	654100-4	RING TERMINAL		2		
C20	654501-6	CONNECTOR P-1.25		2		
061	415350-4	BAFFLE PLATE		1		
063	211033-2	BALL BEARING 608LB		1	*	
063-1	211031-6	BALL BEARING 608LLB	O	1		
064-1	226476-5	HELICAL GEAR 18		1		
065-1	211097-6	BALL BEARING 6000LLB		1		

066	263002-9	RUBBER PIN 4		1		
067-1	134790-4	GEAR ASS'Y		1		
C10	226711-1	SPIRAL BEVEL GEAR 12		1		
D10		INC. 63,64,65				
068	256225-6	PIN 4		1		
069	911596-5	PAN HEAD SCREW M4X70		2		
070	857485-9	NAME PLATE 6922NB		1		
071	922148-7	HEX. SOCKET HEAD BOLT M4X25		2		
072	265925-7	TAPPING SCREW BT4X20		2		
073	922148-7	HEX. SOCKET HEAD BOLT M4X25		2		
074	182634-2	HANDLE SET		1		
D10		INC. 81				
075B_	645253-0	NOISE SUPPRESSOR		1	*	
075B1	645200-1	NOISE SUPPRESSOR	S	1		
076	265995-6	TAPPING SCREW 4X18		2		
077A_	687052-4	STRAIN RELIEF		1		
078	651835-8	SWITCH SP215C		1		
079	414436-1	SWITCH LEVER		1		
080	311928-0	CHIP LEVER		1		
081	182634-2	HANDLE SET		1		
D10		INC. 74				
082C_	682540-6	CORD GUARD 9.3-90		1	*	
082C1	682505-8	CORD GUARD 10-90	O	1		
083I_	665865-3	POWER SUPPLY CORD 1.0-2-2.5		1		
084	819031-6	MAKITA MARK		1	*	
085	819083-7	MAKITA MARK		1		
086	232146-6	LEAF SPRING		1	*	
087	322788-5	SPACER		1	*	
087-1	324447-7	SPACER	S	1		
088	421497-4	RUBBER RING		1	*	
089	257941-3	SPIRO LOCK WASHER 62		1		
090	267282-9	FLAT WASHER 60		1		
A01	764320-3	OUTER SLEEVE 20-37		1	*	
A01-1	764361-9	OUTER SLEEVE 20-37	<	1		
A02	764323-7	INNER SLEEVE 20-38 COMPLETE		1	*	
A02-1	764349-9	INNER SLEEVE 20-38 COMPLETE	<	1	*	
A02-2	764392-8	INNER SLEEVE 20-38 COMPLETE	<	1	*	
A02-3	764422-5	INNER SLEEVE 20-38 COMPLETE	O	1		
A03	783001-0	(-) SCREWDRIVER 6		1		
A04	150479-6	STEEL CARRYING CASE		1	*	
C10	818129-6	LABEL (# 6922NB)		1	*	
A04-1	823276-0	STEEL CARRYING CASE	O	1		
C10	819143-5	MAKITA LABEL		1		
A05	764350-4	INNER SLEEVE 16-36 COMPLETE		1	*	
A05-1	764391-0	INNER SLEEVE 16-36 COMPLETE	<	1	*	
A05-2	764421-7	INNER SLEEVE 16-36 COMPLETE	O	1		
A06	764362-7	OUTER SLEEVE 16-35		1		

Please state Parts No. when your order.

Print Date 10/24/2023