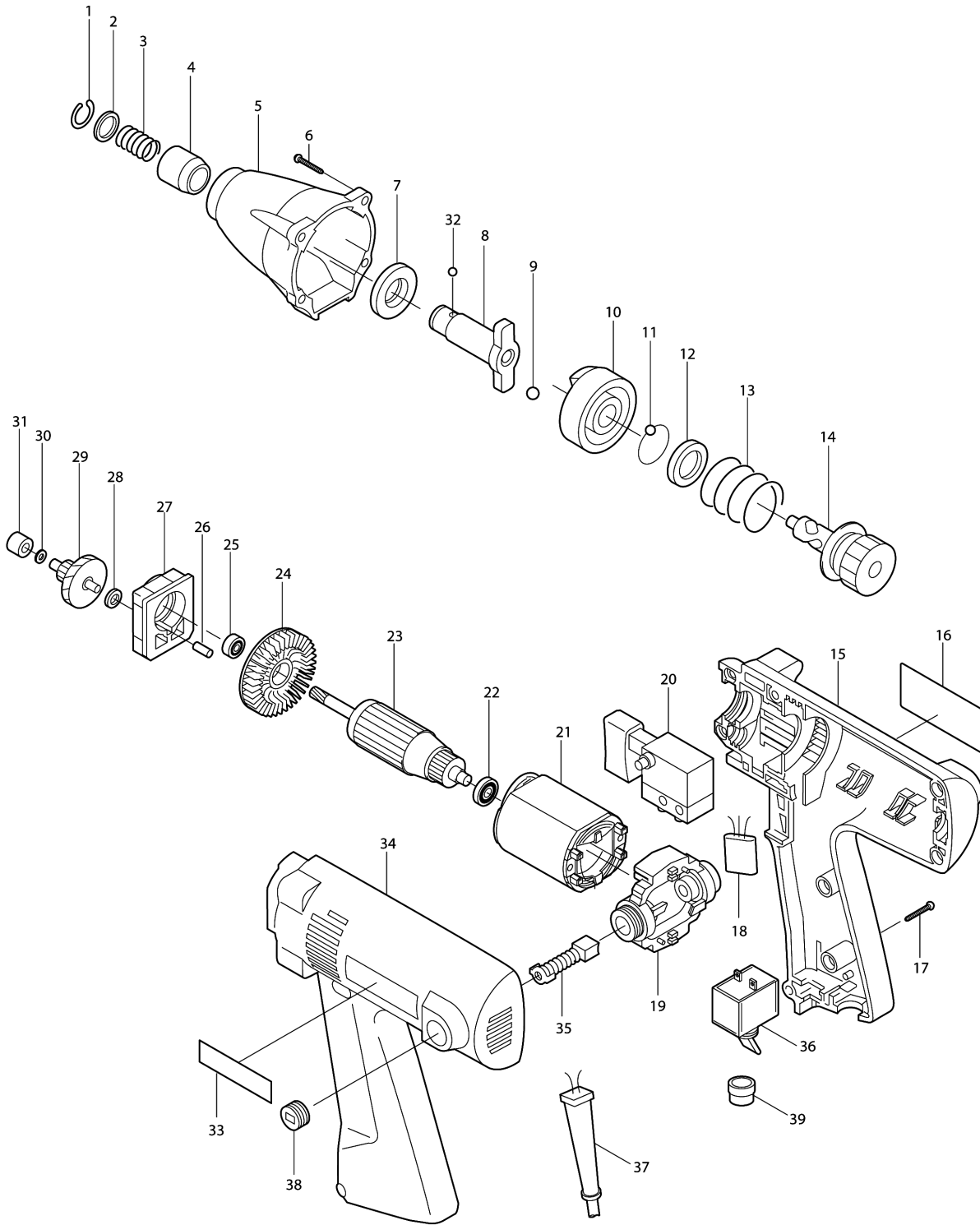


Model No.6950 IMPACT DRIVER



Model No.6950 IMPACT DRIVER

Item	Parts No.	Description	I/C	Qty	New/Old	Opt. 1	Opt. 2	Note
001	231951-8	RING SPRING 11		1				
002	267085-1	FLAT WASHER 12		1				
003	233005-7	COMPRESSION SPRING 13		1				
004	322434-0	SLEEVE		1	*			
004-1	324420-7	SLEEVE	O	1				
005	159749-0	HAMMER CASE COMPLETE		1				
006	265925-7	TAPPING SCREW BT4X20		4				
007	261099-2	NYLON WASHER 14		1				
008A_	322754-2	ANVIL		1	*			
008A1	324267-9	ANVIL M	<	1				
009	216011-7	STEEL BALL 5.6		2				
010	322793-2	HAMMER		1				
011	216001-0	STEEL BALL 3.5		24				
012	267126-3	FLAT WASHER 22		1				
013	233111-8	COMPRESSION SPRING 24		1				
014	153230-3	SPINDLE COMPLETE		1				
015	182727-5	HOUSING SET		1				
D10		INC. 34						
016	857785-7	NAME PLATE 6950		1				
017	265925-7	TAPPING SCREW BT4X20		9				
018A_	645105-5	NOISE SUPPRESSOR		1	*			
019	152475-0	HOLDER ARM COMPLETE		1				
C10	643932-4	BRUSH HOLDER 6X9		2				
020A_	651275-0	SWITCH SGE106FV		1				
021C_	635018-8	FIELD 220V		1				
022	211023-5	BALL BEARING 607LB		1				
023C_	517523-6	ARMATURE ASS'Y 220V		1				
D10		INC. 22,24,25						
024	241885-7	FAN 48		1				
025	211031-6	BALL BEARING 608LLB		1				
026-1	421534-4	EARTH RUBBER PIN		1	*			
027	152465-3	BEARING CASE COMPLETE		1				
D10		INC. 26						
028	267099-0	FLAT WASHER 4		1				
029	226815-9	GEAR COMPLETE 9-34		1				
030	253811-4	FLAT WASHER 5		1				
031	214034-9	PLANE BEARING 5		1				
032	216001-0	STEEL BALL 3.5		2				
033	819063-3	MAKITA LABEL		1				
034	182727-5	HOUSING SET		1				
D10		INC. 15						
035A_	191940-4	CARBON BRUSH CB-411		1	*			
035A1	195010-1	CARBON BRUSH SET CB-411	O	1				
036	651478-6	SWITCH VTX11		1				
037H1	665865-3	POWER SUPPLY CORD 1.0-2-2.5		1				

Please order the parts with part number.

Print Date 24/10/2023

Model No.6950 IMPACT DRIVER

Item	Parts No.	Description	I/C	Qty	New/Old	Opt. 1	Opt. 2	Note
038	643550-8	BRUSH HOLDER CAP 5-8		2				
039	421536-0	DUST COVER		1				
A01	798309-9	PHILLIPS BIT 2-65		1				
A02	824439-1	PLASTIC CARRYING CASE		1				
C10	182935-8	SLIDE LATCH (R.L) SET		1				

Please order the parts with part number.

Print Date 24/10/2023