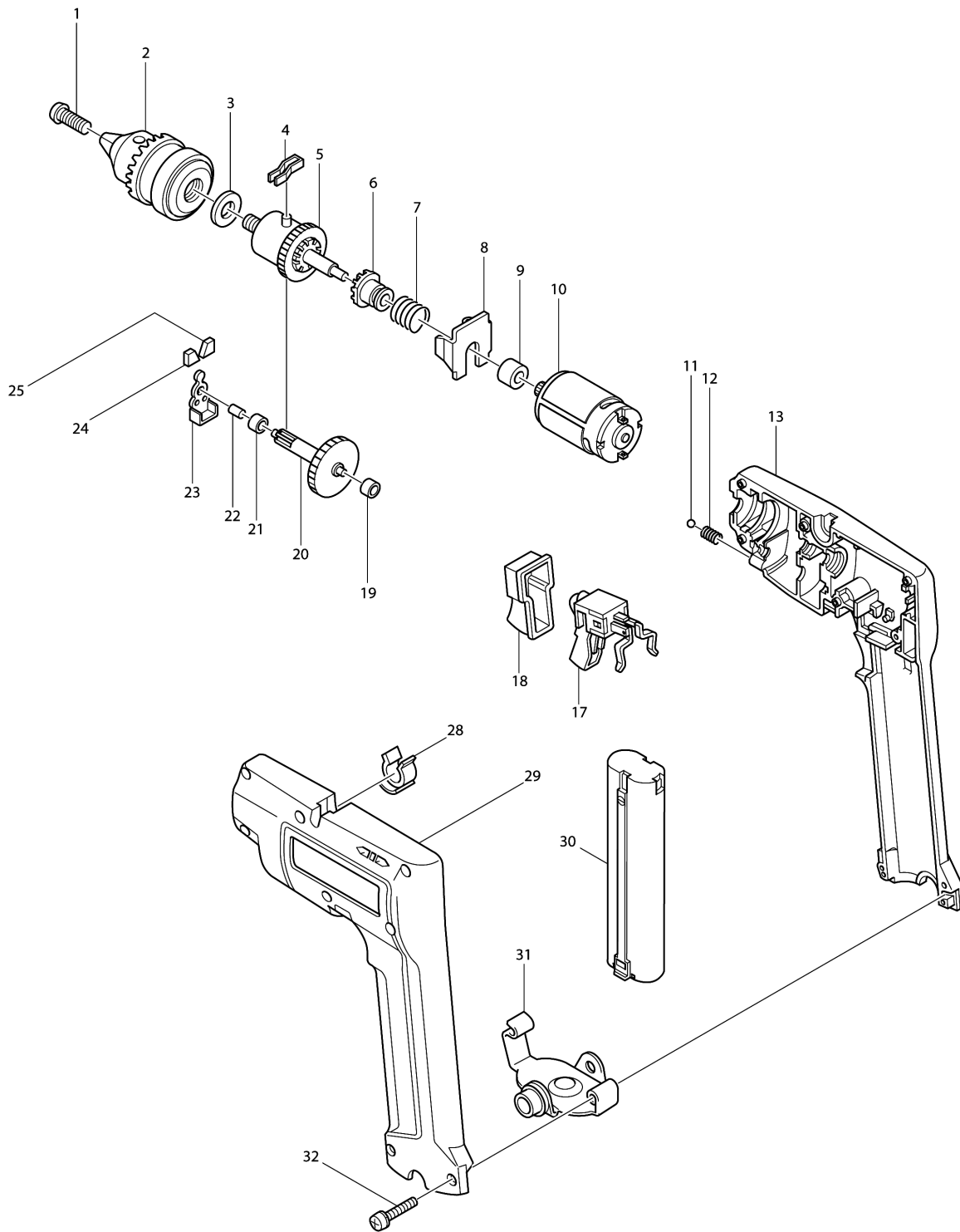


Model No.8400D CORDLESS HAMMER DRILL 10MM



Model No.8400D CORDLESS HAMMER DRILL 10MM

| Item | Parts No. | Description | I/C | Qty | New/Old | Opt. 1 | Opt. 2 | Note |
|-------|-----------|------------------------|-----|-----|---------|--------|--------|------|
| 001-1 | 251448-1 | - PAN HEAD SCREW M5X18 | | 1 | | | | |
| 002-1 | 192879-4 | DRILL CHUCK | | 1 | | | | |
| 003 | 423097-6 | RUBBER PLATE | | 1 | | | | |
| 004 | 342668-9 | GUIDE PLATE | | 1 | | | | |
| 005 | 153147-0 | SPINDLE COMPLETE | | 1 | | | | |
| 006 | 223063-1 | CLUTCH CAM | | 1 | | | | |
| 007 | 231352-0 | COMPRESSION SPRING 17 | | 1 | | | | |
| 008 | 342669-7 | RETAINER | | 1 | | | | |
| 009 | 214014-5 | PLANE BEARING 6 | | 1 | | | | |
| 010-1 | 629574-8 | DC MOTOR 9.6V | | 1 | * | | | |
| C10 | 221867-5 | SPUR GEAR 17 | | 1 | * | | | |
| 010-2 | 629197-2 | DC MOTOR | O | 1 | | | | |
| C10 | 221867-5 | SPUR GEAR 17 | | 1 | | | | |
| 011 | 216002-8 | STEEL BALL 4.8 | | 1 | | | | |
| 012 | 231026-3 | COMPRESSION SPRING 4 | | 1 | | | | |
| 013-4 | 182376-8 | HOUSING SET | | 1 | | | | |
| C10 | 816266-0 | INDICATION LABEL | | 1 | | | | |
| D10 | | INC. 29-4 | | | | | | |
| 015 | 410192-1 | RELAY COVER | | 1 | * | | | |
| 016 | 539036-7 | OVER CURRENT RELAY | | 1 | * | | | |
| 017-2 | 531044-4 | SWITCH ASS'Y | | 1 | | | | |
| 018 | 421243-5 | DUST COVER | | 1 | | | | |
| 019 | 214019-5 | PLANE BEARING 4 | | 1 | | | | |
| 020 | 226067-2 | GEAR COMPLETE 17-76 | | 1 | | | | |
| 021 | 214019-5 | PLANE BEARING 4 | | 1 | | | | |
| 022 | 256047-4 | PIN 6 | | 1 | | | | |
| 023 | 164702-3 | CHANGE LEVER | | 1 | | | | |
| 024 | 423030-8 | RUBBER PLUG | | 1 | | | | |
| 025 | 423030-8 | RUBBER PLUG | | 1 | | | | |
| 027 | 854941-0 | NAME PLATE 8400D | | 1 | | | | |
| 028 | 411640-3 | HOLDER 6 | | 1 | | | | |
| 029-4 | 182376-8 | HOUSING SET | | 1 | | | | |
| C10 | 816266-0 | INDICATION LABEL | | 1 | | | | |
| D10 | | INC. 13-4 | | | | | | |
| 030-1 | 191681-2 | BATTERY 9000 SET | | 1 | | | | |
| 031 | 163157-9 | SET PLATE | | 1 | * | | | |
| 031-1 | 342833-0 | SET PLATE | O | 1 | | | | |
| 032 | 911143-2 | PAN HEAD SCREW M4X22 | | 8 | | | | |
| 033 | 410192-1 | RELAY COVER | | 1 | * | | | |
| 400-2 | 181607-2 | STEEL CARRYING CASE | | 1 | | | | |
| 401 | 763415-9 | CHUCK KEY S10 | | 1 | | | | |
| 402 | 414938-7 | BATTERY COVER | | 1 | | | | |

Please order the parts with part number.

Print Date 9/10/2023