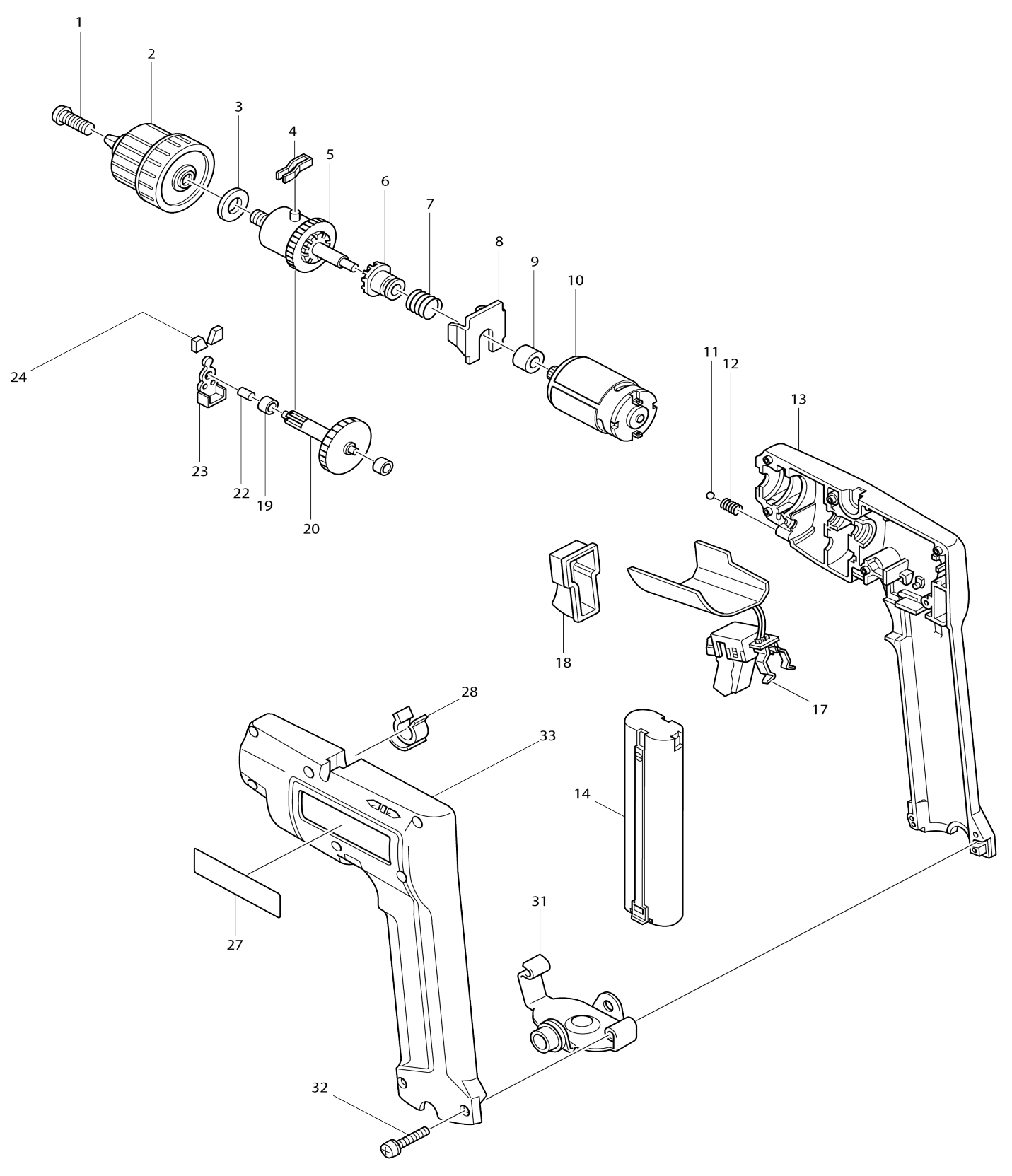


Model No.8402VD CORDLESS HAMMER DRILL



Model No.8402VD CORDLESS HAMMER DRILL

Item No.	Parts No.	Description	Interchangability	Q'ty	New/Old	Note1	Note2
001	251457-0	- PAN HEAD SCREW M5X20		1			
002	192559-2	Keyless drill chuck set 10		1			
003	423097-6	RUBBER PLATE		1			
004	342668-9	GUIDE PLATE		1			
005	153147-0	SPINDLE COMPLETE		1			
006	223063-1	CLUTCH CAM		1			
007	231352-0	COMPRESSION SPRING 17		1			
008	342669-7	RETAINER		1			
009	214014-5	PLANE BEARING 6		1			
010	629574-8	DC MOTOR 9.6V		1	*		
C10	221867-5	SPUR GEAR 17		1	*		
010-1	629197-2	DC MOTOR	O	1			
C10	221867-5	SPUR GEAR 17		1			
011	216002-8	STEEL BALL 4.8		1			
012	231026-3	COMPRESSION SPRING 4		1			
013	182881-5	Housing set (blue)		1			
D10		INC. 33					
014	191681-2	BATTERY 9000 SET		1			
017	651914-2	SWITCH TG55A		1			
018	421243-5	DUST COVER		1			
019	214019-5	PLANE BEARING 4		2			
020	226067-2	GEAR COMPLETE 17-76		1			
022	256047-4	PIN 6		1			
023	164702-3	CHANGE LEVER		1			
024	423030-8	RUBBER PLUG		2			
027	857568-5	Name plate 8402VD		1			
028	411640-3	HOLDER 6		1			
031	163157-9	SET PLATE		1			
032	911143-2	PAN HEAD SCREW M4X22		8			
033	182881-5	Housing set (blue)		1			
D10		INC. 13					
034	816266-0	INDICATION LABEL		1			
A01	182792-4	PLASTIC CARRYING CASE		1	*		
A01-1	824723-4	PLASTIC CARRYING CASE	<	1			
C10	183091-7	SLIDE LATCH RL SET		1			
A02	414938-7	BATTERY COVER		1			
B01	***DC9700	DC9700 FAST CHARGER		1	*		
B01-1	***DC9710	DC9710 BATTERY CHARGER	O	1	*		
B01-2	***DC1414	DC1414 BATTERY CHARGER	<	1			
014A_	192696-2	NI-MH BATTERY 9033		1			
B01A_	***DC9701	DC9701 FAST CHARGER		1	*		
B01A1	***DC9711	DC9711 BATTERY CHARGER	O	1	*		
B01A2	***DC1414	DC1414 BATTERY CHARGER	<	1			

Please state Parts No. when your order.

Print Date 10/24/2023