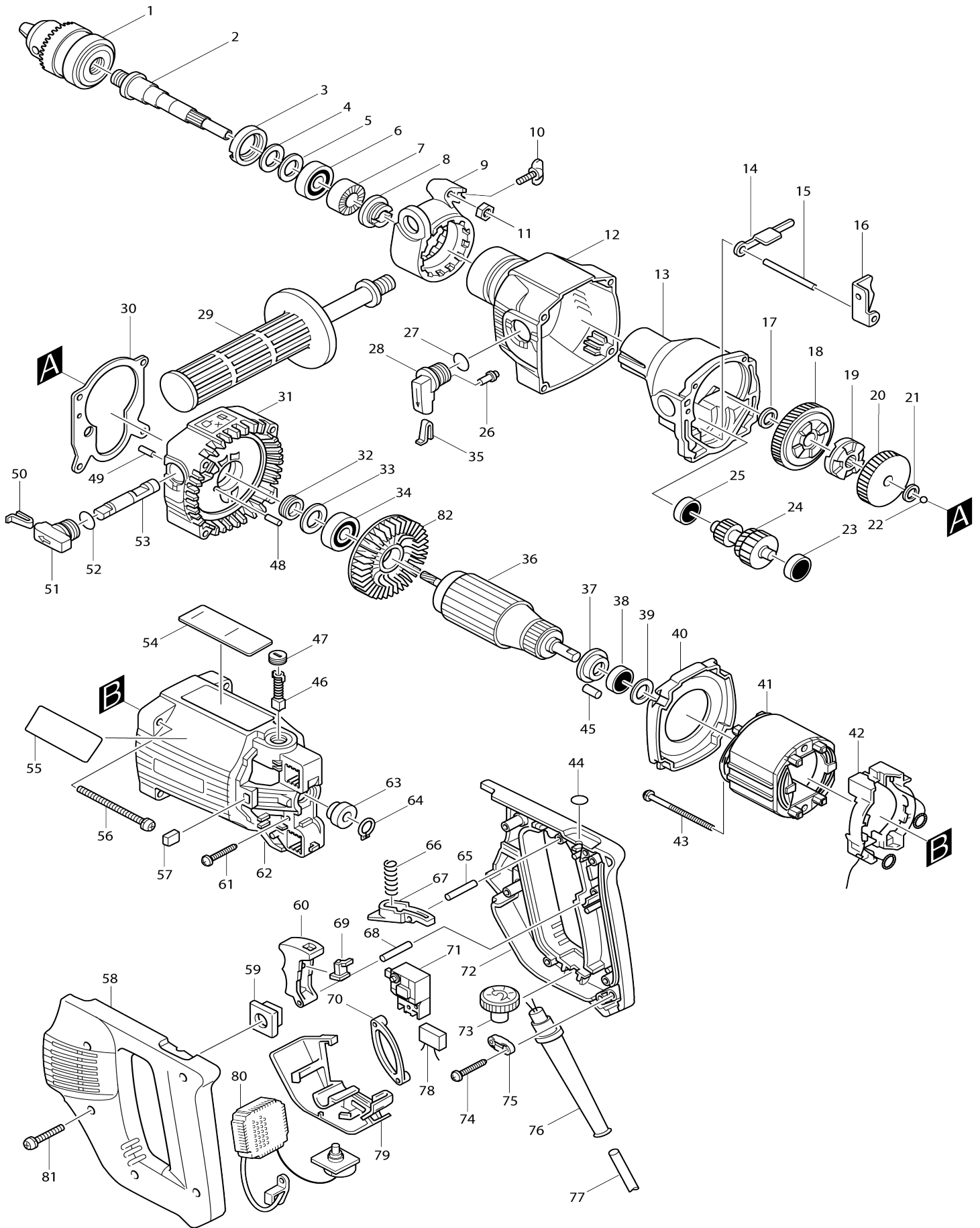


Model No.8406C DIAMOND CORE HAMMER DRILL



Model No.8406C DIAMOND CORE HAMMER DRILL

Item No.	Parts No.	Description	Interchangability	Q'ty	New/Old	Note1	Note2
001-1	192877-8	DRILL CHUCK S13		1			
002-1	323842-8	SPINDLE		1			
003	285827-1	BEARING RETAINER 22-23		1			
004	253316-4	THIN WASHER 16		1			
005	262525-4	FELT RING 15		1			
006-1	211236-8	BALL BEARING 6002DDW		1			
007	223091-6	CAM (A)		1			
008	223092-4	CAM (B)		1			
009	316453-6	GRIP BASE		1			
010	251896-4	SCREW M5X20		1			
011	931202-6	HEX. NUT M5		1			
012-1	159993-9	GEAR HOUSING COMPLETE		1			
C10	817217-6	CAUTION LABEL		1			
013	316451-0	INNER GEAR HOUSING		1			
014	343974-5	SPACE PLATE		1	*		
014-1	343974-5	SPACE PLATE	O	1			
015	256220-6	PIN 5		1			
016	343973-7	CHANGE PLATE		1			
017	253052-2	FLAT WASHER 12		1			
018	150388-9	TORQUE LIMITER COMPLETE		1			
019	223093-2	CLUTCH		1			
020	226408-2	HELICAL GEAR 43		1			
021-1	253835-0	FLAT WASHER 8		1			
022-1	216001-0	STEEL BALL 3.5		1			
023	211031-6	BALL BEARING 608LLB		1			
024	226116-5	GEAR COMPLETE 16-26-29		1			
025	211031-6	BALL BEARING 608LLB		1			
026	256680-2	PIN 3		1			
027	213154-6	O RING 14		1			
028	415161-7	CHANGE LEVER A		1			
029	273472-4	GRIP 32		1			
030	442117-7	GEAR HOUSING PACKING		1			
031	159547-2	GEAR HOUSING COVER		1			
C10	214001-4	PLANE BEARING 8		1			
D10		INC. 48					
032	331417-9	SEAL		1			
033	267108-5	FLAT WASHER 22		1			
034	211101-1	BALL BEARING 6001LLB		1			
035	232127-0	LEAF SPRING		1			
036C_	516173-4	ARMATURE ASS'Y 220V		1			
D10		INC. 34,37,38,82					
037	681625-5	INSULATION WASHER		1			
038	211031-6	BALL BEARING 608LLB		1			
039	253707-9	FLAT WASHER 16		1			
040	415157-8	BAFFLE PLATE		1			
041C_	634173-3	FIELD 220V		1			
042	632462-0	SUPPORT COMPLETE		1			

043-1	266029-8	TAPPING SCREW 5X65		2		
044	819711-4	LABEL		1	*	
045	263002-9	RUBBER PIN 4		1		
046-1	191941-2	CARBON BRUSH CB-251		1	*	
046-2	194547-5	CARBON BRUSH CB-253	<	1	*	
046-3	194994-0	CARBON BRUSH SET CB-253	O	1		
047	643750-0	BRUSH HOLDER CAP 7-11		2	*	
047-1	643515-0	HOLDER CAP 7-11	O	2		
048	263002-9	RUBBER PIN 4		1		
049	256092-9	PIN 4		1		
050	232127-0	LEAF SPRING		1		
051	415162-5	CHANGE LAVER B		1		
052	213154-6	O RING 14		1		
053	322583-3	CHANGE SHAFT		1		
054	857299-6	NAME PLATE 8406C		1		
055	816265-2	INDICATION LABEL		1		
056	911293-3	PAN HEAD SCREW M5X70		4		
057	421447-9	RUBBER BLOCK (B)		2		
058-1	182806-9	HANDLE SET		1	*	
D10		INC. 72				
058-2	183548-2	HANDLE SET	S	1		
D10		INC. 72				
059	421446-1	RUBBER BLOCK (A)		4		
060	415158-6	SWITCH LEVER		1		
061-1	265995-6	TAPPING SCREW 4X18		1		
062-1	159840-4	MOTOR HOUSING COMPLETE		1		
C10	643751-8	BRUSH HOLDER		2		
D10		INC. 45				
063	688105-2	MAGNET SLEEVE		1	*	
063-1	688105-2	MAGNET SLEEVE	O	1		
064	961004-6	RETAINING RING (EXT) S-8		1		
065	256221-4	PIN 3		1		
066	233024-3	COMPRESSION SPRING 4		1		
067	415160-9	LOCK BUTTON		1		
068	256221-4	PIN 3		1		
069	415159-4	SPACER		1		
070	421448-7	RUBBER BAND		1		
071	651922-3	SWITCH TG71B		1	*	
071-1	650677-7	SWITCH C3PA-1112	<	1	*	
071-2	651922-3	SWITCH TG71B	<	1	*	
071-3	650677-7	SWITCH C3PA-1112	<	1		
072-1	182806-9	HANDLE SET		1	*	
D10		INC. 58				
072-2	183548-2	HANDLE SET	S	1		
D10		INC. 58				
073	271413-4	KNOB 28		1		
074	265995-6	TAPPING SCREW 4X18		2		
075C1	687052-4	STRAIN RELIEF		1		
076B_	682540-6	CORD GUARD 9.3-90		1	*	
076B1	682505-8	CORD GUARD 10-90	O	1		
077P_	665865-3	POWER SUPPLY CORD 1.0-2-2.5		1		
078A1	645200-1	NOISE SUPPRESSOR		1		

079	415156-0	CONTROLLER CASE		1		
080A1	631207-3	CONTROLLER 200/220/240V		1		
081-1	265999-8	TAPPING SCREW 4X25		5		
082	241863-7	FAN 70		1		
083	819063-3	MAKITA LABEL		1		
084	253215-0	FLAT WASHER 8		1		
085	256251-5	PIN 4		1		
A02	321059-7	DEPTH GAUGE		1		
A03	410102-8	KEY HOLDER		1		
A04	763432-9	CHUCK KEY S13		1		
A05-1	824522-4	PLASTIC CARRYING CASE		1		
C10	416401-6	LATCH		2	*	
C11	163455-1	LATCH	X	2		

Please state Parts No. when your order.

Print Date 18/09/2023