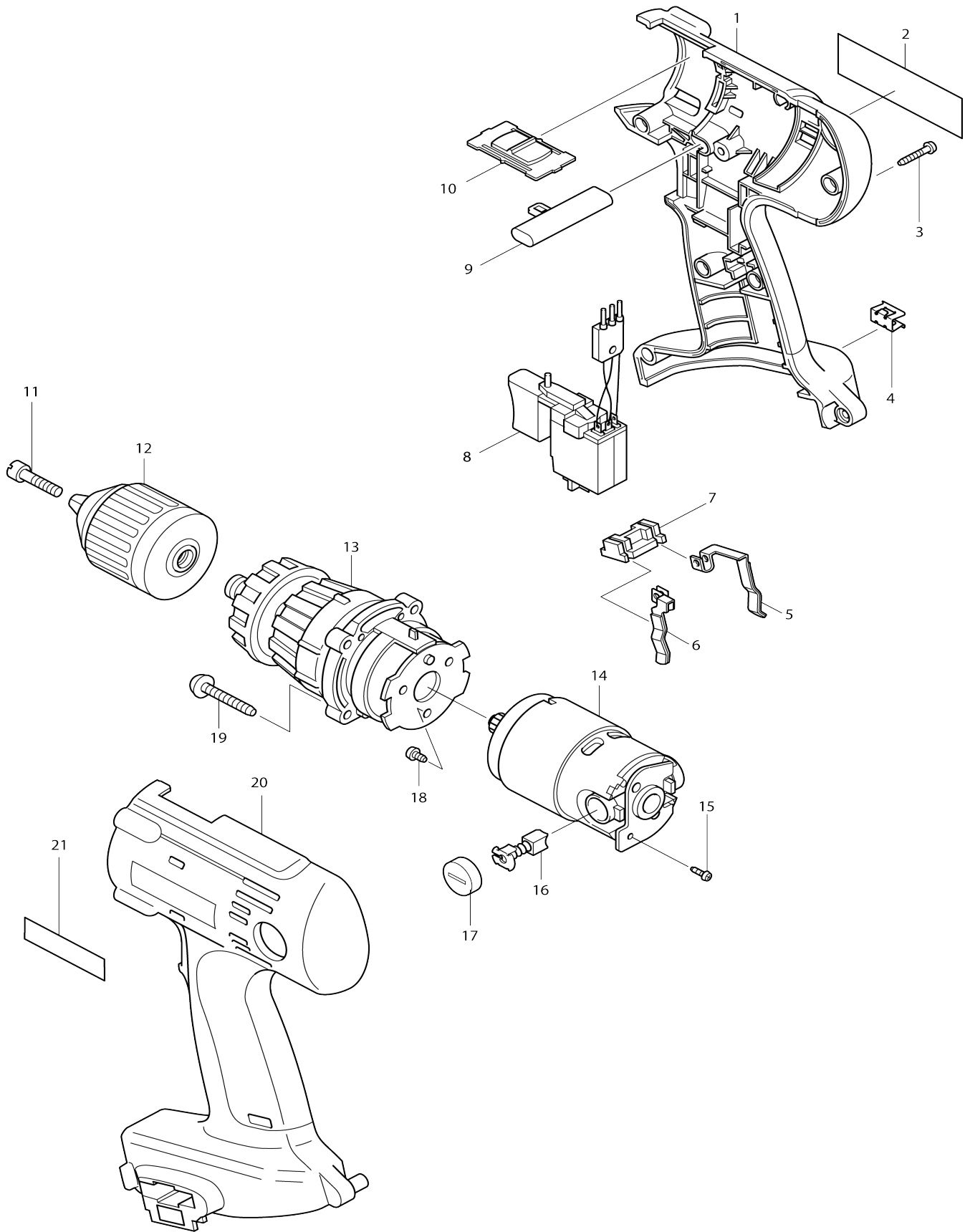


Model No.8443D CORDLESS PERCUSSION-DRIVER DRILL



Model No.8443D CORDLESS PERCUSSN-DRIVER DRILL

Item No.	Parts No.	Description	Interchangeability	Q'ty	New/Old	Note1	Note2
001	183202-4	HOUSING SET		1	*		
D10		INC. 20					
001-1	183208-2	HOUSING SET	X	1			
C10	263024-9	RUBBER PIN 4		2			
D10		INC. 20,21					
002	852117-3	NAME PLATE 8443D		1	*		
002-1	853585-3	NAME PLATE 8443D	O	1			
003	266130-9	TAPPING SCREW BIND PT 3X16		8			
004	344391-2	BIT HOLDER		2			
005	654168-0	SPRING TERMINAL (+)		1	*		
005-1	654168-0	SPRING TERMINAL (+)	<	1			
006	654169-8	SPRING TERMINAL (-)		1	*		
006-1	654169-8	SPRING TERMINAL (-)	<	1			
007	687085-9	HOLDER		1			
008	651968-9	SWITCH C3LA-2A		1	*		
008-1	651968-9	SWITCH C3LA-2A	O	1			
009	416079-5	F/R CHANGE LEVER		1			
010	125091-1	SPEED CHANGE LEVER ASS'Y		1			
011	251465-1	- FLAT HEAD SCREW M6X32		1	*		
011-1	251464-3	- FLAT HEAD SCREW M6X22	S	1			
012	193064-2	KEYLESS DRILL CHUCK 13		1	*		
012-1	193550-3	KEYLESS DRILL CHUCK 13	S	1	*		
012-2	763175-3	KEYLESS DRILL CHUCK 13	O	1	*		
012-3	766027-7	KEYLESS DRILL CHUCK 13	O	1			
013	125099-5	GEAR ASS'Y		1	*		
C10	417381-9	CHANGE LEVER		1	*		
013-1	125165-8	GEAR ASS'Y	<	1			
C10	417381-9	CHANGE LEVER		1			
014	629729-5	DC MOTOR		1			
C10	226361-2	SPUR GEAR 20		1			
D10		INC. 16,17					
015	911006-2	PAN HEAD SCREW M3X8		1			
016	191971-3	CARBON BRUSH CB-430		1			
017	643954-4	BRUSH HOLDER CAP		2			
018	266134-1	TAPPING SCREW ST 4X8		3			
019	265999-8	TAPPING SCREW 4X25		4			
020	183202-4	HOUSING SET		1	*		
D10		INC. 1					
020-1	183208-2	HOUSING SET	X	1			
C10	263024-9	RUBBER PIN 4		2			
D10		INC. 1,21					
021	819063-3	MAKITA LABEL		1			
A01	122576-8	STOPPER POLE ASS'Y		1			
C10	286226-0	CAP 20		1			
C20	322223-3	DEPTH ROD		1			
A02	824525-8	PLASTIC CARRYING CASE		1	*		
C10	417075-6	LATCH		2	*		

A02-1	824626-2	PLASTIC CARRYING CASE	<	1		
C10	419655-4	LATCH		2		
A03	414938-7	BATTERY COVER		2		
A04	784637-8	+ - BIT 2-45		2		
A05	122575-0	GRIP ASS'Y		1		
C10	152521-9	GRIP 36 COMPLETE		1		
C20	251812-6	SCREW M5X10		1		
C30	416680-6	GRIP BASE		1		
C40	921919-9	HEX. BOLT M8X110		1		
C50	931202-6	HEX. NUT M5		1		
A06	192827-3	BATTERY 1822 SET		2		
A06B_	193102-0	BATTERY 1834 SET		2	*	
A06B 1	193102-0	BATTERY 1834 SET	O	2		
A06C_	193061-8	BATTERY 1835 SET		1		

Please state Parts No. when your order.

Print Date 10/09/2023