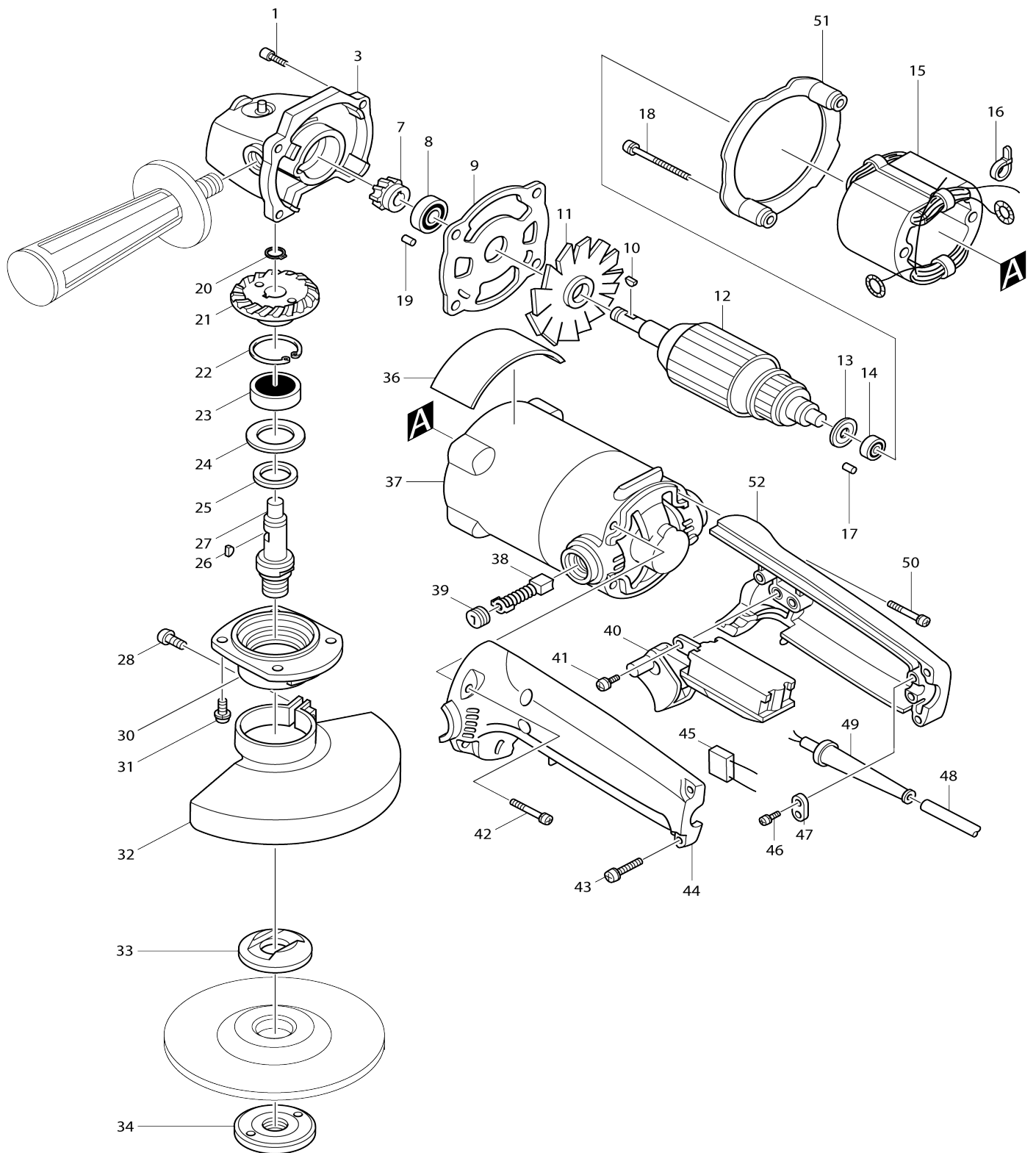


Model No.9005B DISC GRINDER 125MM



Model No.9005B DISC GRINDER 125MM

Item No.	Parts No.	Description	Interchangeability	Q'ty	New/Old	Note1	Note2
001	911241-2	PAN HEAD SCREW M5X25		4			
002	341680-6	TOOL REST		1	*		
003-2	156735-2	GEAR HOUSING		1	*		
003-3	159710-7	GEAR HOUSING COMPLETE	X	1	*		
C10	212005-0	NEEDLE BEARING 810		1	*		
C20	231464-9	COMPRESSION SPRING 5		1	*		
C30	256616-1	PIN 5		1	*		
C40	343312-1	CUP		1	*		
D10		INC. 19					
003-4	144196-8	GEAR HOUSING COMPLETE	<	1			
C10	212005-0	NEEDLE BEARING 810		1			
C20	231464-9	COMPRESSION SPRING 5		1			
C30	256616-1	PIN 5		1			
C40	343312-1	CUP		1			
D10		INC. 19					
007-2	181737-9	SPIRAL BEVEL GEAR SET		1	*		
D10		INC. 21					
007-3	187603-8	SPIRAL BEVEL GEAR SET	O	1			
D10		INC. 21					
008	211061-7	BALL BEARING 6000LLB		1	*		
008-1	211088-7	BALL BEARING 6000DDW	X	1			
009	341681-4	PLATE		1			
010	254002-0	WOODRUFF KEY 3		1			
011-1	241517-6	FAN 70		1			
012C1	516093-2	ARMATURE ASS'Y 220V		1			
D10		INC. 11,13,14					
013	681613-2	INSULATION WASHER		1			
014	211033-2	BALL BEARING 608LB		1	*		
014-1	210005-4	BALL BEARING 608DDW	X	1			
015C1	522673-4	FIELD ASS'Y 220V		1			
C10	654019-7	RING TERMINAL		2			
C20	654501-6	CONNECTOR P-1.25		2			
016	687010-0	BAND		1			
017-1	263014-2	RUBBER PIN 4		1			
018-1	911290-9	PAN HEAD SCREW M5X65		2			
019	263002-9	RUBBER PIN 4		1			
020	961052-5	RETAINING RING (EXT) S-12		1			
021-2	181737-9	SPIRAL BEVEL GEAR SET		1	*		
D10		INC. 7					
021-3	187603-8	SPIRAL BEVEL GEAR SET	O	1			
D10		INC. 7					
022	962151-6	RETAINING RING R-32		1			
023	211106-1	BALL BEARING 6201LLB		1	*		
023-1	211129-9	BALL BEARING 6201DDW	X	1			
024	253824-5	FLAT WASHER 21		1	*		
024-1	267126-3	FLAT WASHER 22	O	1			
025	443051-4	FELT RING 20		1			

026	254002-0	WOODRUFF KEY 3		1		
027C2	321341-4	SPINDLE		1		
028	251259-4	+ PAN HEAD SCREW M5X16		1		
030	315282-4	BEARING BOX		1		
031	911121-2	PAN HEAD SCREW M4X14		4	*	
031-1	266034-5	TAPPING SCREW CT 4X16	O	4	*	
031-2	266148-0	HEX. SOCKET HEAD BOLT M4X14	O	4		
032A1	134440-1	WHEEL COVER 125 ASS'Y		1		
D10		INC. 28				
033A6	224298-7	INNER FLANGE 42		1	*	
033A7	224415-9	INNER FLANGE 42	<	1		
033D_	122444-5	INNER FLANGE 47 ASS'Y		1		
034C4	224543-0	LOCK NUT 14-45		1	*	
034C5	224554-5	LOCK NUT 14-45		1		
036	854116-1	NAME PLATE 9005B		1	*	
036-1	850R04-8	9005B NAME PLATE	<	1		
037	156734-4	MOTOR HOUSING		1		
C10	643603-3	BRUSH HOLDER 6-10		2	*	
C11	643609-1	BRUSH HOLDER 6-10	O	2		
D10		INC. 17				
038C_	181030-1	CARBON BRUSH CB-100		1		
039	643600-9	BRUSH HOLDER CAP 6-10		2		
040C_	651128-3	SWITCH C3D-15AS		1		
041-2	911113-1	PAN HEAD SCREW M4X10 WITH WR		2		
042	911248-8	PAN HEAD SCREW M5X28		2		
043	911143-2	PAN HEAD SCREW M4X22		3		
044B_	182418-8	HANDLE SET		1	*	
D10		INC. 52				
044B1	182853-0	HANDLE SET	X	1	*	
C10	421565-3	SPONGE SHEET		1	*	
D10		INC. 52				
044B2	182853-0	HANDLE SET	<	1		
C10	421565-3	SPONGE SHEET		1		
D10		INC. 52				
045A_	645200-1	NOISE SUPPRESSOR		1		
046A_	265941-9	TAPPING SCREW BT 4X18		2	*	
046A1	265995-6	TAPPING SCREW 4X18	O	2		
047H_	687063-9	CORD CLAMP		1	*	
047H 1	687052-4	STRAIN RELIEF	X	1		
048M 1	665865-3	POWER SUPPLY CORD 1.0-2-2.5		1		
049B_	682540-6	CORD GUARD 9.3-90		1		
050	911248-8	PAN HEAD SCREW M5X28		2		
051-1	411876-4	BAFFLE PLATE		1		
052B_	182418-8	HANDLE SET		1	*	
D10		INC. 44				
052B1	182853-0	HANDLE SET	X	1	*	
C10	421565-3	SPONGE SHEET		1	*	
D10		INC. 44				
052B2	182853-0	HANDLE SET	<	1		

C10	421565-3	SPONGE SHEET		1		
D10		INC. 44				
400-2	152492-0	GRIP 36 COMPLETE		1		
401-2	794046-3	DEPRESSED CENTER WHEEL 125-24		1	*	
402A_	782407-9	LOCK NUT WRENCH 35		1	*	
402A1	782034-2	LOCK NUT WRENCH 35	O	1		
903	687051-6	STRAIN RELIEF		1		
904	819001-5	MAKITA LABEL		1		
F23-1	192613-2	ELBOW JOINT 32	X	1		
F40	191W06-8	115/125MM DUST COVER K SET		1		
C10	743129-6	BRUSH A		1		
C20	743130-1	BRUSH B		1		

Please state Parts No. when your order.

Print Date 10/09/2023