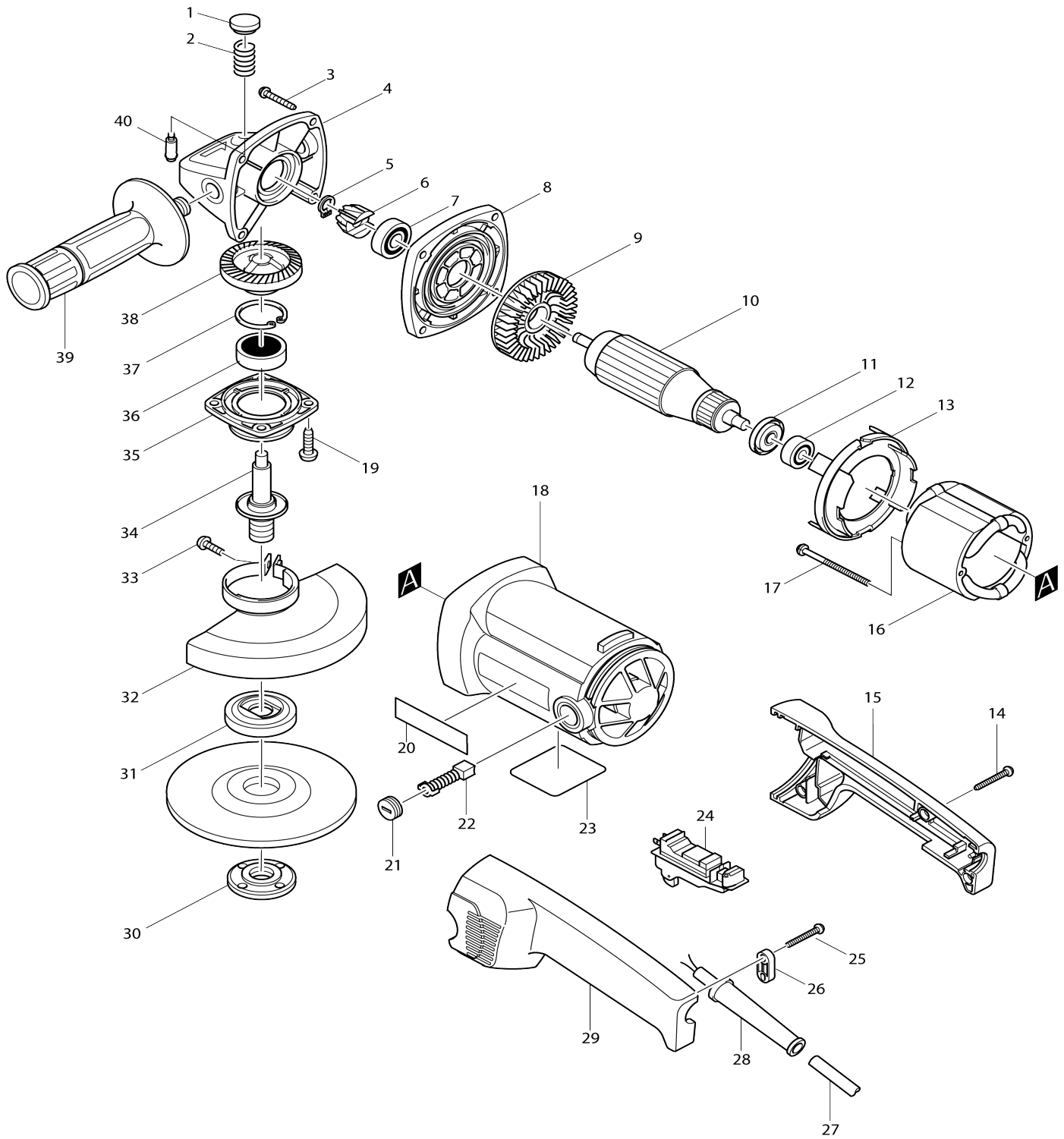


Model No.9015B 125MM ANGLE GRINDER



Model No.9015B 125MM ANGLE GRINDER

Item No.	Parts No.	Description	Interchangability	Q'ty	New/Old	Note1	Note2
001	416449-8	PIN CAP		1			
002	233089-5	COMPRESSION SPRING 12		1			
003	266173-1	TAPPING SCREW 5X30		4			
004	159995-5	GEAR HOUSING COMPLETE		1	*		
004-1	153374-9	GEAR HOUSING COMPLETE	S	1			
005	961003-8	RETAINING RING S-7		1			
006-2	183017-9	SPIRAL BEVEL GEAR SET		1	*		
C10	226769-0	SPIRAL BEVEL GEAR 12		1	*		
C20	226768-2	SPIRAL BEVEL GEAR 33		1	*		
D10		INC. 38					
006-3	183053-5	SPIRAL BEVEL GEAR SET	X	1	*		
C10	226755-1	SPIRAL BEVEL GEAR 12		1	*		
C20	226753-5	SPIRAL BEVEL GEAR 33		1	*		
D10		INC. 38					
006-4	183053-5	SPIRAL BEVEL GEAR SET	O	1	*		
C10	226755-1	SPIRAL BEVEL GEAR 12		1	*		
C20	226753-5	SPIRAL BEVEL GEAR 33		1	*		
D10		INC. 38					
006-5	183053-5	SPIRAL BEVEL GEAR SET	O	1			
C10	226755-1	SPIRAL BEVEL GEAR 12		1			
C20	226753-5	SPIRAL BEVEL GEAR 33		1			
D10		INC. 38					
007	211131-2	BALL BEARING 6001DDW		1			
008	316992-6	GEAR HOUSING COVER		1	*		
008-1	317323-2	GEAR HOUSING COVER	S	1			
009	240010-7	FAN 70		1			
010C_	516334-6	ARMATURE ASS'Y 230-240V		1			
D10		INC. 9,11,12					
011	681644-1	INSULATION WASHER		1			
012	210005-4	BALL BEARING 608DDW		1			
013	416448-0	BAFFLE PLATE		1			
014	265995-6	TAPPING SCREW 4X18		4			
015	182990-0	HANDLE SET		1			
D10		INC. 29					
016B_	522838-8	FIELD ASS'Y 220-240V		1	*		
C10	654020-2	RING TERMINAL		2	*		
C20	654501-6	CONNECTOR P-1.25		2	*		
016B1	522838-8	FIELD ASS'Y 220-240V	O	1			
C10	654020-2	RING TERMINAL		2			
C20	654501-6	CONNECTOR P-1.25		2			
017	266029-8	TAPPING SCREW 5X65		2			
018	159996-3	MOTOR HOUSING COMPLETE		1	*		
C10	643708-9	BRUSH HOLDER 5-11		2	*		
018-1	183159-9	MOTOR HOUSING	O	1			
C10	643708-9	BRUSH HOLDER 5-11		2			
D10		INC. 20					
019	266027-2	TAPPING SCREW CT5X16		4	*		

019-1	265096-0	PAN HEAD SCREW M5X16	S	4		
020	819001-5	MAKITA LABEL		2		
021	643750-0	BRUSH HOLDER CAP 7-11		2	*	
021-1	643515-0	HOLDER CAP 7-11	O	2		
022	191963-2	CARBON BRUSH CB-303		1		
023	859284-5	Name plate 9015B		1		
024A_	651146-1	SWITCH 1267.5102		1	*	
024A1	650100-2	SWITCH TG08-1300-011	O	1		
025	265995-6	TAPPING SCREW 4X18		2		
026C_	687063-9	CORD CLAMP		1	*	
026C1	687052-4	STRAIN RELIEF	X	1		
027O_	665890-4	POWER SUPPLY CORD 1.0-2-4.0		1		
028	682503-2	CORD GUARD 8-90		1	*	
028-1	682505-8	CORD GUARD 10-90	<	1		
029	182990-0	HANDLE SET		1		
D10		INC. 15				
030A_	224554-5	LOCK NUT 14-45		1		
031A_	224298-7	INNER FLANGE 42		1	*	
031A1	224415-9	INNER FLANGE 42	<	1		
032	165055-3	WHEEL COVER		1	*	
032-1	125097-9	WHEEL COVER ASS'Y	O	1		
D10		INC. 33				
033	251391-4	PAN HEAD SCREW M5X16		1		
034A_	152572-2	SPINDLE COMPLETE		1		
C10	344347-5	LABYRINTH RING		1		
035	316991-8	BEARING BOX		1		
036	211129-9	BALL BEARING 6201DDW		1	*	
036-1	211146-9	BALL BEARING 6201DDW	O	1	*	
036-2	211129-9	BALL BEARING 6201DDW	O	1		
037	962151-6	RETAINING RING R-32		1		
038-2	183017-9	SPIRAL BEVEL GEAR SET		1	*	
C10	226768-2	SPIRAL BEVEL GEAR 33		1	*	
C20	226769-0	SPIRAL BEVEL GEAR 12		1	*	
D10		INC. 6				
038-3	183053-5	SPIRAL BEVEL GEAR SET	X	1	*	
C10	226753-5	SPIRAL BEVEL GEAR 33		1	*	
C20	226755-1	SPIRAL BEVEL GEAR 12		1	*	
D10		INC. 6				
038-4	183053-5	SPIRAL BEVEL GEAR SET	O	1	*	
C10	226753-5	SPIRAL BEVEL GEAR 33		1	*	
C20	226755-1	SPIRAL BEVEL GEAR 12		1	*	
D10		INC. 6				
038-5	183053-5	SPIRAL BEVEL GEAR SET	O	1		
C10	226753-5	SPIRAL BEVEL GEAR 33		1		
C20	226755-1	SPIRAL BEVEL GEAR 12		1		
D10		INC. 6				
039	152492-0	GRIP 36 COMPLETE		1		
040	256446-0	PIN 6		1		
041	262086-4	RUBBER RING 29		1		
042	442126-6	GASKET		1		
A01A_	782407-9	LOCK NUT WRENCH 35		1		
A02	A-83674	DEPRESSED CENTER WHEEL 125		1	*	

		MM					
E01	645214-0	NOISE SUPPRESSOR		1	*		
E01-1	645088-9	NOISE SUPPRESSOR	O	1			

Please state Parts No. when your order.

Print Date 10/09/2023