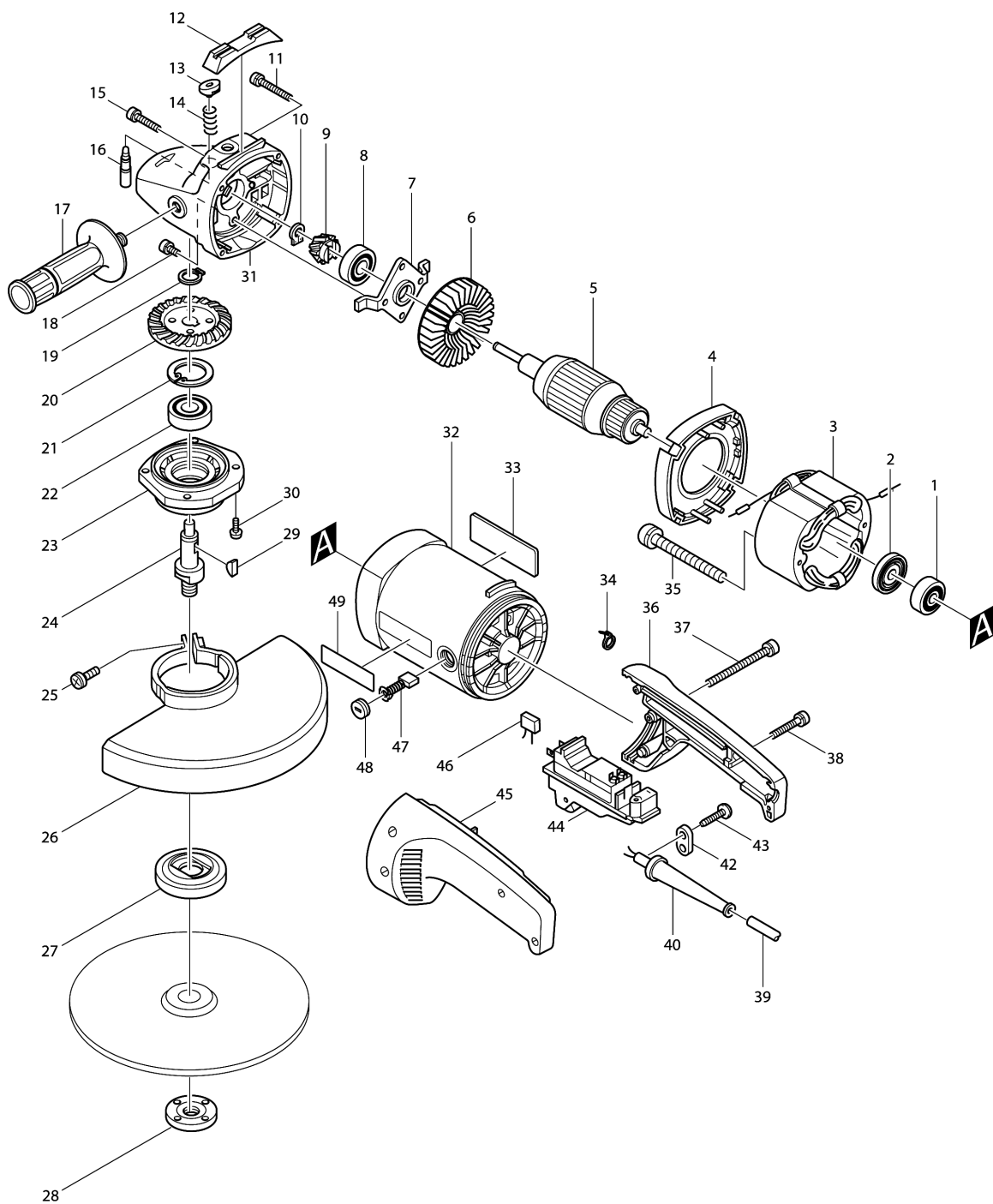


Model No.9029 DISC GRINDER 230MM



Model No.9029 DISC GRINDER 230MM

Item	Parts No.	Description	I/C	Qty	New/Old	Opt. 1	Opt. 2	Note
001	211087-9	BALL BEARING 6200DDW		1				
002	681630-2	INSULATION WASHER		1				
003C1	636003-4	FIELD 220V		1	*			
003C2	526013-8	FIELD ASS'Y 220V	X	1				
C10	654098-5	RECEPTACLE		2				
004	414989-0	BAFFLE PLATE		1	*			
004-1	415647-1	BAFFLE PLATE	S	1				
005C2	B33704	ARMATURE ASS'Y 220V		1	*			
005C3	516593-2	ARMATURE ASS'Y 220V	O	1	*			
D10		INC. 1,2,6			*			
005C4	516658-0	ARMATURE ASS'Y 220V	X	1	*			
D10		INC. 1,2,6			*			
005C5	516593-2	ARMATURE ASS'Y 220V	O	1				
D10		INC. 1,2,6						
006	241859-8	FAN 80		1				
007	285672-4	BEARING RETAINER 57		1				
008	211132-0	BALL BEARING 6301DDW		1				
009	221398-4	SPIRAL BEVEL GEAR 12		1				
010	961005-4	RETAINING RING S-9		1				
011	911263-2	PAN HEAD SCREW M5X40		4				
012	421421-7	TOOL REST		1				
013	414990-5	PIN CAP		1				
014	233031-6	COMPRESSION SPRING 12		1				
015	265977-8	HEX.SOCKET HEAD BOLT M5X20		1	*			
015-1	266464-0	HEX. SOCKET HEAD BOLT M5X20	O	1				
016	256431-3	PIN 6		1				
017-1	152492-0	GRIP 36 COMPLETE		1				
018	265976-0	HEX.SOCKET HEAD BOLT M5X10		1				
019	961057-5	RETAINING RING S-17		1				
020	221378-0	SPIRAL BEVEL GEAR 50		1				
021	962157-4	RETAINING RING R-40		1				
022	211278-2	BALL BEARING 6203DDW		1				
023	316399-6	BEARING BOX		1				
024A_	322512-6	SPINDLE		1				
025	251383-3	PAN HEAD SCREW M8X30		1				
026	165000-8	WHEEL COVER		1				
027B1	224298-7	INNER FLANGE 42		1	*			
027B2	224415-9	INNER FLANGE 42	<	1				
028A_	224543-0	LOCK NUT 14-45		1	*			
028A1	192567-3	LOCK NUT DIN	X	1				
029	254001-2	WOODRUFF KEY 4		1				
030	911223-4	PAN HEAD SCREW M5X16		4				
031	159469-6	GEAR HOUSING		1				
C10	212063-6	NEEDLE BEARING 1012		1				

Please order the parts with part number.

Print Date 9/10/2023

Model No.9029 DISC GRINDER 230MM

Item	Parts No.	Description	I/C	Qty	New/Old	Opt. 1	Opt. 2	Note
032-2	125029-6	MOTOR HOUSING ASS'Y		1	*			
C10	643705-5	BRUSH HOLDER		2	*			
C20	632282-2	SUPPORT UNIT		1	*			
D10		INC. 34,49			*			
032-3	125036-9	MOTOR HOUSING ASS'Y	S	1	*			
C10	643705-5	BRUSH HOLDER		2	*			
C20	632282-2	SUPPORT UNIT		1	*			
D10		INC. 34,39			*			
032-4	125036-9	MOTOR HOUSING ASS'Y	X	1	*			
C10	643705-5	BRUSH HOLDER		2	*			
C20	632282-2	SUPPORT UNIT		1	*			
D11		INC. 34,49			*			
032-5	182815-8	MOTOR HOUSING	X	1				
C10	643705-5	BRUSH HOLDER		2	*			
C11	643707-1	BRUSH HOLDER	O	2				
D11		INC. 49						
033	856985-6	NAME PLATE 9029		1				
034	687010-0	BAND		1				
035-1	911691-1	PAN HEAD SCREW M5X70		2				
036-1	182563-9	HANDLE SET		1	*			
D10		INC. 45			*			
036-2	182607-5	HANDLE SET	S	1	*			
D10		INC. 45			*			
036-3	182824-7	HANDLE SET	S	1				
D10		INC. 45						
037-1	265016-4	PAN HEAD SCREW M6X85		1				
038	911148-2	PAN HEAD SCREW M4X25		4	*			
038-1	265999-8	TAPPING SCREW 4X25	X	4				
039O_	666066-6	POWER SUPPLY CORD 1.0-2-2.5		1				
040A_	682503-2	CORD GUARD 8-90		1				
042C_	687063-9	CORD CLAMP		1				
043A_	266121-0	TAPPING SCREW FLANGE PF 4X18		2	*			
043A1	265995-6	TAPPING SCREW 4X18	O	2				
044	651146-1	SWITCH 1267.5102		1	*			
044-1	650100-2	SWITCH TG08-1300-011	O	1				
045-1	182563-9	HANDLE SET		1	*			
D10		INC. 36			*			
045-2	182607-5	HANDLE SET	S	1	*			
D10		INC. 36			*			
045-3	182824-7	HANDLE SET	S	1				
D10		INC. 36						
046	645214-0	NOISE SUPPRESSOR		1	*			
046-1	645088-9	NOISE SUPPRESSOR	O	1				
047-1	191957-7	A.C. CARBON BRUSH CB-204		1	*			

Please order the parts with part number.

Print Date 9/10/2023

Model No.9029 DISC GRINDER 230MM

Item	Parts No.	Description	I/C	Qty	New/Old	Opt. 1	Opt. 2	Note
047-2	194992-4	CARBON BRUSH SET CB-204	0	1				
048	643700-5	BRUSH HOLDER CAP 7-18		2				
049-1	819095-0	MAKITA MARK		1				
050	818160-2	INDICATION LABEL		1				
A01A_	782407-9	LOCK NUT WRENCH 35		1				
A02	818161-0	INDICATION LABEL		1				
B04	134769-5	MOTOR HOUSING ASS'Y 220V		1				
D10		INC. 3,32,34,E08-E10						
B06	182942-1	SPIRAL BEVEL GEAR SET		1				
D10		INC. 9,20						
E12	125052-1	LOCK NUT ASS'Y DIN		1				
F02	192227-7	SUPER FLANGE		0				

Please order the parts with part number.

Print Date 9/10/2023