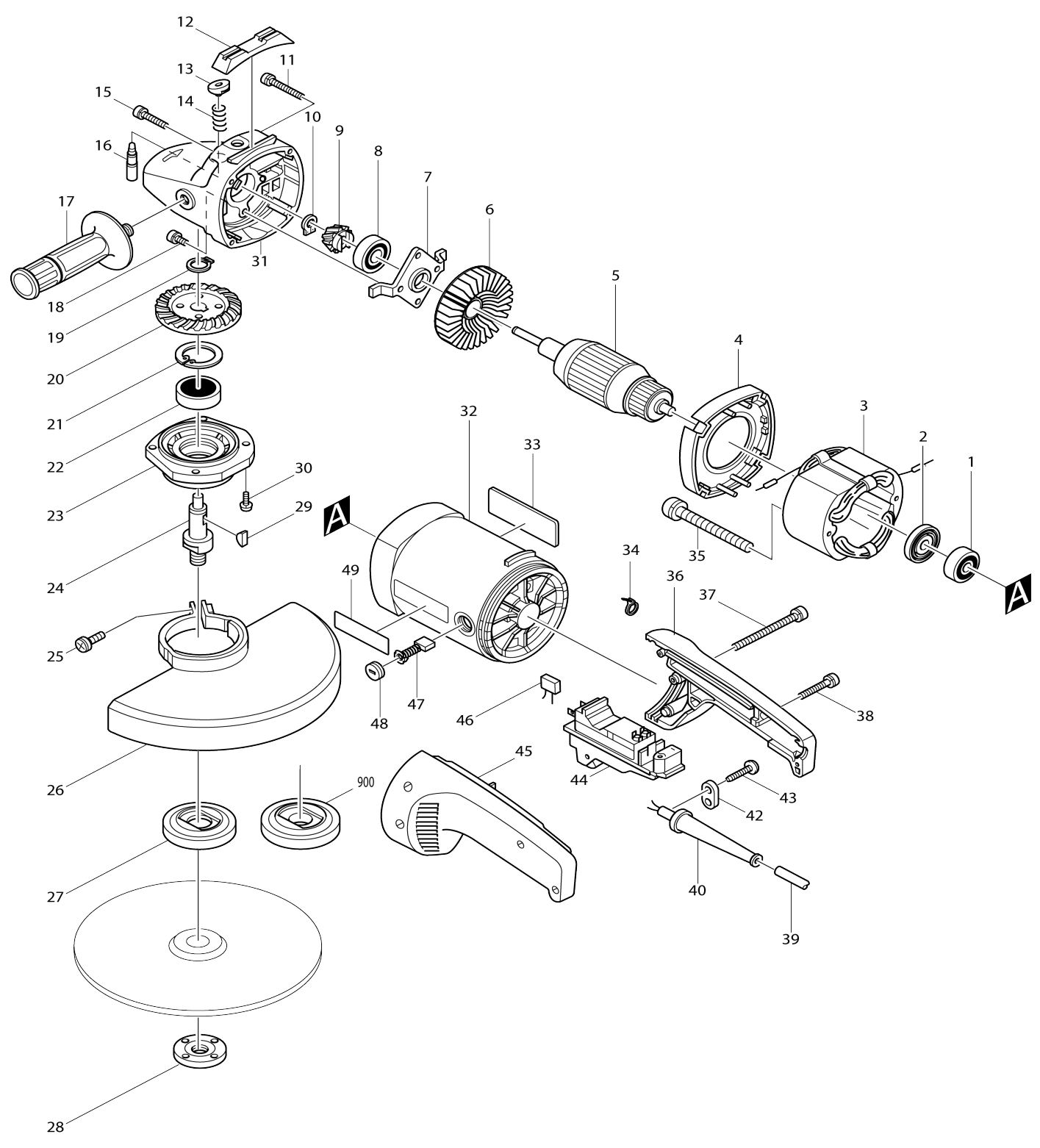


Model No.9029S DISC GRINDER 230MM



Model No.9029S DISC GRINDER 230MM

| Item No. | Parts No. | Description | Interchangability | Q'ty | New/Old | Note1 | Note2 |
|----------|-----------|-----------------------------|-------------------|------|---------|-------|-------|
| 001 | 211087-9 | BALL BEARING 6200DDW | | 1 | | | |
| 002 | 681630-2 | INSULATION WASHER | | 1 | | | |
| 003C1 | 636003-4 | FIELD 220V | | 1 | * | | |
| 003C2 | 526013-8 | FIELD ASS'Y 220V | X | 1 | | | |
| C10 | 654098-5 | RECEPTACLE | | 2 | | | |
| 004 | 414989-0 | BAFFLE PLATE | | 1 | * | | |
| 004-1 | 415647-1 | BAFFLE PLATE | S | 1 | | | |
| 005C3 | 516593-2 | ARMATURE ASS'Y 220V | | 1 | * | | |
| 005C4 | 516658-0 | ARMATURE ASS'Y 220V | X | 1 | * | | |
| 005C5 | 516593-2 | ARMATURE ASS'Y 220V | O | 1 | | | |
| D10 | | INC. 1,2,6 | | | | | |
| 006 | 241859-8 | FAN 80 | | 1 | | | |
| 007 | 285672-4 | BEARING RETAINER 57 | | 1 | | | |
| 008 | 211132-0 | BALL BEARING 6301DDW | | 1 | | | |
| 009 | 221398-4 | SPIRAL BEVEL GEAR 12 | | 1 | | | |
| 010 | 961005-4 | RETAINING RING S-9 | | 1 | | | |
| 011 | 911263-2 | PAN HEAD SCREW M5X40 | | 4 | | | |
| 012 | 421421-7 | TOOL REST | | 1 | | | |
| 013 | 414990-5 | PIN CAP | | 1 | | | |
| 014 | 233031-6 | COMPRESSION SPRING 12 | | 1 | | | |
| 015 | 265977-8 | HEX.SOCKET HEAD BOLT M5X20 | | 1 | * | | |
| 015-1 | 266464-0 | HEX. SOCKET HEAD BOLT M5X20 | O | 1 | | | |
| 016 | 256431-3 | PIN 6 | | 1 | | | |
| 017-1 | 152492-0 | GRIP 36 COMPLETE | | 1 | | | |
| 018 | 265976-0 | HEX.SOCKET HEAD BOLT M5X10 | | 1 | | | |
| 019 | 961057-5 | RETAINING RING S-17 | | 1 | | | |
| 020 | 221378-0 | SPIRAL BEVEL GEAR 50 | | 1 | | | |
| 021 | 962157-4 | RETAINING RING R-40 | | 1 | | | |
| 022 | 211278-2 | BALL BEARING 6203DDW | | 1 | | | |
| 023 | 316399-6 | BEARING BOX | | 1 | | | |
| 024A_ | 322512-6 | SPINDLE | | 1 | | | |
| 025 | 251383-3 | PAN HEAD SCREW M8X30 | | 1 | | | |
| 026 | 165000-8 | WHEEL COVER | | 1 | | | |
| 027 | 122444-5 | INNER FLANGE 47 ASS'Y | | 1 | | | |
| 027B1 | 224298-7 | INNER FLANGE 42 | | 1 | * | | |
| 027B2 | 224415-9 | INNER FLANGE 42 | < | 1 | | | |
| 028A_ | 224543-0 | LOCK NUT 14-45 | | 1 | * | | |
| 028A1 | 192567-3 | LOCK NUT DIN | X | 1 | | | |
| 029 | 254001-2 | WOODRUFF KEY 4 | | 1 | | | |
| 030 | 911223-4 | PAN HEAD SCREW M5X16 | | 4 | | | |
| 031 | 159469-6 | GEAR HOUSING | | 1 | | | |
| C10 | 212063-6 | NEEDLE BEARING 1012 | | 1 | | | |
| 032-2 | 125029-6 | MOTOR HOUSING ASS'Y | | 1 | * | | |
| C10 | 643705-5 | BRUSH HOLDER | | 2 | * | | |
| C20 | 632282-2 | SUPPORT UNIT | | 1 | * | | |
| D10 | | INC. 34,49 | | | | | |
| 032-3 | 125036-9 | MOTOR HOUSING ASS'Y | S | 1 | * | | |

| | | | | | | | |
|-------|----------|------------------------------|---|---|---|--|--|
| C10 | 643705-5 | BRUSH HOLDER | | 2 | * | | |
| C20 | 632282-2 | SUPPORT UNIT | | 1 | * | | |
| D10 | | INC. 34,49 | | | | | |
| 032-4 | 125036-9 | MOTOR HOUSING ASS'Y | X | 1 | * | | |
| C10 | 643705-5 | BRUSH HOLDER | | 2 | * | | |
| C20 | 632282-2 | SUPPORT UNIT | | 1 | * | | |
| D11 | | INC. 34,49 | | | | | |
| 032-5 | 182815-8 | MOTOR HOUSING | X | 1 | | | |
| C10 | 643705-5 | BRUSH HOLDER | | 2 | * | | |
| C11 | 643707-1 | BRUSH HOLDER | O | 2 | | | |
| D11 | | INC. 49 | | | | | |
| 033 | 857018-0 | NAME PLATE 9029S | | 1 | | | |
| 034 | 687010-0 | BAND | | 1 | | | |
| 035-1 | 911691-1 | PAN HEAD SCREW M5X70 | | 2 | | | |
| 036-1 | 182563-9 | HANDLE SET | | 1 | * | | |
| D10 | | INC. 45 | | | | | |
| 036-2 | 182607-5 | HANDLE SET | S | 1 | * | | |
| D10 | | INC. 45 | | | | | |
| 036-3 | 182824-7 | HANDLE SET | S | 1 | | | |
| D10 | | INC. 45 | | | | | |
| 037-1 | 265016-4 | PAN HEAD SCREW M6X85 | | 1 | | | |
| 038 | 911148-2 | PAN HEAD SCREW M4X25 | | 4 | * | | |
| 038-1 | 265999-8 | TAPPING SCREW 4X25 | X | 4 | | | |
| 039F_ | 665516-8 | POWER SUPPLY CORD 1.00-2-2.5 | | 1 | | | |
| 040 | 682505-8 | CORD GUARD 10-90 | | 1 | | | |
| 042A_ | 687052-4 | STRAIN RELIEF | | 1 | | | |
| 043A_ | 266121-0 | TAPPING SCREW FLANGE PF 4X18 | | 2 | * | | |
| 043A1 | 265995-6 | TAPPING SCREW 4X18 | O | 2 | | | |
| 044-1 | 651147-9 | SWITCH 1362.0102 | | 1 | * | | |
| 044-2 | 651178-8 | SWITCH 1362.0112 | O | 1 | | | |
| 045-1 | 182563-9 | HANDLE SET | | 1 | * | | |
| D10 | | INC. 36 | | | | | |
| 045-2 | 182607-5 | HANDLE SET | S | 1 | * | | |
| D10 | | INC. 36 | | | | | |
| 045-3 | 182824-7 | HANDLE SET | S | 1 | | | |
| D10 | | INC. 36 | | | | | |
| 046 | 645214-0 | NOISE SUPPRESSOR | | 1 | * | | |
| 046-1 | 645088-9 | NOISE SUPPRESSOR | O | 1 | | | |
| 047-1 | 191957-7 | A.C. CARBON BRUSH CB-204 | | 1 | * | | |
| 047-2 | 194992-4 | CARBON BRUSH SET CB-204 | O | 1 | | | |
| 048 | 643700-5 | BRUSH HOLDER CAP 7-18 | | 2 | | | |
| 049-1 | 819095-0 | MAKITA MARK | | 1 | | | |
| 050 | 818044-4 | LABEL | | 1 | | | |
| 051 | 539100-4 | RESISTOR ASS'Y 200/220/240V | | 1 | | | |
| 052 | 818160-2 | INDICATION LABEL | | 1 | | | |
| A02 | 818161-0 | INDICATION LABEL | | 1 | | | |
| B06 | 182942-1 | SPIRAL BEVEL GEAR SET | | 1 | | | |
| D10 | | INC. 9,20 | | | | | |
| E08 | 536011-4 | LEAD ASS'Y (BITTER ORANGE) | | 1 | | | |
| E09 | 536012-2 | LEAD ASS'Y (PURPLE) | | 1 | | | |
| E10 | 654552-9 | INSULATED CONNECTOR FTC-1.2 | | 2 | * | | |

| | | | | | | | |
|-------|----------|----------------------------------|---|---|--|--|--|
| | | 5 | | | | | |
| E10-1 | 654552-9 | INSULATED CONNECTOR FTC-1.2 5 | 0 | 2 | | | |
| F02 | 192227-7 | SUPER FLANGE | | 0 | | | |

Please state Parts No. when your order.

Print Date 10/09/2023