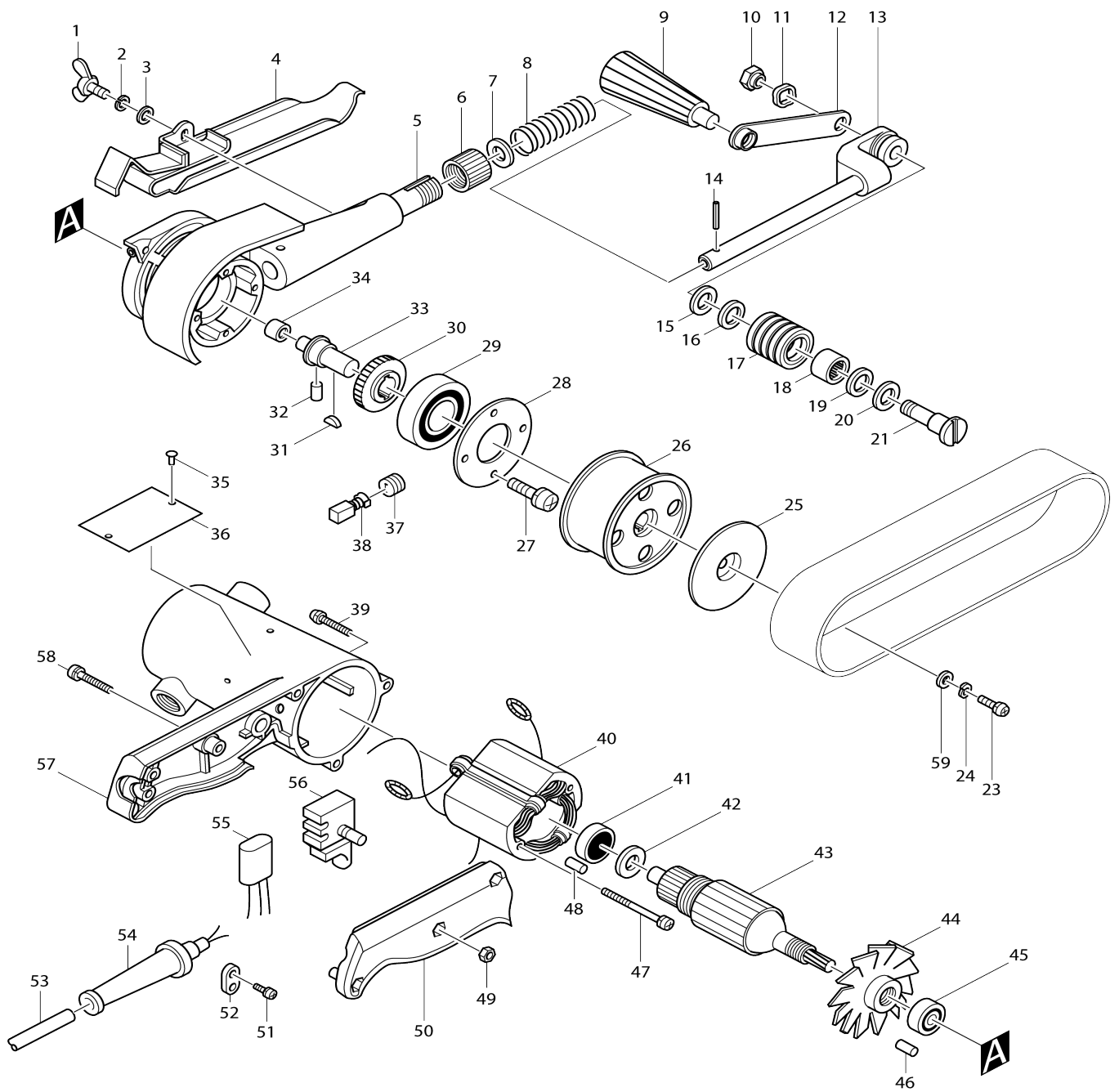


# Model No.9030 BELT SANDER 30MM



Model No.9030 BELT SANDER 30MM

Item No.	Parts No.	Description	Interchangability	Q'ty	New/Old	Note1	Note2
001	924216-2	WING BOLT M5X15		1			
002	942101-7	SPRING WASHER 5		1			
003	941101-4	FLAT WASHER 5		1			
005-1	157858-9	GEAR HOUSING		1			
006	252605-4	WING NUT M16		1			
007	253052-2	FLAT WASHER 12		1			
008	231056-4	COMPRESSION SPRING 13		1			
010	252026-0	HEX. NUT M8-17		1			
011	253904-7	WAVE WASHER 12		2			
012	164298-4	ARM		1			
013	154231-4	ANGLE STAY		1			
C10	951113-9	SPRING PIN 4-18		1			
D10		INC. 14					
014	951116-3	SPRING PIN 4-20		1			
015	261015-4	WASHER 12		1			
016	253052-2	FLAT WASHER 12		1			
017	222019-1	PULLEY 30-25		1			
018	212104-8	NEEDLE BEARING 1212		1			
019	253052-2	FLAT WASHER 12		1			
020	261015-4	WASHER 12		1			
021	325078-5	TOP PULLEY SHAFT		1			
023	251287-9	+ PAN HEAD SCREW M4X10		1			
024	942051-6	SPRING WASHER 4		1			
025	343065-2	SIDE COVER		1			
026	222018-3	PULLEY 33-64		1			
027	911116-5	PAN HEAD SCREW M4X12		4			
028	285623-7	BEARING RETAINER 48		1			
029	211303-9	BALL BEARING 6004LB		1			
030	221095-2	HELICAL GEAR 45		1			
031	254002-0	WOODRUFF KEY 3		1			
032	256009-2	PIN 4.5		1			
033	323224-4	DRIVING SHAFT		1			
034	212004-2	NEEDLE BEARING 810		1			
035	953106-2	RIVET 0-5		2			
036	811647-3	NAME PLATE 9030		1			
037	643550-8	BRUSH HOLDER CAP 5-8		2			
038B_	181021-2	CARBON BRUSH CB-51		1	*		
038B1	194963-1	CARBON BRUSH SET CB-51	O	1			
039	911159-7	PAN HEAD SCREW M4X30		3			
040C_	521105-8	FIELD ASS'Y 220V		1			
C10	654018-9	RING TERMINAL		2			
C20	654501-6	CONNECTOR P-1.25		2			
041	211028-5	BALL BEARING 627LB		1			
042	253058-0	FLAT WASHER 7		1			
043C_	511105-6	ARMATURE ASS'Y 220V		1			
D10		INC. 41,42,44,45					
044	241031-2	FAN 62		1			

045-1	210005-4	BALL BEARING 608DDW		1		
046	263002-9	RUBBER PIN 4		1		
047-1	911175-9	PAN HEAD SCREW M4X45		2		
049	931102-0	HEX. NUT M4		3		
050	411003-3	GRIP COVER		1		
D10		INC. 49				
051-1	911133-5	PAN HEAD SCREW M4X18		2		
052D_	687031-2	STRAIN RELIEF		1		
053O_	665516-8	POWER SUPPLY CORD 1.00-2-2.5		1		
054A_	682502-4	CORD GUARD 8-85		1		
055B1	645200-1	NOISE SUPPRESSOR		1		
056I_	651235-2	SWITCH C2M-A1T		1	*	
056I1	651225-5	SWITCH SGEL215C	S	1		
058	911148-2	PAN HEAD SCREW M4X25		3		
059	941052-1	FLAT WASHER 4		1		
400	794013-8	ABRASIVE BELT SET 30X533		1		

Please state Parts No. when your order.

Print Date 10/09/2023