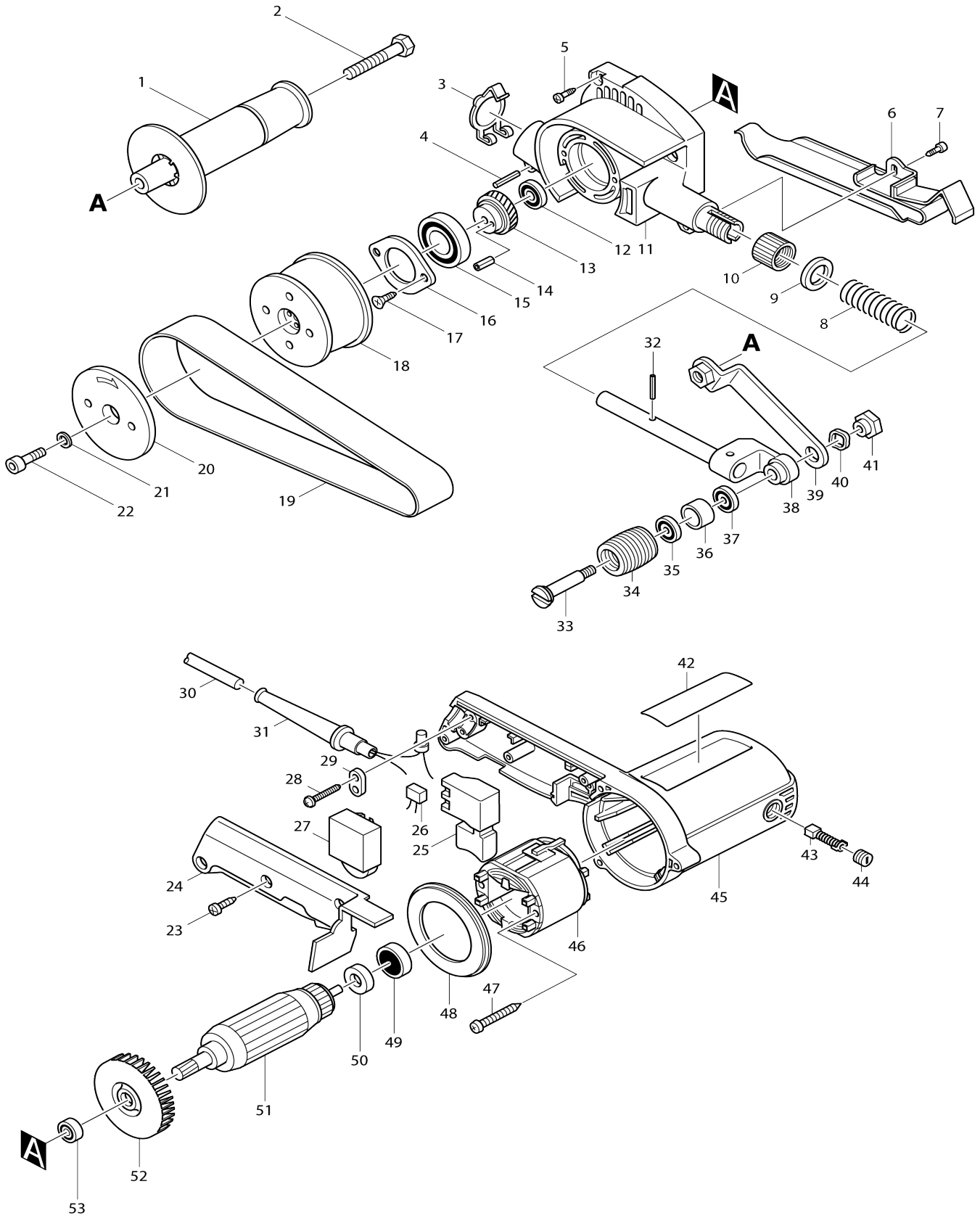


# Model No.9031 BELT SANDER 30MM



Model No.9031 BELT SANDER 30MM

Item No.	Parts No.	Description	Interchangability	Q'ty	New/Old	Note1	Note2
001-1	152490-4	GRIP 36 COMPLETE		1			
003	286241-4	CAP 30		1			
004	951116-3	SPRING PIN 4-20		1			
005	265924-9	TAPPING SCREW 4X25		3	*		
005-1	265999-8	TAPPING SCREW 4X25	O	3			
006	342152-4	FLAT SHOE		1			
007	266035-3	TAPPING SCREW BIND CT 5X12		1			
008	231056-4	COMPRESSION SPRING 13		1			
009	253052-2	FLAT WASHER 12		1			
010	252605-4	WING NUT M16		1			
011	159748-2	GEAR HOUSING COMPLETE		1	*		
C10	263002-9	RUBBER PIN 4		1	*		
011-1	144743-5	GEAR HOUSING COMPLETE	<	1			
C10	263002-9	RUBBER PIN 4		1			
012	211023-5	BALL BEARING 607LB		1			
013	226435-9	HELICAL GEAR 35		1			
014	258009-8	SPRING PIN 3.5-12		1			
015	211331-4	BALL BEARING 6904DDW		1			
016	285830-2	BEARING RETAINER 44		1			
017	266058-1	TAPPING SCREW CT 4X12		2			
018	222129-4	PULLEY 33-64		1			
019	794115-0	ABRASIVE BELT 30X533 AA100		1	*		
019-1	A-23880	BELT 533-AA100 10PC.	O	1			
020	415624-3	PULLEY LINER		1			
021	941101-4	FLAT WASHER 5		1			
022	266067-0	HEX. SOCKET HEAD BOLT M5X20		1			
023	265941-9	TAPPING SCREW BT 4X18		3	*		
023-1	265995-6	TAPPING SCREW 4X18	O	3			
024	415635-8	HANDLE COVER		1			
025	651263-7	SWITCH SGEL206C		1	*		
025-1	651263-7	SWITCH SGEL206C	O	1			
026C_	645209-3	NOISE SUPPRESSOR		1	*		
026C1	645200-1	NOISE SUPPRESSOR	S	1			
027A1	631185-7	CONTROLLER 200V-240V		1	*		
027A2	631677-6	CONTROLLER	O	1			
028	265995-6	TAPPING SCREW 4X18		2			
029A1	687052-4	STRAIN RELIEF		1			
030G_	665394-6	POWER SUPPLY CORD 1.0-2-2.5		1			
031A_	682502-4	CORD GUARD 8-85		1			
032	951116-3	SPRING PIN 4-20		1			
033	322746-1	TOP PULLEY SHAFT		1			
034	222130-9	PULLEY 30-25		1			
035	210015-1	BALL BEARING 688DDW		1	*		
035-1	210211-1	BALL BEARING 688LLU	O	1			
036	331450-1	SLEEVE 12		1			
037	210015-1	BALL BEARING 688DDW		1	*		
037-1	210211-1	BALL BEARING 688LLU	O	1			

038	154417-0	ANGLE STAY COMPLETE		1		
039	165110-1	ARM COMPLETE		1		
040	253904-7	WAVE WASHER 12		2		
041	252138-9	HEX. NUT M6-17		1		
042	857678-8	NAME PLATE 9031		1		
043A_	191940-4	CARBON BRUSH CB-411		1	*	
043A1	195010-1	CARBON BRUSH SET CB-411	O	1		
044	643550-8	BRUSH HOLDER CAP 5-8		2		
045	159747-4	MOTOR HOUSING COMPLETE		1		
C10	643917-0	BRUSH HOLDER		2	*	
C11	643932-4	BRUSH HOLDER 6X9	O	2		
046F_	599328-6	FIELD ASS'Y 220V		1	*	
C10	654100-4	RING TERMINAL		2	*	
C20	654501-6	CONNECTOR P-1.25		2	*	
046F1	599328-6	FIELD ASS'Y 220V	<	1	*	
C10	654100-4	RING TERMINAL		2	*	
C20	654501-6	CONNECTOR P-1.25		2	*	
046F2	599112-9	FIELD ASSY 220V	O	1		
C10	654100-4	RING TERMINAL		2		
C20	654501-6	CONNECTOR P-1.25		2		
047	265988-3	TAPPING SCREW BIND BT 4X60		2	*	
047-1	266052-3	TAPPING SCREW 4X60	O	2		
048	415634-0	BAFFLE PLATE		1		
049	211028-5	BALL BEARING 627LB		1		
050	681614-0	INSULATION WASHER		1		
051C_	517148-6	ARMATURE ASS'Y 220V		1		
D10		INC. 49,50,52,53				
052	241884-9	FAN 60		1		
053	210005-4	BALL BEARING 608DDW		1		
A01	794109-5	ABRASIVE BELT 30X533 AA40		1	*	
A01-1	A-23852	BELT 533-AA40 10PCS	O	1		
A02	794111-8	ABRASIVE BELT 30X533 AA60		1	*	
A02-1	A-23868	ABRASIVE BELT 30X533 AA60	O	1		
A03	794113-4	ABRASIVE BELT 30X533 AA80		1	*	
A03-1	A-23874	BELT 533-AA80 10PC.	O	1		
A04	794115-0	ABRASIVE BELT 30X533 AA100		1	*	
A04-1	A-23880	BELT 533-AA100 10PC.	O	1		
A05	794117-6	ABRASIVE BELT 30X533 AA120		1	*	
A05-1	A-23896	ABRASIVE BELT 533-AA120	O	1		
E01	652259-1	CLAMP WASHER		4	*	
E04	654077-3	INSULATED TERMINAL FK2-M3D-5.5		2		
E07	344571-0	FLONT COVER		1		
E08	654051-1	EARTH TERMINAL		1	*	

Please state Parts No. when your order.

Print Date 27/12/2023