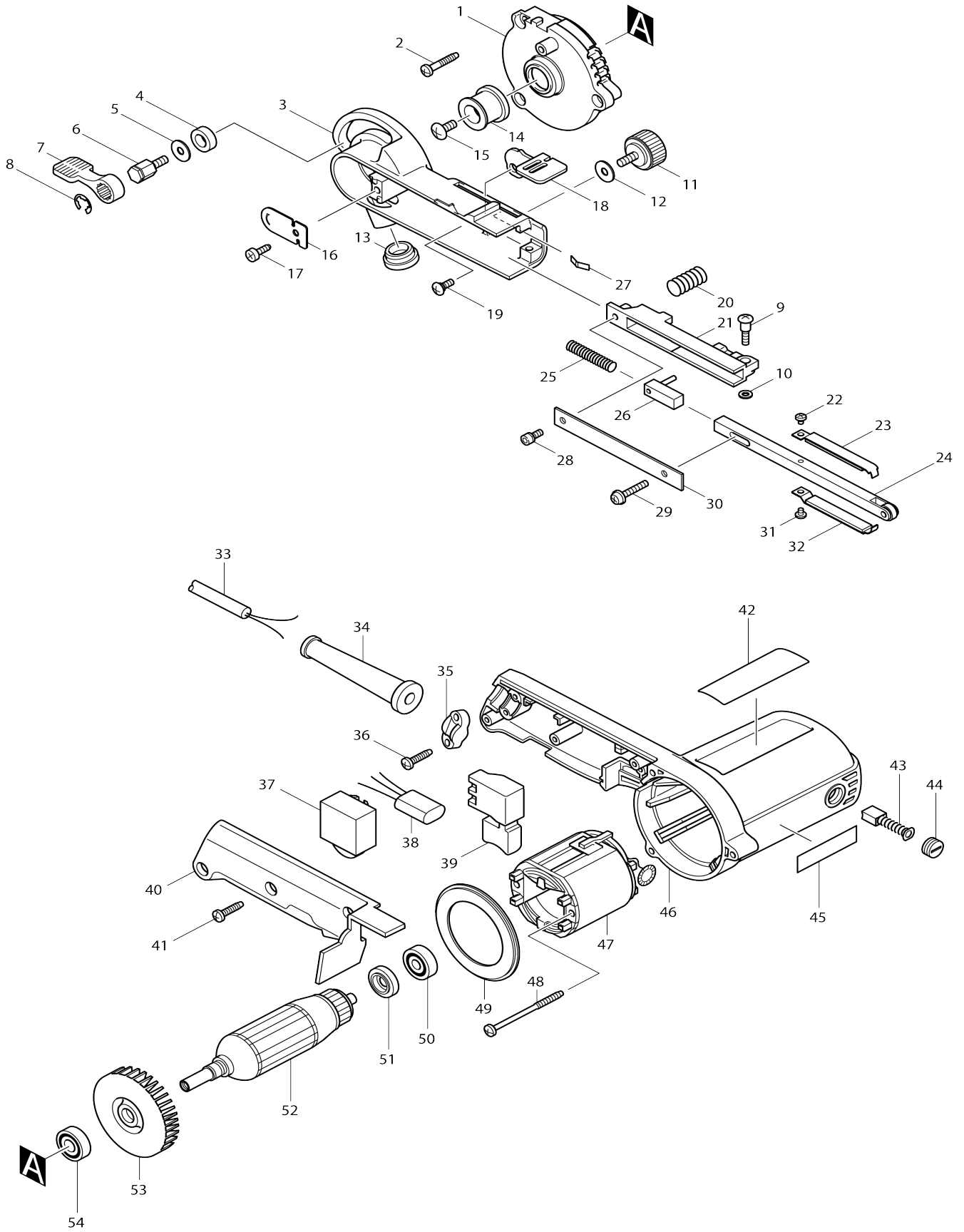


# Model No.9032 BELT SANDER 9MM



Model No.9032 BELT SANDER 9MM

Item No.	Parts No.	Description	Interchangability	Q'ty	New/Old	Note1	Note2
001	317523-4	BRACKET		1			
002	265999-8	TAPPING SCREW 4X25		3			
003	153308-2	PULLEY COVER COMPLETE		1			
004	257249-5	RING 9		1			
005	253807-5	FLAT WASHER 5		1			
006	265494-8	HEX. BOLT M5X13		1			
007	272229-0	LEVER 40		1			
008	961014-3	STOP RING E-8		1			
009	265090-2	+ PAN HEAD SCREW M4X20		1			
010	941052-1	FLAT WASHER 4		1			
011	265751-4	THUMB SCREW M5X13		1			
012	253807-5	FLAT WASHER 5		1			
013	421198-4	CAP		1			
014	317522-6	DRIVING ROLLER		1			
015	265092-8	TRUSS HEAD SCREW M5X12		1			
016	345196-3	SAFETY COVER		1			
017	266026-4	TAPPING SCREW BIND CT 4X12		1			
018	345197-1	CAM LEVER		1			
019	265028-7	+ PAN HEAD SCREW M4X11		1			
020	233333-0	COMPRESSION SPRING 10		1			
021	317525-0	ARM HOLDER		1			
022	265040-7	+ PAN HEAD SCREW M3X4		1			
023	153314-7	SHOE 9 COMPLETE		1			
024	153310-5	ARM 9 COMPLETE		1			
C10	210064-8	BALL BEARING 694LLU		1	*		
C11	210209-8	BALL BEARING 694LLU	O	1			
C20	267220-1	FLAT WASHER 4		2			
025	233332-2	COMPRESSION SPRING 6		1			
026	153312-1	ARM TENSIONER COMPLETE		1			
027	232185-6	LEAF SPRING		1			
028	922111-0	HEX. SOCKET HEAD BOLT M4X10		1			
029	911138-5	P.H.SCREW M4X20 WITH WR		1			
030	345195-5	ARM COVER		1			
031	265040-7	+ PAN HEAD SCREW M3X4		1			
032	153314-7	SHOE 9 COMPLETE		1			
033	665394-6	POWER SUPPLY CORD 1.0-2-2.5		1			
034	682502-4	CORD GUARD 8-85		1			
035	687052-4	STRAIN RELIEF		1			
036	265995-6	TAPPING SCREW 4X18		2			
037	631185-7	CONTROLLER 200V-240V		1	*		
037-1	631677-6	CONTROLLER	O	1			
038	645209-3	NOISE SUPPRESSOR		1	*		
038-1	645200-1	NOISE SUPPRESSOR	S	1			
039	651263-7	SWITCH SGEL206C		1	*		
039-1	651263-7	SWITCH SGEL206C	O	1			
040	415635-8	HANDLE COVER		1			
041	265995-6	TAPPING SCREW 4X18		3			

042	853483-1	NAME PLATE 9032		1		
043	191940-4	CARBON BRUSH CB-411		1	*	
043-1	195010-1	CARBON BRUSH SET CB-411	O	1		
044	643550-8	BRUSH HOLDER CAP 5-8		2		
045	819063-3	MAKITA LABEL		1		
046	159747-4	MOTOR HOUSING COMPLETE		1		
C10	643932-4	BRUSH HOLDER 6X9		2		
047	599347-2	FIELD ASS'Y 230-240V		1	*	
C10	654100-4	RING TERMINAL		2	*	
C20	654501-6	CONNECTOR P-1.25		2	*	
047-1	599347-2	FIELD ASS'Y 230-240V	S	1	*	
C10	654100-4	RING TERMINAL		2	*	
C20	654501-6	CONNECTOR P-1.25		2	*	
047-2	599115-3	FIELD ASSY 240V	O	1		
C10	654100-4	RING TERMINAL		2		
C20	654501-6	CONNECTOR P-1.25		2		
048	266052-3	TAPPING SCREW 4X60		2		
049	415634-0	BAFFLE PLATE		1		
050	210023-2	BALL BEARING 627DDW		1		
051	681614-0	INSULATION WASHER		1		
052	517389-4	ARMATURE ASS'Y 230-240V		1		
D10		INC. 50,51,53,54				
053	241884-9	FAN 60		1		
054	210005-4	BALL BEARING 608DDW		1		
A01	A-34469	ABRASIVE BELT 9X533-AA80		1		
A02	122652-8	DUST NOZZLE ASS'Y		1		
F09	192349-3	JOINT 25		1		
F37	191N60-8	DUST COVER SET		1		

Please state Parts No. when your order.

Print Date 27/12/2023