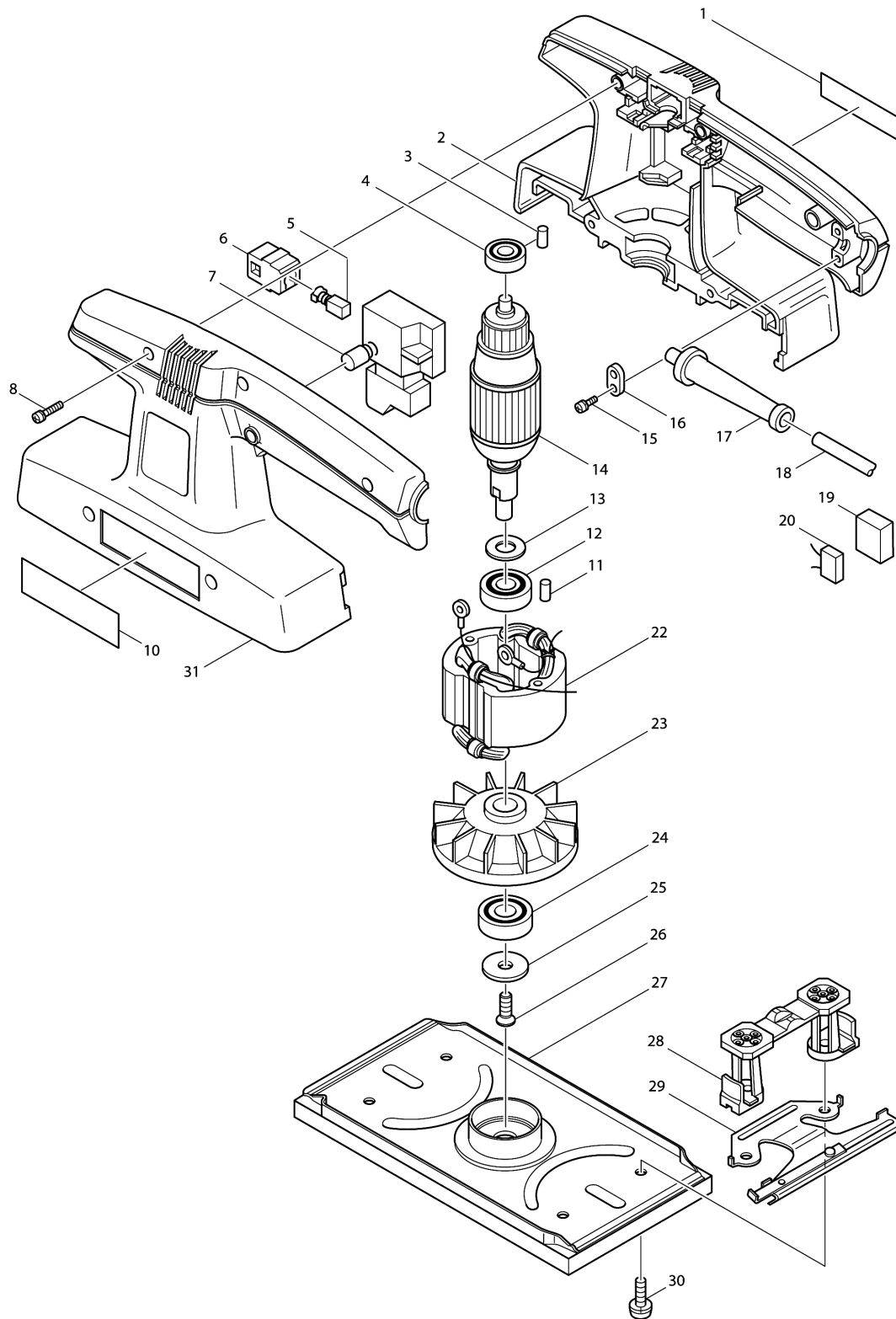


Model No.9035 FINISHING SANDER



Model No.9035 FINISHING SANDER

Item	Parts No.	Description	I/C	Qty	New/Old	Opt. 1	Opt. 2	Note
001	819001-5	MAKITA LABEL		1	*			
002	181758-1	HOUSING SET		1				
D10		INC. 3,11,31						
003-1	263002-9	RUBBER PIN 4		2				
004	211026-9	BALL BEARING 627LLB		1	*			
004-1	210025-8	BALL BEARING 627LLB	O	1				
005C_	191627-8	CARBON BRUSH CB-64		1	*			
005C1	194968-1	CARBON BRUSH SET CB-64	O	1				
006	643552-4	BRUSH HOLDER 5-8		2				
007G_	651232-8	SWITCH SGEL206C		1	*			
007G1	651232-8	SWITCH SGEL206C	O	1				
008	911158-9	PAN HEAD SCREW M4X30		5				
010	854712-5	NAME PLATE 9035		1				
011	263002-9	RUBBER PIN 4		1				
012	211106-1	BALL BEARING 6201LLB		1	*			
012-1	211144-3	BALL BEARING 6201LLB	O	1	*			
012-2	211106-1	BALL BEARING 6201LLB	O	1				
013	253069-5	FLAT WASHER 12		1	*			
013-1	961015-1	STOP RING E-9	X	1	*			
013-2	961016-9	STOP RING E-10	X	1				
014C1	517043-0	ARMATURE ASS'Y 220V		1				
D10		INC. 4,12,13						
015-1	911133-5	PAN HEAD SCREW M4X18		2				
016	687001-1	STRAIN RELIEF		1				
017	682502-4	CORD GUARD 8-85		1				
018I1	666053-5	POWER SUPPLY CORD 1.0-2-2.0		1				
019B_	685725-3	SPONGE SHEET		1				
020-1	645105-5	NOISE SUPPRESSOR		1				
022E_	528632-6	FIELD ASS'Y 220V		1				
C10	654002-4	TERMINAL 1.25-M4		2				
023	241618-0	FAN 68		1				
024-1	211129-9	BALL BEARING 6201DDW		1	*			
024-2	211146-9	BALL BEARING 6201DDW	O	1	*			
024-3	211129-9	BALL BEARING 6201DDW	O	1				
025	253930-6	FLAT WASHER 7		1				
026-1	251372-8	+ COUNTERSUNK HEAD SCREW M5X12		1				
027	155174-3	BASE COMPLETE		1				
C10	423016-2	SPONGE RUBBER		1				
028-1	410918-1	FOOT		2				
029	163107-4	CLAMPER		2				
030-1	911116-5	PAN HEAD SCREW M4X12		4				
031	181758-1	HOUSING SET		1				
D10		INC. 2,3,11						
400	794028-5	ABRASIVE PAPER SET 93		1				

Please order the parts with part number.

Print Date 25/10/2023