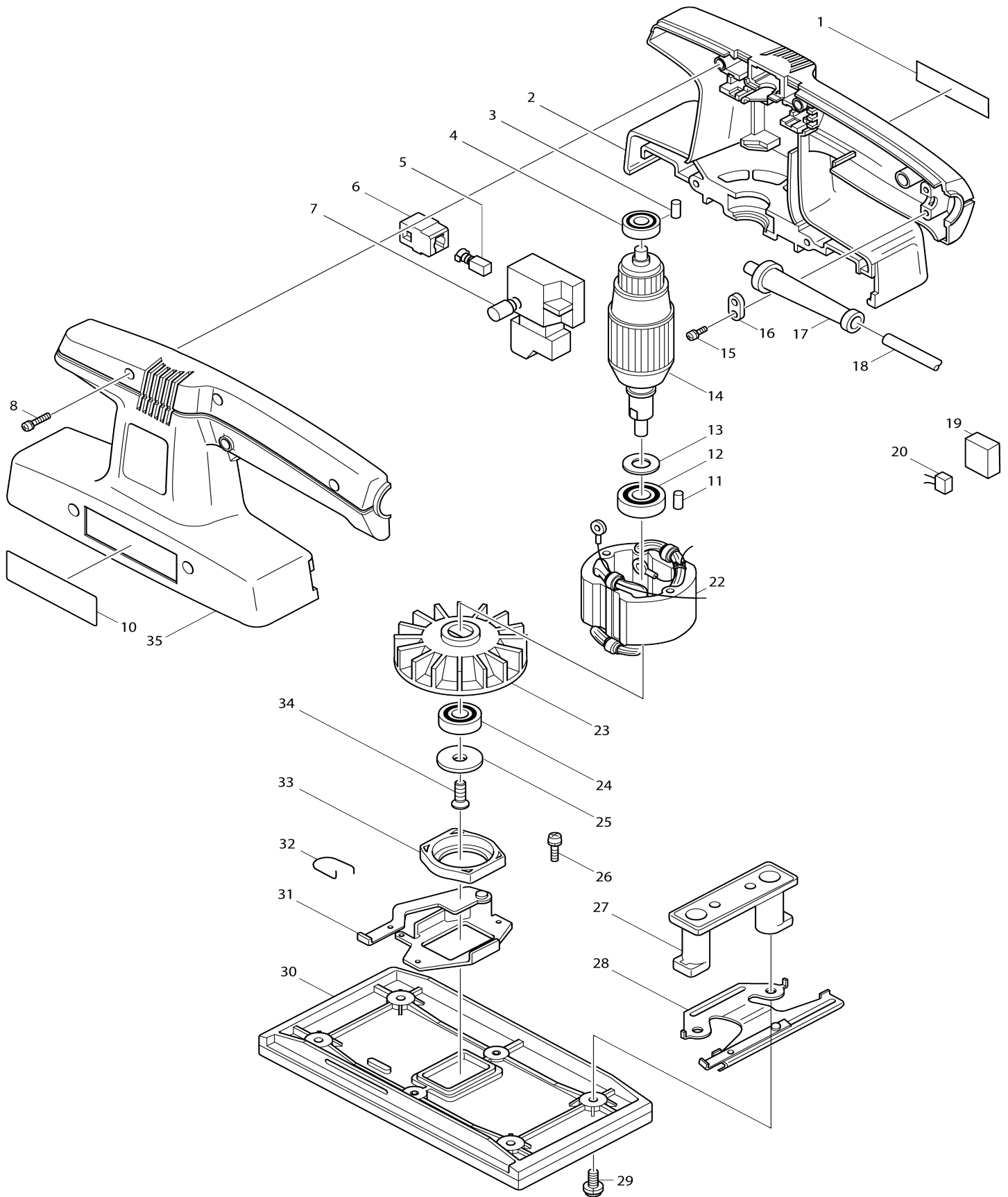


# Model No.9035N DUAL ACTION FINISHING SANDER



Model No.9035N DUAL ACTION FINISHING SANDER

Item No.	Parts No.	Description	Interchangability	Q'ty	New/Old	Note1	Note2
001	819001-5	MAKITA LABEL		1	*		
002	181758-1	HOUSING SET		1			
D10		INC. 3,11,35					
003	263002-9	RUBBER PIN 4		1			
004	211026-9	BALL BEARING 627LLB		1	*		
004-1	210025-8	BALL BEARING 627LLB	O	1			
005C_	191627-8	CARBON BRUSH CB-64		1	*		
005C1	194968-1	CARBON BRUSH SET CB-64	O	1			
006	643552-4	BRUSH HOLDER 5-8		2			
007F_	651235-2	SWITCH C2M-A1T		1			
008	911158-9	PAN HEAD SCREW M4X30		5			
010	855170-8	NAME PLATE 9035N		1			
011	263002-9	RUBBER PIN 4		1			
012	211106-1	BALL BEARING 6201LLB		1			
013	253069-5	FLAT WASHER 12		1	*		
013-1	961015-1	STOP RING E-9	X	1	*		
013-2	961016-9	STOP RING E-10	X	1			
014F_	518041-7	ARMATURE ASS'Y 220V		1	*		
D10		INC. 4,12,13					
014F1	517048-0	ARMATURE ASS'Y 220V	O	1			
D10		INC. 4,12,13					
015-1	911133-5	PAN HEAD SCREW M4X18		2			
016	687001-1	STRAIN RELIEF		1			
017	682502-4	CORD GUARD 8-85		1			
018K1	666053-5	POWER SUPPLY CORD 1.0-2-2.0		1			
020A_	645209-3	NOISE SUPPRESSOR		1			
022C_	521299-9	FIELD ASS'Y 220V		1	*		
C10	654002-4	TERMINAL 1.25-M4		2	*		
022C1	593008-6	FIELD ASS'Y 220V	O	1			
C10	654002-4	TERMINAL 1.25-M4		2			
023	241645-7	FAN 73		1			
024-1	211131-2	BALL BEARING 6001DDW		1			
025	267001-3	FLAT WASHER 7		1			
026	911106-8	PAN HEAD SCREW M4X8		2			
027	421273-6	FOOT		2			
028	163107-4	CLAMPER		2			
029-1	265005-9	+PAN HEAD SCREW M4X12		4			
030-1	150344-9	BASE COMPLETE		1			
031-1	163223-2	GUIDE PLATE		1			
032	231572-6	TORSION SPRING		1			
033	410436-9	BEARING BOX		1			
034-1	251372-8	+ COUNTERSUNK HEAD SCREW M5X12		1			
035	181758-1	HOUSING SET		1			
D10		INC. 2,3,11					
400	794028-5	ABRASIVE PAPER SET 93		1			

Please state Parts No. when your order.

Print Date 10/09/2023