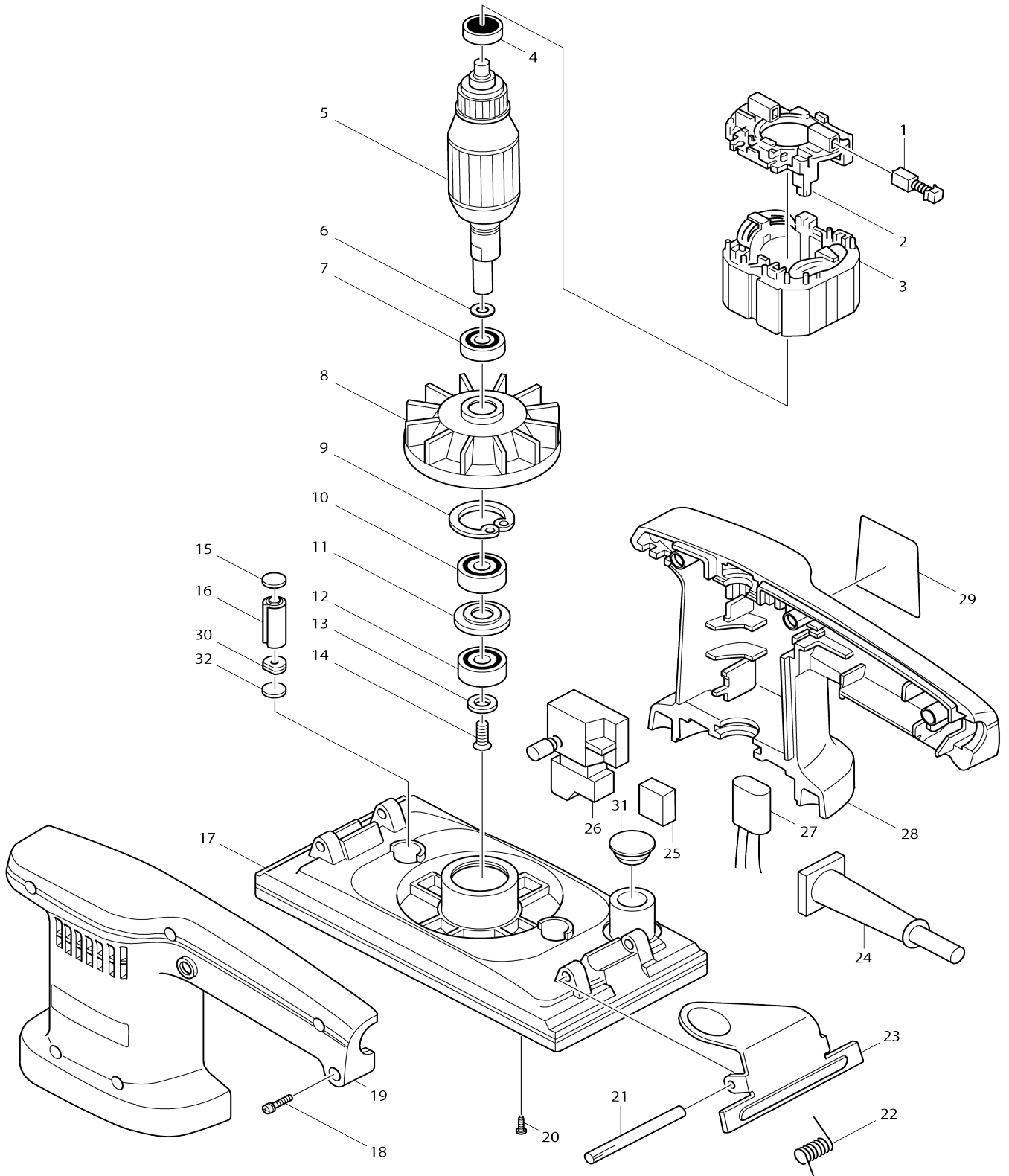


Model No.9036 FINISHING SANDER



Model No.9036 FINISHING SANDER

Item No.	Parts No.	Description	Interchangability	Q'ty	New/Old	Note1	Note2
001A_	191914-5	CARBON BRUSH CB-70		1			
002A_	632107-0	Terminal base complete 55A		1			
003C_	633073-4	Field 220V		1			
004	211026-9	BALL BEARING 627LLB		1	*		
004-1	210025-8	BALL BEARING 627LLB	O	1			
005C_	511848-0	Armature assembly 220V		1			
D10		INC. 4,6,7					
006	961016-9	STOP RING E-10		1			
007	211101-1	BALL BEARING 6001LLB		1			
008	241654-6	Fan 68		1			
009	962115-0	RETAINING RING R-26		1			
010	211056-0	BALL BEARING 629LLB		1	*		
010-1	211092-6	BALL BEARING 629DDW	O	1	*		
010-2	210078-7	BALL BEARING 629DDW	O	1	*		
010-3	211092-6	BALL BEARING 629DDW	O	1			
011	257154-6	Ring 9		1			
012	211056-0	BALL BEARING 629LLB		1	*		
012-1	211092-6	BALL BEARING 629DDW	O	1	*		
012-2	210078-7	BALL BEARING 629DDW	O	1	*		
012-3	211092-6	BALL BEARING 629DDW	O	1			
013	253825-3	FLAT WASHER 6		1			
014	251304-5	+ COUNTERSUNK HEAD SCREW M4X12		1			
015	343650-1	Plate		2			
016	421339-2	Foot		2	*		
016-1	421538-6	Foot	S	2			
017-1	150248-5	Base complete		1	*		
C10	423169-7	SPONGE RUBBER		1	*		
017-2	122442-9	Base assembly	O	1			
C10	423272-4	SPONGE RUBBER		1			
C20	343576-7	Plate		1			
C30	415612-0	Elbow		1			
C40	266026-4	TAPPING SCREW BIND CT 4X12		1			
D10		INC. 20					
018	911158-9	PAN HEAD SCREW M4X30		6			
019	182232-2	Housing set (blue)		1			
D10		INC. 28					
020	911113-1	PAN HEAD SCREW M4X10 WITH WR		4	*		
020-1	266026-4	TAPPING SCREW BIND CT 4X12	X	4			
021	256739-5	PIN 4-55		2			
022	231586-5	Torsion spring 4		2			
023	343539-3	PAPER CLAMP		2			
024L1	665383-1	POWER SUPPLY CORD 1.0-2-2.0		1			
025	685725-3	SPONGE SHEET		1			
026A_	651232-8	SWITCH SGEL206C		1	*		
026A1	651232-8	SWITCH SGEL206C	O	1			
027A_	645105-5	NOISE SUPPRESSOR		1			

028	182232-2	Housing set (blue)		1		
D10		INC. 19				
029	856322-4	Name plate 9036		1		
030	162145-3	Foot receiver		2	*	
030-1	421539-4	Foot receiver	S	2		
031	286233-3	CAP 19		1		
032	343650-1	Plate		2		
A01A 2	794156-6	ABRASIVE PAPER 93X228 #60		1		
A01B 2	794157-4	ABRASIVE PAPER 93X228 #100		1		
A01C 2	794158-2	ABRASIVE PAPER 93X228 #150		1		
E02	682502-4	CORD GUARD 8-85		1		
E03	163292-3	Punch plate		1		
E04	415611-2	JOINT 20		1		
E05	213223-3	O RING 16		1		

Please state Parts No. when your order.

Print Date 10/09/2023