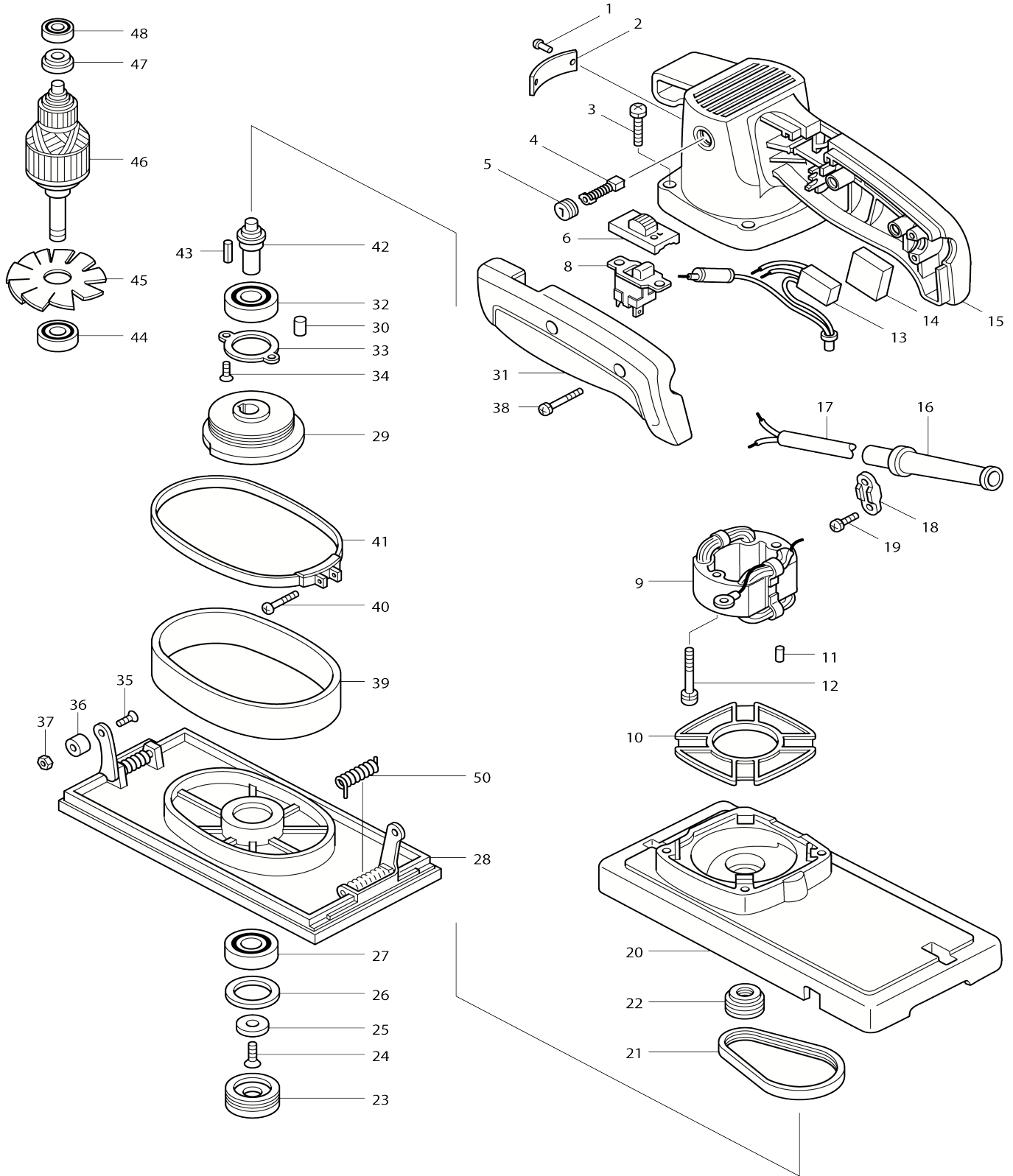


Model No.9045B FINISHING SANDER



Model No.9045B FINISHING SANDER

Item No.	Parts No.	Description	Interchangability	Q'ty	New/Old	Note1	Note2
001	953106-2	RIVET 0-5		2	*		
002	815277-2	NAME PLATE 9045B		1	*		
002-1	862429-6	NAME PLATE 9045B	X	1			
003	911258-5	PAN HEAD SCREW M5X35		4			
004	181030-1	CARBON BRUSH CB-100		1			
005	643600-9	BRUSH HOLDER CAP 6-10		2			
006A_	652153-7	SLIDE COVER D.		1	*		
006A1	652191-9	SLIDE COVER	X	1	*		
006A2	652191-9	SLIDE COVER	O	1			
008A1	651653-4	SWITCH SS203KY-3		1	*		
008A2	651656-8	SWITCH SS203KY-3	S	1			
009E1	528297-4	FIELD ASS'Y 220V		1			
C10	654019-7	RING TERMINAL		2			
C20	654501-6	CONNECTOR P-1.25		2			
010	411628-3	BAFFLE PLATE		1			
011	263002-9	RUBBER PIN 4		1			
012-2	911265-8	PAN HEAD SCREW M5X40		2			
013B_	645208-5	NOISE SUPPRESSOR		1			
014-2	685725-3	SPONGE SHEET		1			
015	156537-6	MOTOR HOUSING		1	*		
C10	643603-3	BRUSH HOLDER 6-10		2	*		
C20	913206-0	SET SCREW M5X8		2	*		
C30	263002-9	RUBBER PIN 4		1	*		
015-1	154989-5	MOTOR HOUSING	X	1			
C10	643603-3	BRUSH HOLDER 6-10		2			
016	682504-0	CORD GUARD 10-85		1			
017M_	665016-8	POWER SUPPLY CORD 1.00-2-2.5		1			
018C1	687031-2	STRAIN RELIEF		1			
019-1	911133-5	PAN HEAD SCREW M4X18		2			
020-1	159533-3	FRAME		1			
C10	212005-0	NEEDLE BEARING 810		1			
D10		INC. 11					
021	225049-1	POLY V-BELT 3-250		1			
022	222072-7	V-PULLEY 3-26		1			
023-1	285818-2	BEARING RETAINER 12-33		1			
024	912212-2	COUNTERSUNK HEAD SCREW M5 X12		1			
025	253930-6	FLAT WASHER 7		1			
026	253792-2	FLAT WASHER 26		1			
027-1	211275-8	BALL BEARING 6003DDW		1			
028-2	134645-3	BASE ASS'Y		1			
C10	423209-1	SPONGE RUBBER		1			
C31	256748-4	PIN 4-50		2			
C51	165007-4	PAPER CLAMP		2			
D10		INC. 50					
029	315095-3	BALANCE WEIGHT		1			
030	263005-3	RUBBER PIN 6		1			

031	411617-8	HANDLE COVER		1		
032	211201-7	BALL BEARING 6002LLB		1		
033	285615-6	BEARING RETAINER 40		1		
034	912117-6	COUNTERSUNK HEAD SCREW M4 X12		2		
035	912112-6	COUNTERSUNK HEAD SCREW M4 X10		2		
036-1	411625-9	PUSH BUTTON		2		
D10		INC. 37				
037	931102-0	HEX. NUT M4		2		
038	911158-9	PAN HEAD SCREW M4X30		2		
039	421155-2	RUBBER SLEEVE		1		
040	911146-6	PAN HEAD SCREW M4X25		2		
041	164496-0	STEEL BAND		2		
042	321114-5	SPINDLE		1		
043	254204-8	KEY 4		1		
044	211066-7	BALL BEARING 6200LLB		1		
045	241097-2	FAN 75		1		
046C_	512698-6	ARMATURE ASS'Y 220V		1		
D11		INC. 44,45,47,48				
047-1	681613-2	INSULATION WASHER		1		
048	211033-2	BALL BEARING 608LB		1		
050	231534-4	TORSION SPRING 4		2		
400	794196-4	ABRASIVE PAPER SET 114X280		1		
900	819063-3	MAKITA LABEL		1		

Please state Parts No. when your order.

Print Date 10/25/2023