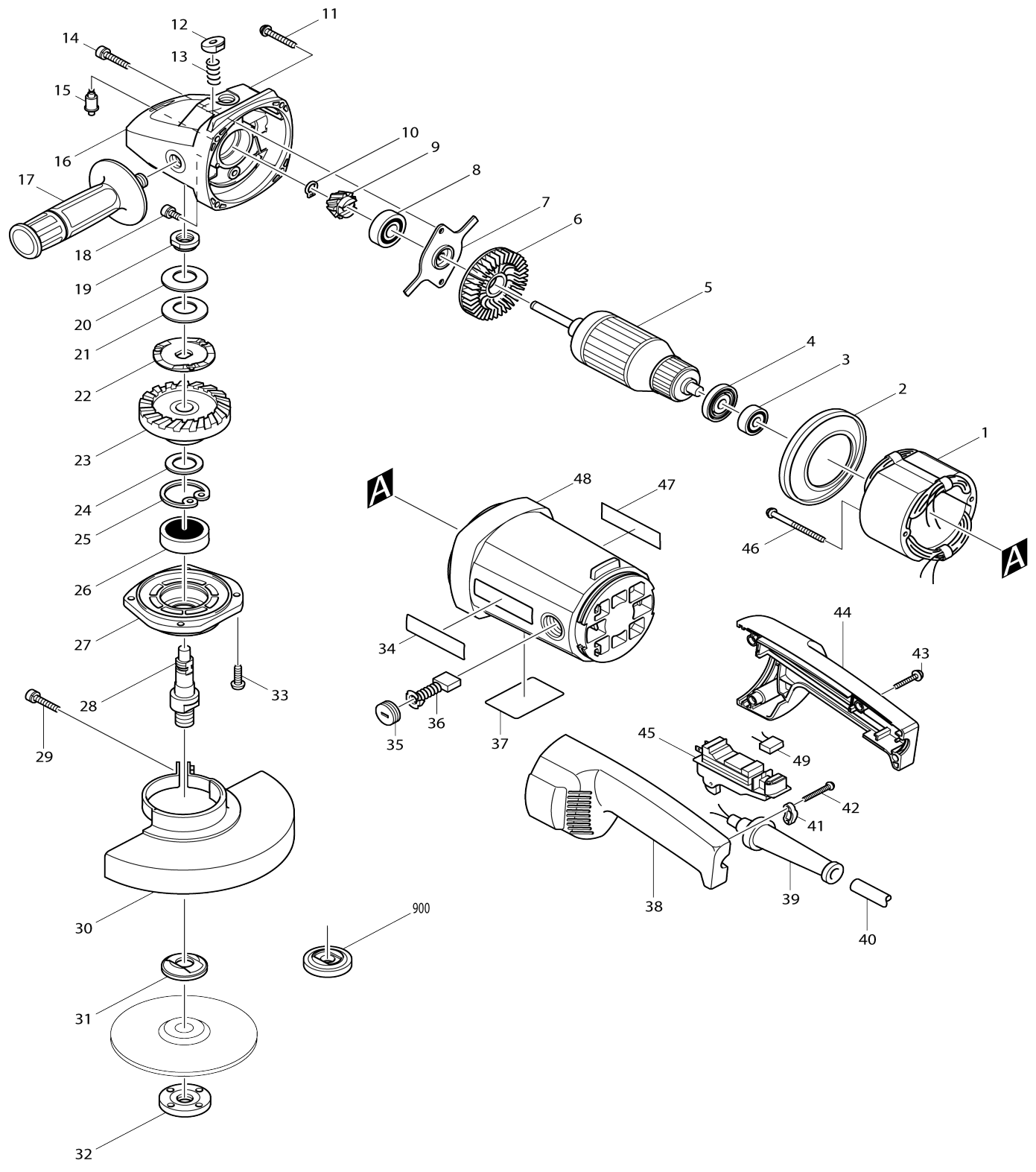


Model No.9049S 230MM ANGLE GRINDER



Model No.9049S 230MM ANGLE GRINDER

Item No.	Parts No.	Description	Interchangability	Q'ty	New/Old	Note1	Note2
001B_	526048-9	FIELD ASS'Y 220V		1			
C10	654098-5	RECEPTACLE		2	*		
C11	654208-4	RECEPTACLE	X	2			
002	416131-9	BAFFLE PLATE		1			
003	211087-9	BALL BEARING 6200DDW		1			
004	681630-2	INSULATION WASHER		1			
005B_	516708-1	ARMATURE ASS'Y 220V		1	*		
D10		INC. 3,4,6					
005B1	516708-1	ARMATURE ASS'Y 220V	<	1			
D10		INC. 3,4,6					
006	241908-1	FAN 80		1			
007	285832-8	BEARING RETAINER 60		1			
008	211132-0	BALL BEARING 6301DDW		1			
009	226740-4	SPIRAL BEVEL GEAR 12		1			
010	961005-4	RETAINING RING S-9		1			
011A_	266152-9	TAPPING SCREW FLANGE PF 5X35		4	*		
011A1	266012-5	TAPPING SCREW 5X35	O	4			
012	416132-7	PIN CAP		1			
013	233031-6	COMPRESSION SPRING 12		1			
014	266129-4	HEX. SOCKET HEAD BOLT M5X25		1			
015	256445-2	PIN 6		1			
016	159907-8	GEAR HOUSING COMPLETE		1	*		
C10	213515-0	O RING 36		1	*		
016-1	151859-9	GEAR HOUSING COMPLETE	S	1	*		
C10	213515-0	O RING 36		1	*		
C20	212074-1	NEEDLE BEARING 1012		1	*		
016-2	125201-0	GEAR HOUSING ASS'Y	<	1			
C10	213515-0	O RING 36		1			
C20	212074-1	NEEDLE BEARING 1012		1			
C30	151859-9	GEAR HOUSING COMPLETE		1			
D10		INC. 12,13,15					
017	152539-0	GRIP 36 COMPLETE		1			
018	265976-0	HEX.SOCKET HEAD BOLT M5X10		1			
019	252425-6	CIRCULAR NUT M15-23		1			
020	232163-6	CUP SPRING 20		1			
021	232163-6	CUP SPRING 20		1			
022	267725-1	LOCK WASHER		1			
023	226739-9	SPIRAL BEVEL GEAR 53		1			
024	267167-9	FLAT WASHER 15		1			
025	962157-4	RETAINING RING R-40		1			
026	211278-2	BALL BEARING 6203DDW		1			
027	316855-6	BEARING BOX		1			
028	322902-3	SPINDLE		1			
029	265050-4	PAN HEAD SCREW M8X25		1			
030	165000-8	WHEEL COVER		1	*		
030-1	165216-5	WHEEL COVER	O	1			
031	224298-7	INNER FLANGE 42		1	*		

031-1	224415-9	INNER FLANGE 42	<	1			
031A_	122444-5	INNER FLANGE 47 ASS'Y		1			
032	224543-0	LOCK NUT 14-45		1			
033	266027-2	TAPPING SCREW CT5X16		4	*		
033-1	911226-8	PAN HEAD SCREW M5X18	X	4	*		
033-2	911230-7	PAN HEAD SCREW M5X18	<	4			
034	819064-1	MAKITA MARK		1			
035	643700-5	BRUSH HOLDER CAP 7-18		2			
036	191957-7	A.C. CARBON BRUSH CB-204		1	*		
036-1	194992-4	CARBON BRUSH SET CB-204	O	1			
037A_	858630-9	NAME PLATE 9049S		1			
038	182842-5	HANDLE SET		1			
D10		INC. 44					
039A_	682540-6	CORD GUARD 9.3-90		1			
040N_	665630-0	POWER SUPPLY CORD 1.5-2-2.5		1	*		
040N 1	695107-1	POWER SUPPLY CORD 1.5-2-2.5	O	1			
041C_	687053-2	STRAIN RELIEF		1			
042A_	266121-0	TAPPING SCREW FLANGE PF 4X1 8		2	*		
042A1	265995-6	TAPPING SCREW 4X18	O	2			
043A_	266119-7	TAPPING SCREW FLANGE PF 4X2 5		4	*		
043A1	265999-8	TAPPING SCREW 4X25	O	4			
044	182842-5	HANDLE SET		1			
D10		INC. 38					
045B1	651147-9	SWITCH 1362.0102	O	1	*		
045B2	651178-8	SWITCH 1362.0112	O	1			
046A_	266109-0	TAPPING SCREW FLANGE PF 5X6 5		2	*		
046A1	266029-8	TAPPING SCREW 5X65	O	2			
047	819064-1	MAKITA MARK		1			
048A_	159952-3	MOTOR HOUSING COMPLETE		1			
C10	643705-5	BRUSH HOLDER		2	*		
C11	643707-1	BRUSH HOLDER	O	2			
049A1	645216-6	NOISE SUPPRESSOR	O	1	*		
049A2	645140-3	NOISE SUPPRESSOR	O	1			
050A_	539121-6	RESISTOR ASS'Y 200/220/240V		1	*		
050A1	539183-4	RESISTOR ASS'Y 200/220/240V	O	1			
051	442129-0	GASKET		1			
A01	782407-9	LOCK NUT WRENCH 35		1	*		
A01-1	782034-2	LOCK NUT WRENCH 35	O	1			
B01	125061-0	TORQUE LIMITER ASS'Y		1			
D10		INC. 19-28					
F05	192227-7	SUPER FLANGE		0			

Please state Parts No. when your order.

Print Date 10/09/2023