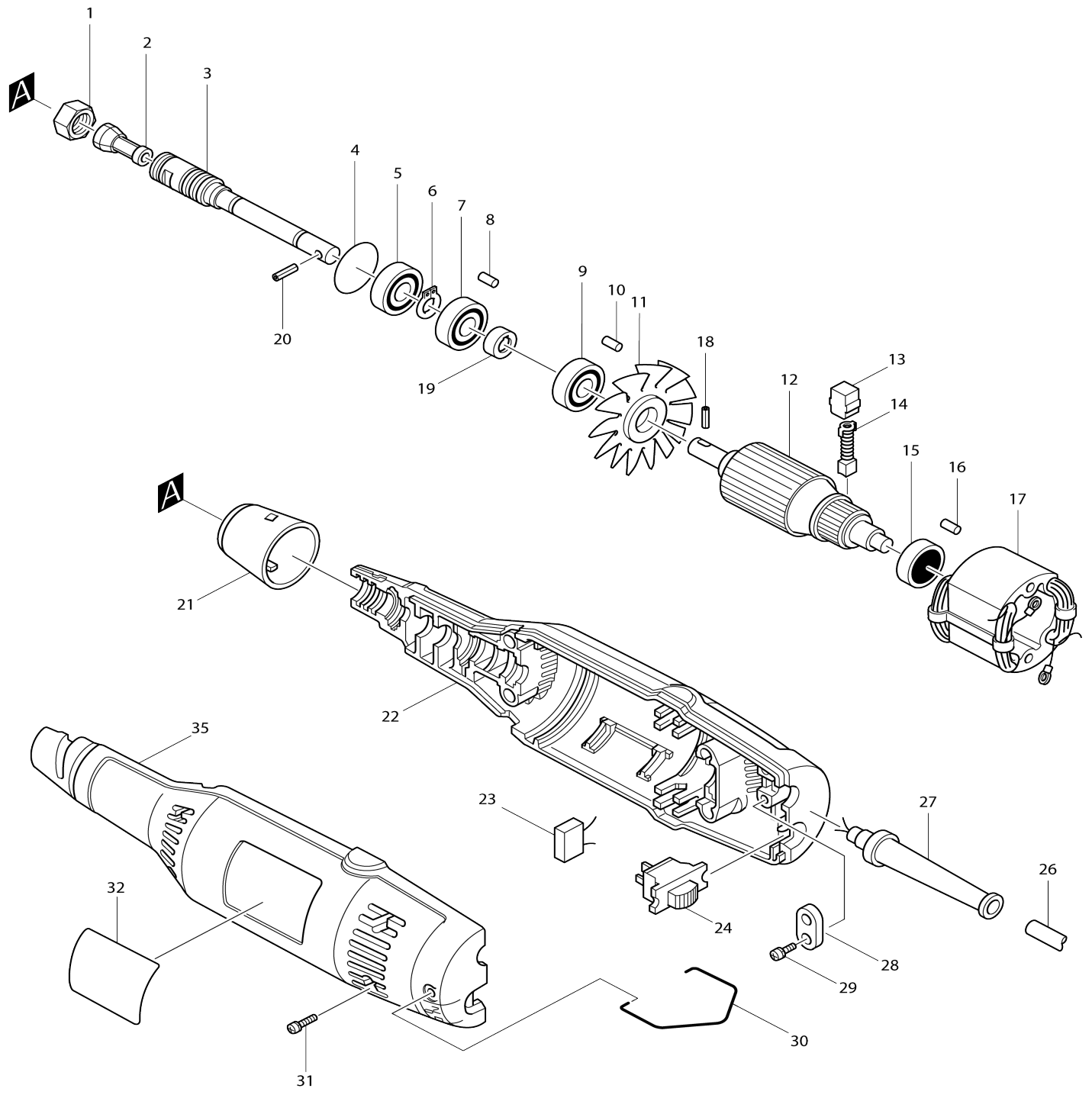


Model No.906 DIE GRINDER



Model No.906 DIE GRINDER

Item No.	Parts No.	Description	Interchangability	Q'ty	New/Old	Note1	Note2
001	763606-2	COLLET NUT 6		1	*		
001-1	763240-8	COLLET NUT 6	<	1			
002	763625-8	COLLET CONE 1/4"		1	*		
002-1	763620-8	COLLET CONE 6MM	X	1	*		
002-2	763620-8	COLLET CONE 6MM	O	1			
003	321194-1	SPINDLE		1			
004	213373-4	O RING 22		1			
005	211033-2	BALL BEARING 608LB		1	*		
005-1	211031-6	BALL BEARING 608LLB	<	1			
006	961004-6	RETAINING RING (EXT) S-8		1			
007	211033-2	BALL BEARING 608LB		1	*		
007-1	211031-6	BALL BEARING 608LLB	O	1			
008	263002-9	RUBBER PIN 4		1			
009	211033-2	BALL BEARING 608LB		1	*		
009-1	211031-6	BALL BEARING 608LLB	O	1			
010	263002-9	RUBBER PIN 4		1			
011	241100-9	FAN 52		1			
012C_	511403-8	ARMATURE ASS'Y 220V		1			
D10		INC. 9,11,15					
013	643552-4	BRUSH HOLDER 5-8		2			
014C_	191627-8	CARBON BRUSH CB-64		1	*		
014C1	194968-1	CARBON BRUSH SET CB-64	O	1			
015	211028-5	BALL BEARING 627LB		1	*		
015-1	210025-8	BALL BEARING 627LLB	O	1			
016	263002-9	RUBBER PIN 4		1			
017C_	521388-0	FIELD ASS'Y 220V		1			
C10	654002-4	TERMINAL 1.25-M4		2			
018-1	951057-3	SPRING PIN 3-12		1			
019-4	410986-4	COUPLING		1	*		
019-5	456337-7	COUPLING	O	1			
020-1	951057-3	SPRING PIN 3-12		1			
021	341553-3	CAP		1			
022	181675-5	HOUSING SET		1			
D10		INC. 8,10,16,35					
023D_	645105-5	NOISE SUPPRESSOR		1			
024	651600-5	SWITCH SS106A		1	*		
024-1	651603-9	SWITCH SS106A-5	O	1			
026B_	665394-6	POWER SUPPLY CORD 1.0-2-2.5		1			
027	682500-8	CORD GUARD 8.5-72		1			
028D_	687031-2	STRAIN RELIEF		1			
029-1	911133-5	PAN HEAD SCREW M4X18		2			
030	321193-3	HANGER		1			
031	911148-2	PAN HEAD SCREW M4X25		4			
032	815460-1	NAME PLATE 906		1	*		
032-1	814R99-5	NAME PLATE 906	<	1			
035	181675-5	HOUSING SET		1			
D10		INC. 8,10,16,22					

400	794217-2	DRESSING STONE		1	*		
401	781003-0	WRENCH 10		1	*		
401-1	781036-5	WRENCH 10	O	1			
402	781008-0	WRENCH 17		1			
403	741617-7	WHEEL POINT 1-19-60		1	*		
403-1	741614-3	WHEEL POINT 1-19-60	X	1	*		
404	741616-9	WHEEL POINT 4-19-60		1	*		
404-1	741615-1	WHEEL POINT 4-19-60	X	1	*		
405	199105-2	WHEEL POINT SET EN		1			
C10	741614-3	WHEEL POINT 1-19-60		1			
C20	741615-1	WHEEL POINT 4-19-60		1			
C30	741809-8	DRESSING STONE		1			

Please state Parts No. when your order.

Print Date 10/05/2023