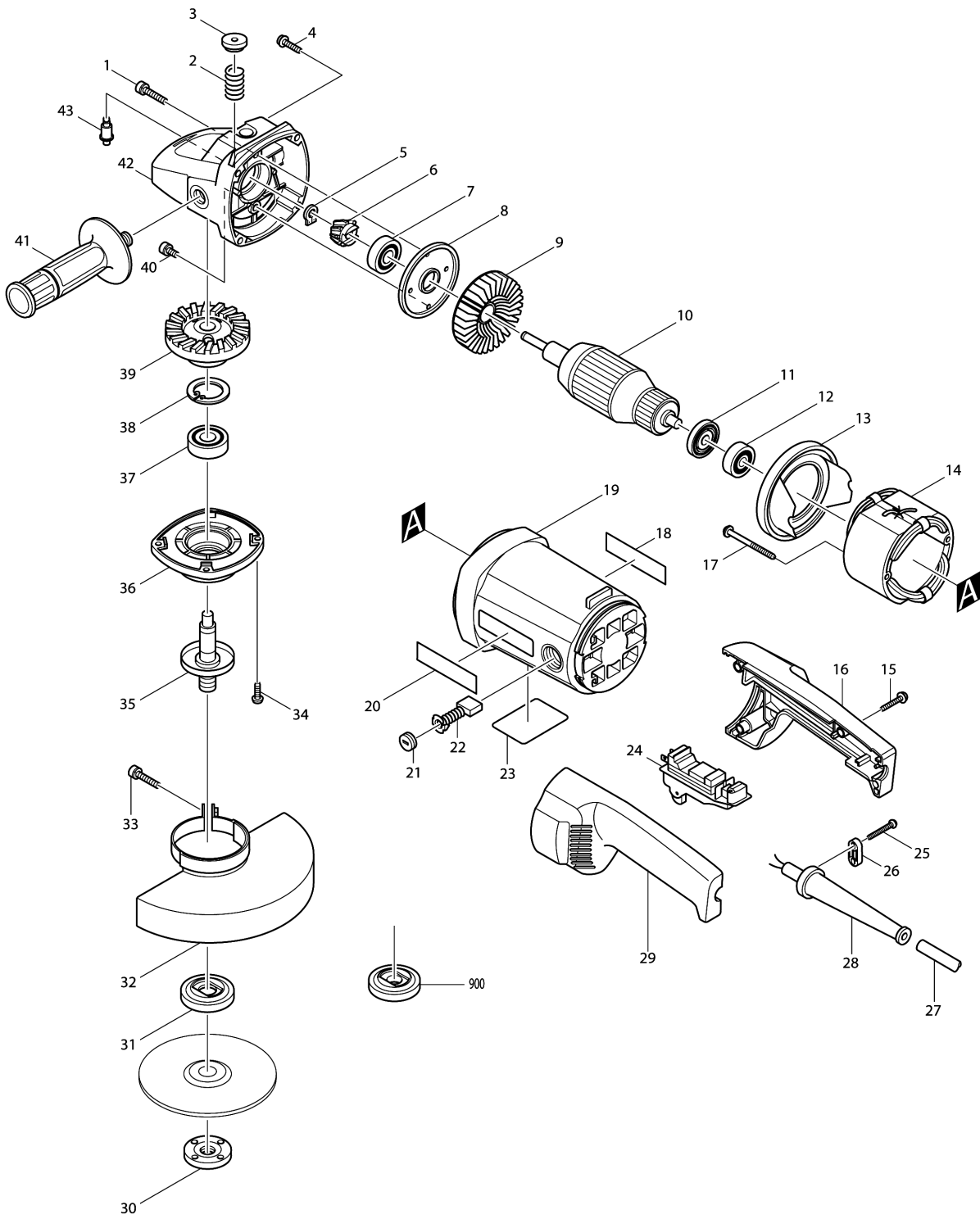


Model No.9067 180MM ANGLE GRINDER



Model No.9067 180MM ANGLE GRINDER

Item	Parts No.	Description	I/C	Qty	New/Old	Opt. 1	Opt. 2	Note
001	265976-0	HEX.SOCKET HEAD BOLT M5X10		1				
002	233089-5	COMPRESSION SPRING 12		1	*			
002-1	233292-8	COMPRESSION SPRING 12	O	1				
003	416449-8	PIN CAP		1				
004	266012-5	TAPPING SCREW 5X35		4				
005	961005-4	RETAINING RING S-9		1				
006	226774-7	SPIRAL BEVEL GEAR 15		1				
007	211132-0	BALL BEARING 6301DDW		1				
008	285688-9	BEARING RETAINER 57		1				
009	240011-5	FAN 80		1				
010A	516773-0	ARMATURE ASS'Y 220-240V		1	*			
D10		INC. 9,11,12			*			
010-1A	516773-0	ARMATURE ASS'Y 220-240V	<	1				
D10		INC. 9,11,12						
011A	681630-2	INSULATION WASHER		1				
012A	211087-9	BALL BEARING 6200DDW		1				
013	416472-3	BAFFLE PLATE		1				
014A	526074-8	FIELD ASS'Y 230-240V		1	*			
C10	654098-5	RECEPTACLE		2	*			
C11	654208-4	RECEPTACLE	X	2	*			
014B	526074-8	FIELD ASS'Y 230-240V		1				
014-1A	526074-8	FIELD ASS'Y 230-240V	O	1				
C11	654208-4	RECEPTACLE	X	2				
015	265999-8	TAPPING SCREW 4X25		4				
016	183029-2	HANDLE SET		1				
D10		INC. 29						
017	266044-2	TAPPING SCREW 5X60		2				
018A	819001-5	MAKITA LABEL		1				
019	150969-9	MOTOR HOUSING COMPLETE		1				
C10	643707-1	BRUSH HOLDER		2				
020A	819001-5	MAKITA LABEL		1				
021	643700-5	BRUSH HOLDER CAP 7-18		2				
022	191957-7	A.C. CARBON BRUSH CB-204		1	*			
022-1	194992-4	CARBON BRUSH SET CB-204	O	1				
023	859835-4	NAME PLATE 9067		1				
024A	651146-1	SWITCH 1267.5102		1	*			
024-1A	650100-2	SWITCH TG08-1300-011	O	1				
025	265995-6	TAPPING SCREW 4X18		2				
026A	687063-9	CORD CLAMP		1	*			
026-1A	687052-4	STRAIN RELIEF	X	1	*			
026-2A	687124-5	STRAIN RELIEF	O	1				
027A	665865-3	POWER SUPPLY CORD 1.0-2- 2.5		1				
028A	682540-6	CORD GUARD 9.3-90		1				
029	183029-2	HANDLE SET		1				

Please order the parts with part number.

Print Date 1/11/2023

Model No.9067 180MM ANGLE GRINDER

Item	Parts No.	Description	I/C	Qty	New/Old	Opt. 1	Opt. 2	Note
D10		INC. 16						
030	224543-0	LOCK NUT 14-45		1				
031A	224298-7	INNER FLANGE 42		1	*			
031B	122444-5	INNER FLANGE 47 ASS'Y		1				
031-1A	224415-9	INNER FLANGE 42	<	1	*			
031-2A	224490-5	INNER FLANGE 14-45	O	1				
032	165215-7	WHEEL COVER		1				
033	265050-4	PAN HEAD SCREW M8X25		1	*			
033-1	265198-2	+PAN HEAD SCREW M8X25	O	1				
034	266027-2	TAPPING SCREW CT5X16		4	*			
034-1	911226-8	PAN HEAD SCREW M5X18	S	4	*			
034-2	911230-7	PAN HEAD SCREW M5X18	<	4	*			
034-3	266086-6	HEX. SOCKET HEAD BOLT M5X16	<	4				
035A	152606-1	SPINDLE COMPLETE		1				
C10	344611-4	LABYRINTH RING		1				
036	317007-2	BEARING BOX		1	*			
036-1	317007-2	BEARING BOX	<	1				
037	211278-2	BALL BEARING 6203DDW		1				
038	962157-4	RETAINING RING R-40		1				
039	226773-9	SPIRAL BEVEL GEAR 49		1				
040	265976-0	HEX.SOCKET HEAD BOLT M5X10		1				
041	152539-0	GRIP 36 COMPLETE		1				
042	150968-1	GEAR HOUSING COMPLETE		1	*			
042-1	151631-9	GEAR HOUSING COMPLETE	S	1				
C10	212074-1	NEEDLE BEARING 1012		1				
043	256452-5	PIN 8		1	*			
043-1	256452-5	PIN 8	O	1				
044	442124-0	GASKET		1				
A01A	782407-9	LOCK NUT WRENCH 35		1	*			
A01-1A	782034-2	LOCK NUT WRENCH 35	O	1				
E01A	645214-0	NOISE SUPPRESSOR		1	*			
E01-1A	645088-9	NOISE SUPPRESSOR	O	1				
F02	192227-7	SUPER FLANGE		0				

Please order the parts with part number.

Print Date 1/11/2023