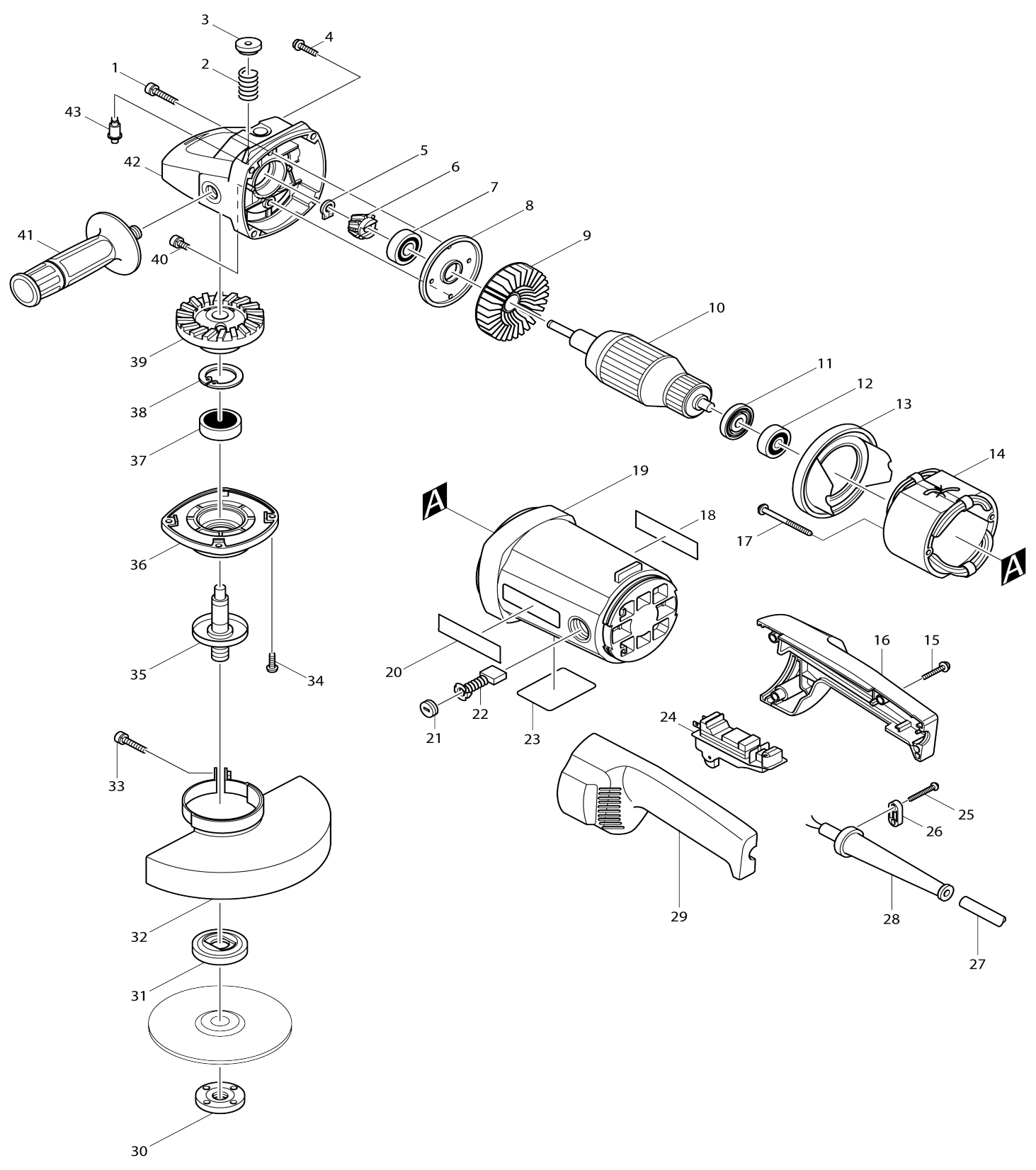


Model No.9069S 230MM ANGLE GRINDER



Model No.9069S 230MM ANGLE GRINDER

Item No.	Parts No.	Description	Interchangability	Q'ty	New/Old	Note1	Note2
001	265976-0	HEX.SOCKET HEAD BOLT M5X10		1			
002	233089-5	COMPRESSION SPRING 12		1	*		
002-1	233292-8	COMPRESSION SPRING 12	O	1			
003	416449-8	PIN CAP		1			
004	266012-5	TAPPING SCREW 5X35		4			
005	961005-4	RETAINING RING S-9		1			
006	226772-1	SPIRAL BEVEL GEAR 12		1	*		
006-1	227500-7	SPIRAL BEVEL GEAR 12	S	1			
007	211132-0	BALL BEARING 6301DDW		1			
008	285688-9	BEARING RETAINER 57		1			
009	240011-5	FAN 80		1			
010	516773-0	ARMATURE ASS'Y 220-240V		1	*		
D10		INC. 9,11,12					
010-1	516773-0	ARMATURE ASS'Y 220-240V	<	1			
D10		INC. 9,11,12					
011	681630-2	INSULATION WASHER		1			
012	211087-9	BALL BEARING 6200DDW		1			
013	416472-3	BAFFLE PLATE		1			
014	526074-8	FIELD ASS'Y 230-240V		1	*		
C10	654098-5	RECEPTACLE		2	*		
C11	654208-4	RECEPTACLE	X	2	*		
014-1	526074-8	FIELD ASS'Y 230-240V	O	1			
C11	654208-4	RECEPTACLE	X	2			
015	265999-8	TAPPING SCREW 4X25		4			
016	183029-2	HANDLE SET		1			
D10		INC. 29					
017	266044-2	TAPPING SCREW 5X60		2			
018	819001-5	MAKITA LABEL		1			
019	150969-9	MOTOR HOUSING COMPLETE		1			
C10	643707-1	BRUSH HOLDER		2			
020	819001-5	MAKITA LABEL		1			
021	643700-5	BRUSH HOLDER CAP 7-18		2			
022	191957-7	A.C. CARBON BRUSH CB-204		1	*		
022-1	194992-4	CARBON BRUSH SET CB-204	O	1			
023	859842-7	NAME PLATE 9069S		1			
024	651147-9	SWITCH 1362.0102		1	*		
024-1	651178-8	SWITCH 1362.0112	O	1			
025	265995-6	TAPPING SCREW 4X18		2			
026	687063-9	CORD CLAMP		1	*		
026-1	687052-4	STRAIN RELIEF	X	1	*		
026-2	687124-5	STRAIN RELIEF	O	1			
027	665865-3	POWER SUPPLY CORD 1.0-2-2.5		1			
028	682540-6	CORD GUARD 9.3-90		1	*		
028-1	682505-8	CORD GUARD 10-90	O	1			
029	183029-2	HANDLE SET		1			
D10		INC. 16					
030	224543-0	LOCK NUT 14-45		1			

031	122444-5	INNER FLANGE 47 ASS'Y		1		
032	165216-5	WHEEL COVER		1		
033	265050-4	PAN HEAD SCREW M8X25		1	*	
033-1	265198-2	+PAN HEAD SCREW M8X25	O	1		
034	266027-2	TAPPING SCREW CT5X16		4	*	
034-1	911226-8	PAN HEAD SCREW M5X18	S	4	*	
034-2	911230-7	PAN HEAD SCREW M5X18	<	4	*	
034-3	266086-6	HEX. SOCKET HEAD BOLT M5X16	<	4		
035	152606-1	SPINDLE COMPLETE		1		
C10	344611-4	LABYRINTH RING		1		
036	317007-2	BEARING BOX		1	*	
036-1	317007-2	BEARING BOX	<	1		
037	211278-2	BALL BEARING 6203DDW		1		
038	962157-4	RETAINING RING R-40		1		
039	226771-3	SPIRAL BEVEL GEAR 50		1	*	
039-1	227499-6	SPIRAL BEVEL GEAR 50	S	1		
040	265976-0	HEX.SOCKET HEAD BOLT M5X10		1		
041	152539-0	GRIP 36 COMPLETE		1		
042	150968-1	GEAR HOUSING COMPLETE		1	*	
042-1	151631-9	GEAR HOUSING COMPLETE	S	1		
C10	212074-1	NEEDLE BEARING 1012		1		
043	256452-5	PIN 8		1	*	
043-1	256452-5	PIN 8	O	1		
044	539121-6	RESISTOR ASS'Y 200/220/240V		1	*	
044-1	539179-5	RESISTOR ASS'Y	O	1		
045	442124-0	GASKET		1		
A01	782407-9	LOCK NUT WRENCH 35		1	*	
A01-1	782034-2	LOCK NUT WRENCH 35	O	1		
E01	645214-0	NOISE SUPPRESSOR		1	*	
E01-1	645088-9	NOISE SUPPRESSOR	O	1		
F02	192227-7	SUPER FLANGE		0		

Please state Parts No. when your order.

Print Date 11/01/2023