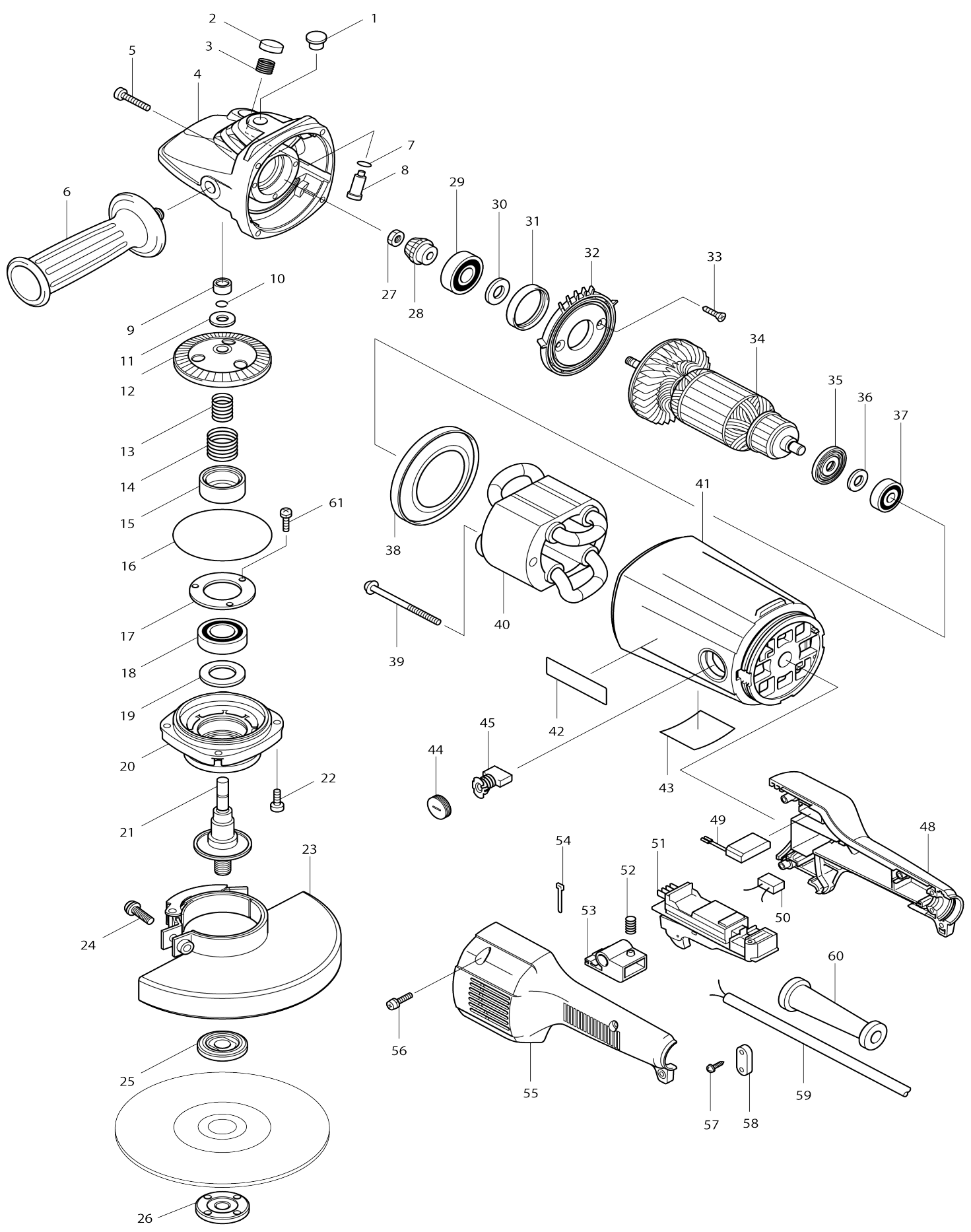


Model No.9079S 230MM ANGLE GRINDER



Model No.9079S 230MM ANGLE GRINDER

Item No.	Parts No.	Description	Interchangeability	Q'ty	New/Old	Note1	Note2
001	416972-3	CAP		1			
002	416971-5	PIN CAP		1			
003	233031-6	COMPRESSION SPRING 12		1			
004	151772-1	GEAR HOUSING COMPLETE		1			
C10	262084-8	FELT RING 18		1			
005	922261-1	HEX. SOCKET HEAD BOLT M5X40		4			
006	151776-3	GRIP 38 COMPLETE		1			
007	213011-8	O RING 7		1			
008	256455-9	PIN 11		1			
009	331566-2	SLEEVE 10		1			
010	231995-8	RING SPRING 9		1			
011	253878-2	FLAT WASHER 10		1			
012	226790-9	SPIRAL BEVEL GEAR 53		1			
013	231994-0	LOCK SPRING 17		1			
014	231993-2	LOCK SPRING 25		1			
015	323944-0	LOCK SLEEVE		1			
016	213757-6	O RING 80		1			
017	285836-0	BEARING RETAINER 50		1			
018	211326-7	BALL BEARING 6004DDW		1	*		
018-1	211326-7	BALL BEARING 6004DDW	O	1			
019	267041-1	FLAT WASHER 20		1			
020	151774-7	BEARING BOX COMPLETE		1			
C10	213360-3	OIL SEAL 25		1			
021	151777-1	SPINDLE COMPLETE		1			
C10	344611-4	LABYRINTH RING		1			
022	922221-3	HEX. SOCKET HEAD BOLT M5X16		4			
023	163411-1	WHEEL COVER		1			
024	265050-4	PAN HEAD SCREW M8X25		1	*		
024-1	265198-2	+PAN HEAD SCREW M8X25	O	1			
025	224298-7	INNER FLANGE 42		1	*		
025-1	224415-9	INNER FLANGE 42	<	1			
026	224543-0	LOCK NUT 14-45		1			
027	931403-6	HEX. NUT M8		1			
028	226789-4	SPIRAL BEVEL GEAR 11		1			
029	211132-0	BALL BEARING 6301DDW		1			
030	267113-2	FLAT WASHER 12		1	*		
030-1	267238-2	FLAT WASHER 12	O	1			
031	262085-6	RUBBER RING 38		1			
032	285835-2	BEARING RETAINER 47		1			
033	912222-9	COUNTERSUNK HEAD SCREW M5 X16		2			
034	516798-4	ARMATURE ASS'Y 220-240V		1			
C10	240025-4	FAN 80		1			
D10		INC. 35-37					
035	681630-2	INSULATION WASHER		1			
036	253001-9	FLAT WASHER 10		1			
037	211087-9	BALL BEARING 6200DDW		1			
038	416131-9	BAFFLE PLATE		1			

039	266029-8	TAPPING SCREW 5X65		2			
040A_	526089-5	FIELD ASS'Y 230-240V		1			
C10	654197-3	RING TERMINAL		2			
C20	654502-4	CONNECTOR P-2		2			
041	183147-6	MOTOR HOUSING SET		1			
C10	643712-8	BRUSH HOLDER		2			
D10		INC. 42					
042	819064-1	MAKITA MARK		2			
043	851719-2	NAME PLATE 9079S		1			
044	643700-5	BRUSH HOLDER CAP 7-18		2			
045	191957-7	A.C. CARBON BRUSH CB-204		1	*		
045-1	194992-4	CARBON BRUSH SET CB-204	O	1			
048	183117-5	HANDLE SET		1			
C10	421701-1	SPONGE SHEET		1			
D10		INC. 55					
049	631363-9	SOFT START CIRCUIT		1			
050	645200-1	NOISE SUPPRESSOR		1			
051	651147-9	SWITCH 1362.0102		1	*		
051-1	651178-8	SWITCH 1362.0112	O	1			
052	231402-1	COMPRESSION SPRING 7		1			
053	416998-5	LOCK BUTTON		1			
054	687010-0	BAND		1			
055	183117-5	HANDLE SET		1			
C10	421701-1	SPONGE SHEET		1			
D10		INC. 48					
056	911148-2	PAN HEAD SCREW M4X25		4			
057	265995-6	TAPPING SCREW 4X18		2			
058	687053-2	STRAIN RELIEF		1			
059	695123-3	POWER SUPPLY CORD 1.5-2-4.0		1			
060	682560-0	CORD GUARD 10		1			
061	911221-8	PAN HEAD SCREW M5X16		3			
A01	782407-9	LOCK NUT WRENCH 35		1			
F02	192227-7	SUPER FLANGE		1			
025A_	122444-5	INNER FLANGE 47 ASS'Y		1			

Please state Parts No. when your order.

Print Date 11/01/2023