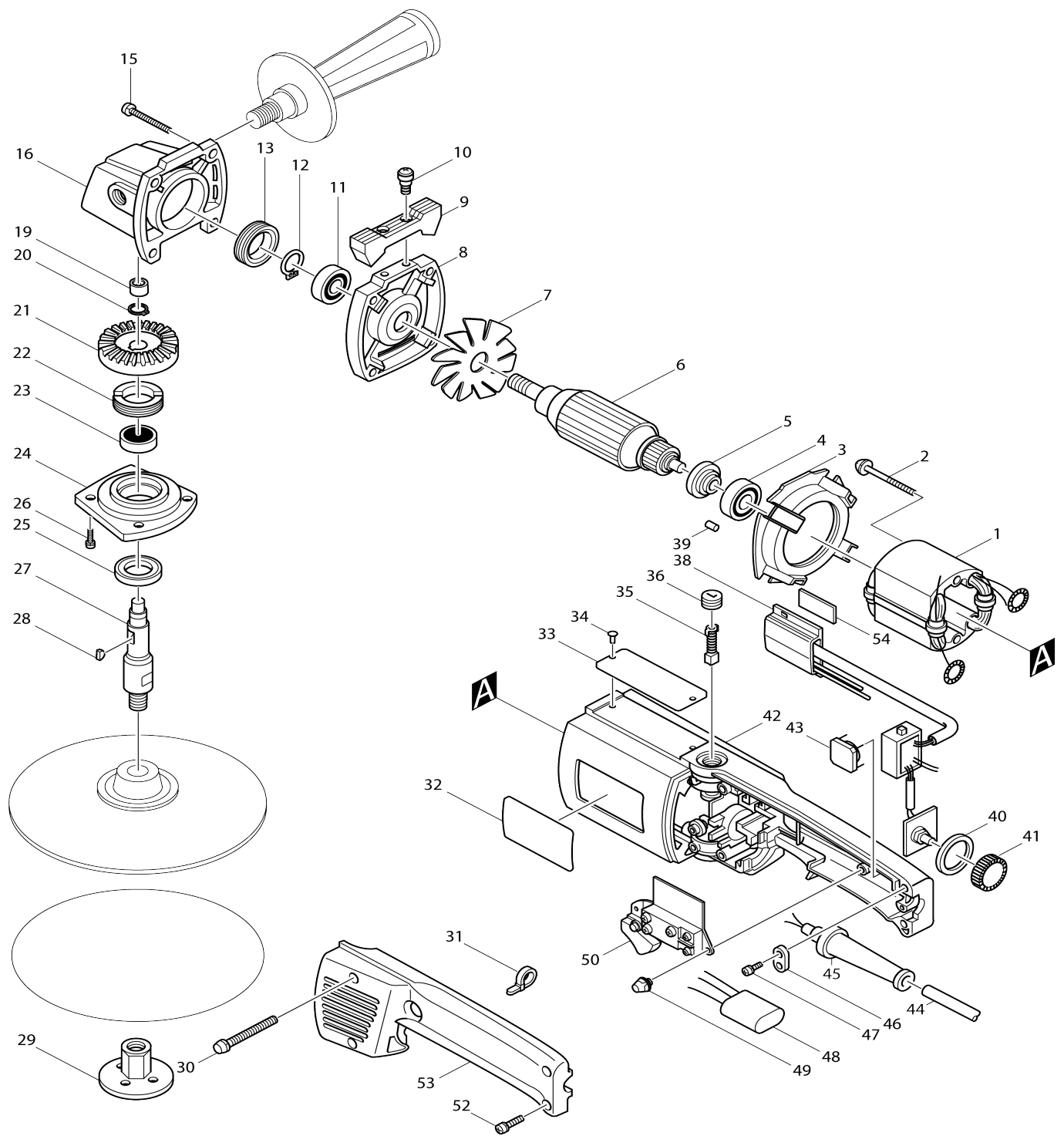


Model No.9207SPC ELECTRONIC SANDER POLISHER



Model No.9207SPC ELECTRONIC SANDER POLISHER

Item No.	Parts No.	Description	Interchangability	Q'ty	New/Old	Note1	Note2
001C_	522598-2	FIELD ASS'Y 220V		1			
C10	654019-7	RING TERMINAL		2			
C20	654501-6	CONNECTOR P-1.25		2			
002-1	911295-9	PAN HEAD SCREW M5X70		2			
003	411263-7	BAFFLE PLATE		1			
004	211033-2	BALL BEARING 608LB		1			
005	681621-3	INSULATION WASHER		1			
006C_	512813-2	ARMATURE ASS'Y 220V		1			
D10		INC. 4-7					
007	241080-9	FAN 68		1			
008	315733-7	GEAR HOUSING COVER		1			
009	421275-2	TOOL REST		1			
010	251306-1	+ PAN HEAD SCREW M5		2			
011	211201-7	BALL BEARING 6002LLB		1			
012	961055-9	RETAINING RING S-15		1			
013	285816-6	BEARING RETAINER 19-33		1			
015	911261-6	PAN HEAD SCREW M5X40		4			
016	312355-4	GEAR HOUSING		1	*		
016-1	133324-0	GEAR HOUSING ASS'Y	S	1			
D10		INC. 19					
019	212005-0	NEEDLE BEARING 810		1			
020	961052-5	RETAINING RING (EXT) S-12		1			
021	221365-9	SPIRAL BEVEL GEAR 44		1			
022	285805-1	BEARING RETAINER 22-34		1			
023	211106-1	BALL BEARING 6201LLB		1			
024	312795-6	BEARING BOX		1			
025	213301-9	DUST SEAL 20		1			
026	911121-2	PAN HEAD SCREW M4X14		4			
027B_	325433-1	SPINDLE		1			
028	254002-0	WOODRUFF KEY 3		1			
029B_	224515-5	SANDING LOCK NUT 14-48		1			
030	911173-3	PAN HEAD SCREW M4X45		2			
031	687010-0	BAND		2			
032	818631-9	LABEL		1			
033-3	855321-3	NAME PLATE 9207SPC		1			
034	953106-2	RIVET 0-5		2			
035B_	181030-1	CARBON BRUSH CB-100		1	*		
035B1	194974-6	CARBON BRUSH SET CB-100	O	1			
036	643600-9	BRUSH HOLDER CAP 6-10		2			
038C1	631069-9	CONTROLLER 200V-		1			
039-1	263014-2	RUBBER PIN 4		1			
040	213261-5	O RING 17		1			
041	271411-8	KNOB 28		1			
042	157268-0	MOTOR HOUSING		1	*		
C10	643603-3	BRUSH HOLDER 6-10		2	*		
C20	913206-0	SET SCREW M5X8		2	*		
C30	816165-6	INDICATION LABEL H-L		1	*		

D10		INC. 39				
042-1	159739-3	MOTOR HOUSING COMPLETE	O	1		
C10	643603-3	BRUSH HOLDER 6-10		2		
C20	913206-0	SET SCREW M5X8		2		
C30	816165-6	INDICATION LABEL H-L		1		
D10		INC. 39				
043A_	646327-0	LINE COIL		1	*	
044E_	665516-8	POWER SUPPLY CORD 1.00-2-2.5		1		
045	682504-0	CORD GUARD 10-85		1		
046	687001-1	STRAIN RELIEF		1		
047-1	911133-5	PAN HEAD SCREW M4X18		2		
048B_	645173-8	NOISE SUPPRESSOR		1	*	
049	911103-4	PAN HEAD SCREW M4X6		2		
050A_	651018-0	SWITCH HPAHR2-3S		1		
052	911153-9	PAN HEAD SCREW M4X28		2		
053	155625-6	HANDLE COVER COMPLETE		1		
C10	816165-6	INDICATION LABEL H-L		1		
054	685727-9	DOUBLE-COATED ADHESIVE SHEET		2		
400A1	152492-0	GRIP 36 COMPLETE		1		
401	781008-0	WRENCH 17		1		
402-1	782412-6	LOCK NUT WRENCH 28		1		
403	794176-0	WOOL BONNET 180		1		
404	743012-7	RUBBER PAD 170		1		
405-1	794094-2	ABRASIVE DISC 180 #50		1	*	
405-2	794094-2	ABRASIVE DISC 180 #50	O	1		

Please state Parts No. when your order.

Print Date 10/09/2023