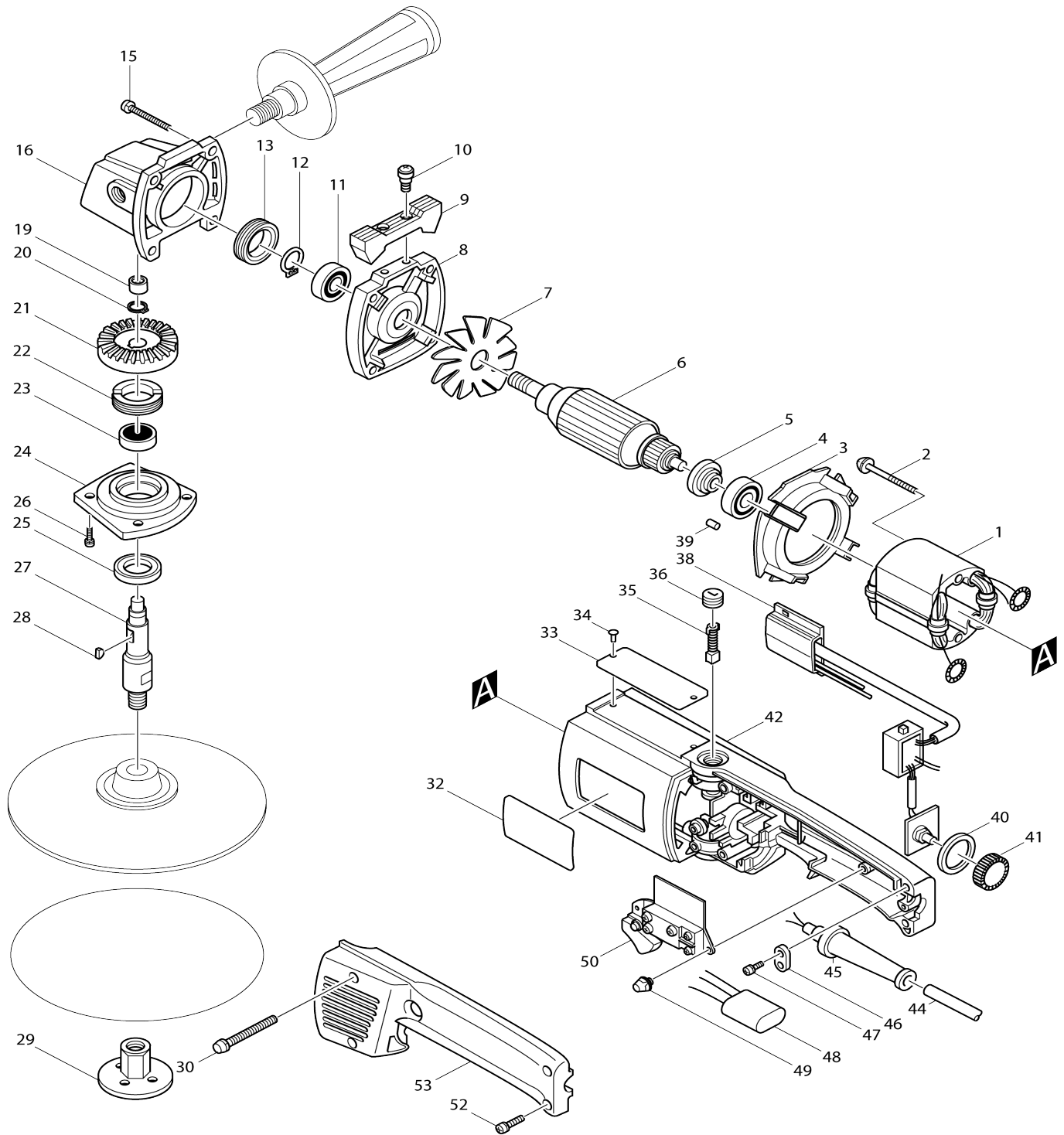


Model No.9217SPC ELECTRONIC SANDER POLISHER



Model No.9217SPC ELECTRONIC SANDER POLISHER

| Item No. | Parts No. | Description | Interchangability | Q'ty | New/Old | Note1 | Note2 |
|----------|-----------|---------------------------|-------------------|------|---------|-------|-------|
| 001C_ | 594218-8 | FIELD ASS'Y 220V | | 1 | | | |
| C10 | 654019-7 | RING TERMINAL | | 1 | | | |
| C20 | 654501-6 | CONNECTOR P-1.25 | | 1 | | | |
| 002 | 911691-1 | PAN HEAD SCREW M5X70 | | 2 | | | |
| 003 | 411263-7 | BAFFLE PLATE | | 1 | | | |
| 004 | 211033-2 | BALL BEARING 608LB | | 1 | | | |
| 005 | 681621-3 | INSULATION WASHER | | 1 | | | |
| 006C_ | 516208-1 | ARMATURE ASS'Y 220V | | 1 | | | |
| D10 | | INC. 4,5,7 | | | | | |
| 007 | 241080-9 | FAN 68 | | 1 | | | |
| 008 | 315733-7 | GEAR HOUSING COVER | | 1 | | | |
| 009 | 421275-2 | TOOL REST | | 1 | | | |
| 010 | 251306-1 | + PAN HEAD SCREW M5 | | 2 | | | |
| 011 | 211201-7 | BALL BEARING 6002LLB | | 1 | | | |
| 012 | 961055-9 | RETAINING RING S-15 | | 1 | | | |
| 013 | 285816-6 | BEARING RETAINER 19-33 | | 1 | | | |
| 015 | 911261-6 | PAN HEAD SCREW M5X40 | | 4 | | | |
| 016 | 312355-4 | GEAR HOUSING | | 1 | * | | |
| 016-1 | 133324-0 | GEAR HOUSING ASS'Y | S | 1 | | | |
| D10 | | INC. 19 | | | | | |
| 019 | 212005-0 | NEEDLE BEARING 810 | | 1 | | | |
| 020 | 961052-5 | RETAINING RING (EXT) S-12 | | 1 | | | |
| 021 | 221365-9 | SPIRAL BEVEL GEAR 44 | | 1 | | | |
| 022 | 285805-1 | BEARING RETAINER 22-34 | | 1 | | | |
| 023 | 211106-1 | BALL BEARING 6201LLB | | 1 | | | |
| 024 | 312795-6 | BEARING BOX | | 1 | | | |
| 025 | 213301-9 | DUST SEAL 20 | | 1 | | | |
| 026 | 911121-2 | PAN HEAD SCREW M4X14 | | 4 | | | |
| 027B_ | 325433-1 | SPINDLE | | 1 | | | |
| 028 | 254002-0 | WOODRUFF KEY 3 | | 1 | | | |
| 029A_ | 224515-5 | SANDING LOCK NUT 14-48 | | 1 | | | |
| 030 | 911173-3 | PAN HEAD SCREW M4X45 | | 2 | | | |
| 032 | 818631-9 | LABEL | | 1 | | | |
| 033 | 857588-9 | NAME PLATE 9217SPC | | 1 | | | |
| 034 | 953106-2 | RIVET 0-5 | | 2 | | | |
| 035A_ | 181030-1 | CARBON BRUSH CB-100 | | 1 | * | | |
| 035A1 | 194974-6 | CARBON BRUSH SET CB-100 | O | 1 | | | |
| 036 | 643600-9 | BRUSH HOLDER CAP 6-10 | | 2 | | | |
| 038A_ | 631180-7 | CONTROLLER 200V-240V | | 1 | | | |
| 039 | 263014-2 | RUBBER PIN 4 | | 1 | | | |
| 040 | 213261-5 | O RING 17 | | 1 | | | |
| 041 | 271411-8 | KNOB 28 | | 1 | | | |
| 042 | 159739-3 | MOTOR HOUSING COMPLETE | | 1 | | | |
| C10 | 643603-3 | BRUSH HOLDER 6-10 | | 2 | | | |
| C20 | 913206-0 | SET SCREW M5X8 | | 2 | | | |
| C30 | 816165-6 | INDICATION LABEL H-L | | 1 | | | |
| D10 | | INC. 39 | | | | | |

| | | | | | | |
|-------|----------|-----------------------------|---|---|---|--|
| 044M | 665865-3 | POWER SUPPLY CORD 1.0-2-2.5 | | 1 | | |
| 045B_ | 682516-3 | CORD GUARD 9.3-85 | | 1 | * | |
| 045B1 | 682504-0 | CORD GUARD 10-85 | O | 1 | | |
| 046C_ | 687031-2 | STRAIN RELIEF | | 1 | | |
| 047 | 911133-5 | PAN HEAD SCREW M4X18 | | 2 | | |
| 048B_ | 645253-0 | NOISE SUPPRESSOR | | 1 | | |
| 049 | 911103-4 | PAN HEAD SCREW M4X6 | | 2 | | |
| 050A_ | 651018-0 | SWITCH HPAHR2-3S | | 1 | | |
| 052 | 911153-9 | PAN HEAD SCREW M4X28 | | 2 | | |
| 053 | 155625-6 | HANDLE COVER COMPLETE | | 1 | | |
| C10 | 816165-6 | INDICATION LABEL H-L | | 1 | | |
| A01A_ | 273477-4 | GRIP 37 | | 1 | | |
| A02 | 781008-0 | WRENCH 17 | | 1 | | |
| A03 | 782412-6 | LOCK NUT WRENCH 28 | | 1 | | |
| A04 | 794176-0 | WOOL BONNET 180 | | 1 | | |
| A05 | 743012-7 | RUBBER PAD 170 | | 1 | | |
| A06 | 794094-2 | ABRASIVE DISC 180 #50 | | 1 | * | |
| A06-1 | 794094-2 | ABRASIVE DISC 180 #50 | O | 1 | | |
| E01 | 652252-5 | CLAMP WASHER | | 4 | | |

Please state Parts No. when your order.

Print Date 10/09/2023