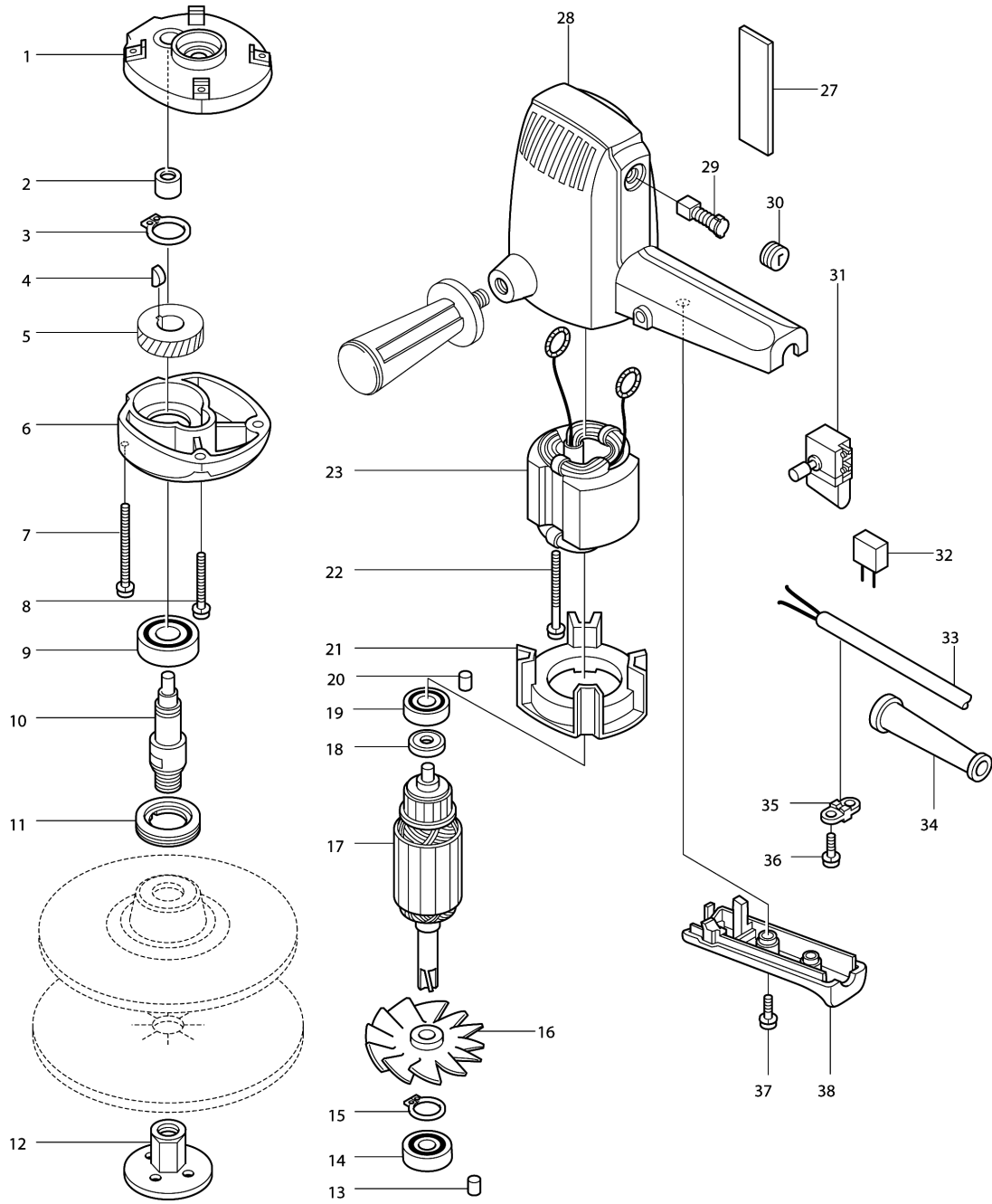


Model No.9218SB DISC SANDER 180MM



Model No.9218SB DISC SANDER 180MM

Item	Parts No.	Description	I/C	Qty	New/Old	Opt. 1	Opt. 2	Note
001	156993-0	GEAR HOUSING COVER COMPLETE		1	*			
D10		INC. 13			*			
001-1	141U71-5	GEAR HOUSING COVER COMPLETE	O	1				
D10		INC. 13						
002	212004-2	NEEDLE BEARING 810		1				
003	961055-9	RETAINING RING S-15		1				
004	254001-2	WOODRUFF KEY 4		1				
005	221273-4	HELICAL GEAR 52		1				
006	312368-5	GEAR HOUSING		1	*			
006-1	312E92-0	GEAR HOUSING	O	1				
007	911171-7	PAN HEAD SCREW M4X45		2				
008	911161-0	PAN HEAD SCREW M4X35		2				
009	211206-7	BALL BEARING 6202LLB		1				
010A_	325425-0	SPINDLE		1				
011	285809-3	BEARING RETAINER 23-36		1				
012A_	224515-5	SANDING LOCK NUT 14-48		1				
013	263002-9	RUBBER PIN 4		1				
014	211101-1	BALL BEARING 6001LLB		1				
015	961052-5	RETAINING RING (EXT) S-12		1				
016	241044-3	FAN 68		1				
017C_	512405-7	ARMATURE ASS'Y 220V		1				
D10		INC. 14-16,18,19						
018	213002-9	DUST SEAL 8		1				
019	211033-2	BALL BEARING 608LB		1				
020	263002-9	RUBBER PIN 4		1				
021	411241-7	BAFFLE PLATE		1				
022-2	911681-4	PAN HEAD SCREW M5X60		2				
023H_	528701-3	FIELD ASS'Y 220V		1				
C10	654019-7	RING TERMINAL		2				
C20	654501-6	CONNECTOR P-1.25		2				
027	811828-9	NAME PLATE 9218SB		1	*			
027-1	8587R9-2	9218SB NAME PLATE	<	1				
028	156105-5	MOTOR HOUSING		1	*			
C10	643603-3	BRUSH HOLDER 6-10		2	*			
C21	913206-0	SET SCREW M5X8		2	*			
D10		INC. 20			*			
028-1	159596-9	MOTOR HOUSING	S	1				
C11	643609-1	BRUSH HOLDER 6-10		2				
D10		INC. 20						
029B_	181030-1	CARBON BRUSH CB-100		1				
030	643600-9	BRUSH HOLDER CAP 6-10		2				
031D1	651232-8	SWITCH SGEL206C		1	*			
031D2	651232-8	SWITCH SGEL206C	O	1				
032A_	645209-3	NOISE SUPPRESSOR		1				

Please order the parts with part number.

Print Date 25/10/2023

Model No.9218SB DISC SANDER 180MM

Item	Parts No.	Description	I/C	Qty	New/Old	Opt. 1	Opt. 2	Note
033X_	665394-6	POWER SUPPLY CORD 1.0-2-2.5		1				
034A_	682502-4	CORD GUARD 8-85		1				
035D_	687031-2	STRAIN RELIEF		1				
036-1	911133-5	PAN HEAD SCREW M4X18		2				
037-2	911138-5	P.H.SCREW M4X20 WITH WR		2				
038	411239-4	HANDLE COVER		1	*			
038-1	414994-7	HANDLE COVER	S	1				
039	819063-3	MAKITA LABEL		1				
400	743008-8	RUBBER PAD 170		1				
401-1	794094-2	ABRASIVE DISC 180 #50		1	*			
401-2	794094-2	ABRASIVE DISC 180 #50	O	1	*			
402-1	152492-0	GRIP 36 COMPLETE		1				
403	781008-0	WRENCH 17		1				
404-1	782413-4	LOCK NUT WRENCH 28		1	*			
404-2	782412-6	LOCK NUT WRENCH 28	O	1				

Please order the parts with part number.

Print Date 25/10/2023