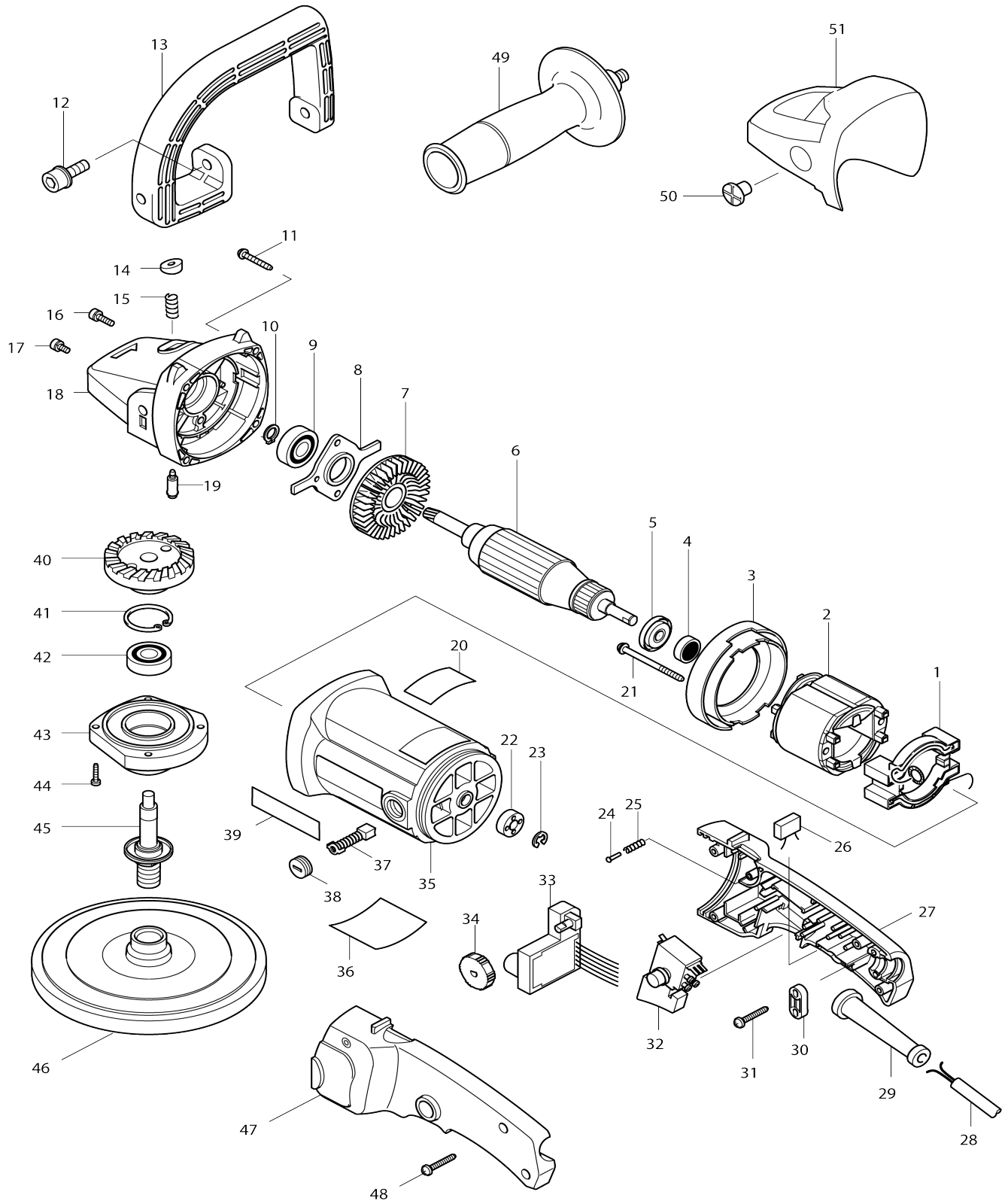


# Model No.9227CB SANDER POLISHER 180MM



Model No.9227CB SANDER POLISHER 180MM

Item No.	Parts No.	Description	Interchangability	Q'ty	New/Old	Note1	Note2
001	632679-5	SUPPORT COMPLETE		1	*		
001-1	539168-0	SUPPORT ASS'Y	<	1			
C10	632679-5	SUPPORT COMPLETE		1			
C20	654020-2	RING TERMINAL		1			
C30	654501-6	CONNECTOR P-1.25		1			
002	634293-3	FIELD 220/240V		1			
003	416253-5	BAFFLE PLATE		1			
004	211031-6	BALL BEARING 608LLB		1			
005	681644-1	INSULATION WASHER		1			
006	516308-7	ARMATURE ASS'Y 220/240V		1			
D10		INC. 4,5,7					
007	240002-6	FAN 70		1			
008	285687-1	BEARING RETAINER 48		1			
009	211106-1	BALL BEARING 6201LLB		1	*		
009-1	211144-3	BALL BEARING 6201LLB	O	1	*		
009-2	211106-1	BALL BEARING 6201LLB	O	1			
010	961052-5	RETAINING RING (EXT) S-12		1			
011	266012-5	TAPPING SCREW 5X35		4			
012	266171-5	HEX. SOCKET HEAD BOLT M8X25		2			
013	416348-4	LOOP HANDLE		1			
014	415491-6	PIN CAP		1			
015	233072-2	COMPRESSION SPRING 8		1			
016-1	911221-8	PAN HEAD SCREW M5X16		1			
017-1	911211-1	PAN HEAD SCREW M5X12		1			
018	159951-5	GEAR HOUSING COMPLETE		1			
019	256446-0	PIN 6		1	*		
019-1	256504-2	SHOULDER PIN 9	S	1			
020	816330-7	INDICATION LABEL		1			
021	266038-7	TAPPING SCREW 5X70		2			
022	688110-9	MAGNET SLEEVE		1			
023	961012-7	STOP RING E-6		1			
024	255058-6	RIVET 2		1			
025	233002-3	COMPRESSION SPRING 3		1			
026	645200-1	NOISE SUPPRESSOR		1			
027	182917-0	HANDLE SET		1			
D10		INC. 47					
028A1	665890-4	POWER SUPPLY CORD 1.0-2-4.0		1			
029A_	682516-3	CORD GUARD 9.3-85		1	*		
029A1	682540-6	CORD GUARD 9.3-90	<	1	*		
029A2	682505-8	CORD GUARD 10-90	O	1			
030C_	687063-9	CORD CLAMP		1	*		
030C1	687052-4	STRAIN RELIEF	X	1			
031	265995-6	TAPPING SCREW 4X18		2			
032	651282-3	SWITCH		1			
033	631227-7	CONTROLLER 200-250V		1	*		
033-1	631227-7	CONTROLLER 200-250V	<	1			
034	271417-6	DIAL 28		1			

035	182918-8	MOTOR HOUSING SET		1		
C10	643708-9	BRUSH HOLDER 5-11		2		
D10		INC. 20,39				
036	858696-9	NAME PLATE 9227CB		1		
037	191963-2	CARBON BRUSH CB-303		1	*	
037-1	194996-6	CARBON BRUSH SET CB-303	O	1		
038	643750-0	BRUSH HOLDER CAP 7-11		2		
039	819001-5	MAKITA LABEL		2		
040	226744-6	SPIRAL BEVEL GEAR 52		1	*	
040-1	227512-0	SPIRAL BEVEL GEAR 52	S	1		
041	962151-6	RETAINING RING R-32		1		
042	211106-1	BALL BEARING 6201LLB		1	*	
042-1	211144-3	BALL BEARING 6201LLB	O	1	*	
042-2	211106-1	BALL BEARING 6201LLB	O	1		
043	316896-2	BEARING BOX		1		
044	266034-5	TAPPING SCREW CT 4X16		4		
045	152551-0	SPINDLE COMPLETE		1		
C10	344347-5	LABYRINTH RING		1		
046	743053-3	PAD 165		1		
047	182917-0	HANDLE SET		1		
D10		INC. 27				
048	265995-6	TAPPING SCREW 4X18		4		
A01	783204-6	HEX. WRENCH 6		1		
A02	262542-4	SLEEVE 18		1		
A03	192629-7	WOOL PAD 180		1		
E01	646077-7	CHOKE COIL		1		

Please state Parts No. when your order.

Print Date 10/09/2023