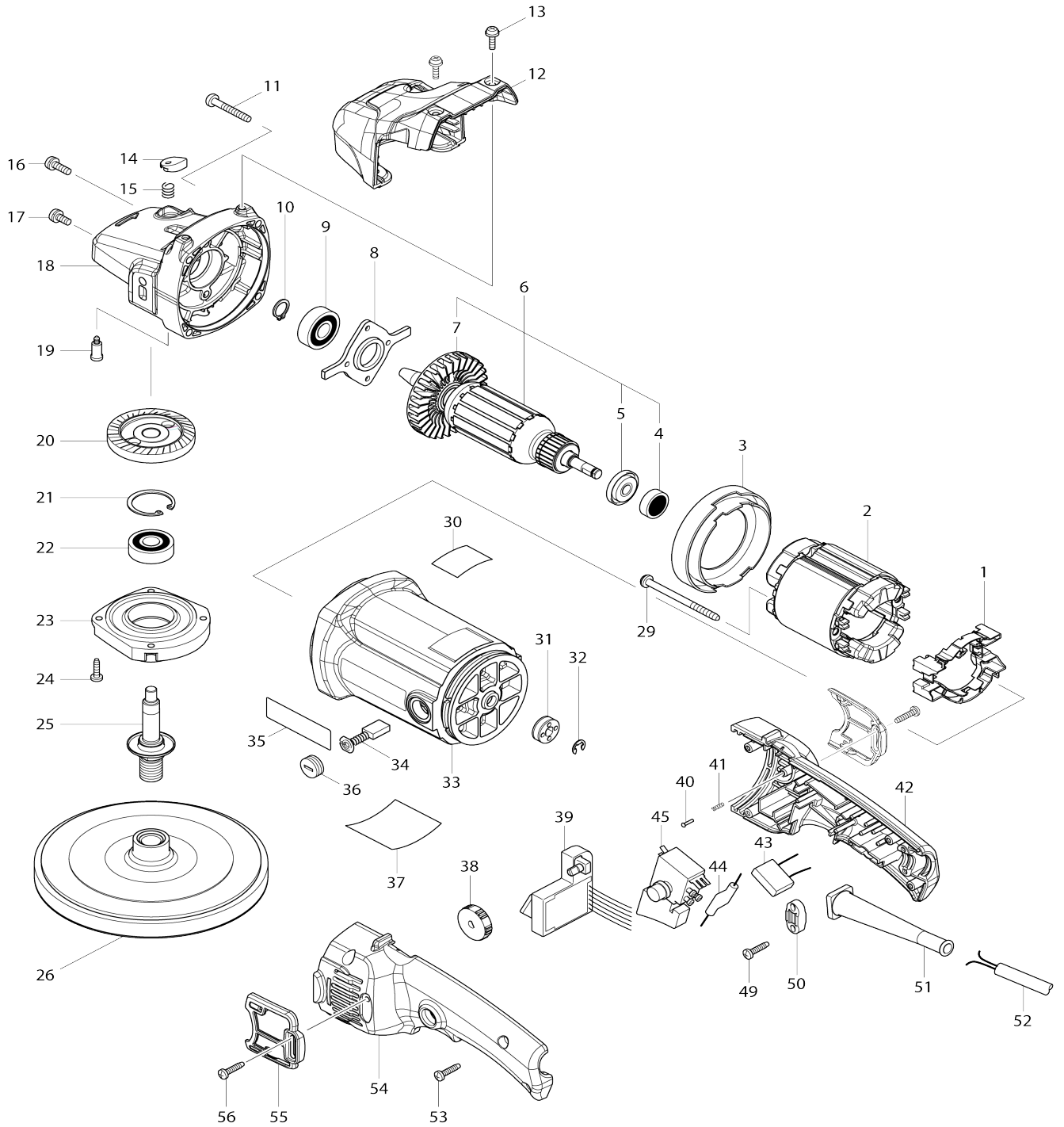


Model No.9237CB 180MM POLISER



Model No.9237CB 180MM POLISHER

Item No.	Parts No.	Description	Interchangability	Q'ty	New/Old	Note1	Note2
001	539168-0	SUPPORT ASS'Y		1			
C10	654020-2	RING TERMINAL		1			
C20	654501-6	CONNECTOR P-1.25		1			
002	634293-3	FIELD 220/240V		1			
003	416253-5	BAFFLE PLATE		1			
004	211031-6	BALL BEARING 608LLB		1			
005	681644-1	INSULATION WASHER		1			
006	516308-7	ARMATURE ASS'Y 220/240V		1			
D10		INC. 4,5,7					
007	240002-6	FAN 70		1			
008	285687-1	BEARING RETAINER 48		1			
009	211106-1	BALL BEARING 6201LLB		1			
010	961052-5	RETAINING RING (EXT) S-12		1			
011	266012-5	TAPPING SCREW 5X35		4			
012	455291-2	HEAD COVER		1			
013	911118-1	PAN HEAD SCREW M4X12		2			
014	415491-6	PIN CAP		1			
015	233072-2	COMPRESSION SPRING 8		1			
016	911221-8	PAN HEAD SCREW M5X16		1			
017	911211-1	PAN HEAD SCREW M5X12		1			
018	142747-1	GEAR HOUSING COMPLETE		1			
019	256504-2	SHOULDER PIN 9		1			
020	227512-0	SPIRAL BEVEL GEAR 52		1			
021	962151-6	RETAINING RING R-32		1			
022	211106-1	BALL BEARING 6201LLB		1			
023	316896-2	BEARING BOX		1			
024	266034-5	TAPPING SCREW CT 4X16		4			
025	152551-0	SPINDLE COMPLETE		1			
C10	344347-5	LABYRINTH RING		1			
026	743053-3	PAD 165		1			
029	266038-7	TAPPING SCREW 5X70		2			
030	804M47-2	INDICATION LABEL		1			
031	688110-9	MAGNET SLEEVE		1			
032	961012-7	STOP RING E-6		1			
033	187958-1	MOTOR HOUSING SET		1			
C10	643708-9	BRUSH HOLDER 5-11		2			
D10		INC. 35					
034	191963-2	CARBON BRUSH CB-303		1	*		
034-1	194996-6	CARBON BRUSH SET CB-303	O	1			
035	819285-5	MAKITA LOGO LABEL		2			
036	643750-0	BRUSH HOLDER CAP 7-11		2	*		
036-1	643515-0	HOLDER CAP 7-11	O	2			
037	815Y34-8	9237CB NAME PLATE		1			
038	271417-6	DIAL 28		1			
039	631227-7	CONTROLLER 200-250V		1			
040	255058-6	RIVET 2		1			
041	233002-3	COMPRESSION SPRING 3		1			

042	187917-5	HANDLE SET		1		
D10		INC. 54				
043	645200-1	NOISE SUPPRESSOR		1		
044	646077-7	CHOKE COIL		1		
045	651282-3	SWITCH		1		
049	265995-6	TAPPING SCREW 4X18		2		
050	687052-4	STRAIN RELIEF		1		
051	682573-1	CORD GUARD 10		1		
052	665890-4	POWER SUPPLY CORD 1.0-2-4.0		1		
053	265995-6	TAPPING SCREW 4X18		4		
054	187917-5	HANDLE SET		1		
D10		INC. 42				
055	455288-1	DUST COVER		2		
056	265995-6	TAPPING SCREW 4X18		2		
A01	266171-5	HEX. SOCKET HEAD BOLT M8X25		2		
A02	783204-6	HEX. WRENCH 6		1		
A03	262542-4	SLEEVE 18		1		
A04	455293-8	LOOP HANDLE		1		
A05	192629-7	WOOL PAD 180		1		
F12	191D53-5	WOOL PAD 180 SET		1		

Please state Parts No. when your order.

Print Date 01/29/2024