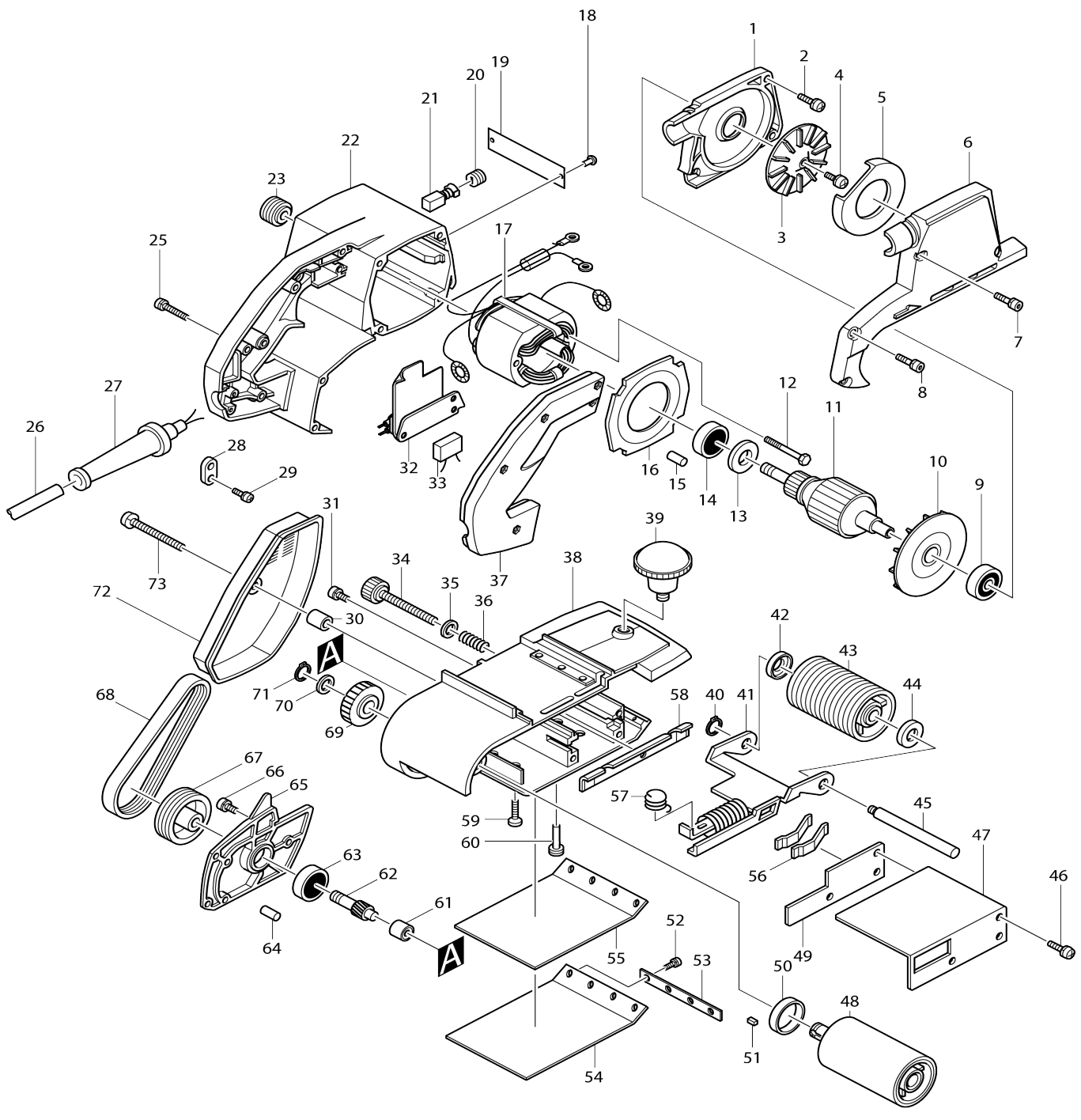


# Model No.9401 BELT SANDER 100MM



Model No.9401 BELT SANDER 100MM

Item No.	Parts No.	Description	Interchangability	Q'ty	New/Old	Note1	Note2
001-1	151177-5	DUST COLLECTOR BRACKET		1			
C10	263002-9	RUBBER PIN 4		1			
002	911226-8	PAN HEAD SCREW M5X18		4			
003	241611-4	FAN 74		1			
004	911211-1	PAN HEAD SCREW M5X12		1			
005	343166-6	SEPARATOR		1			
006-1	315772-7	DUST COLLECTOR COVER		1			
007	911241-2	PAN HEAD SCREW M5X25		2			
008-1	911241-2	PAN HEAD SCREW M5X25		2			
009-1	211087-9	BALL BEARING 6200DDW		1			
010	241806-9	FAN 90		1			
011C_	514205-1	ARMATURE ASS'Y 220V		1			
D10		INC. 9,10,13,14					
012-1	911270-5	PAN HEAD SCREW M5X45		2			
013-2	681624-7	INSULATION WASHER		1	*		
013-3	681635-2	INSULATION WASHER	O	1			
014	211066-7	BALL BEARING 6200LLB		1			
015	263002-9	RUBBER PIN 4		1	*		
016	411143-7	BAFFLE PLATE		1			
017C_	524205-3	FIELD ASS'Y 220V		1			
C10	654020-2	RING TERMINAL		2			
C20	654502-4	CONNECTOR P-2		2			
018	953106-2	RIVET 0-5		2	*		
019	811732-2	NAME PLATE 9401		1	*		
019-1	850166-4	NAME PLATE 9401	S	1			
020	643650-4	BRUSH HOLDER CAP 6.5-13.5		2	*		
020-1	643650-4	BRUSH HOLDER CAP 6.5-13.5	O	2			
021-1	181044-0	CARBON BRUSH CB-153		1			
022-1	156225-5	MOTOR HOUSING		1	*		
C10	643660-1	BRUSH HOLDER 6.5-13.5		2	*		
D10		INC. 15					
022-2	156225-5	MOTOR HOUSING	S	1			
C10	643660-1	BRUSH HOLDER 6.5-13.5		2			
023-1	222012-5	V-PULLEY 6-24L		1			
025	911158-9	PAN HEAD SCREW M4X30		5			
02601	665883-1	POWER SUPPLY CORD 1.0-2-5.0		1			
027B_	682516-3	CORD GUARD 9.3-85		1	*		
027B1	682504-0	CORD GUARD 10-85	O	1			
028C_	687031-2	STRAIN RELIEF		1			
029-1	911133-5	PAN HEAD SCREW M4X18		2			
030	257504-5	SLEEVE 6		1			
031	911221-8	PAN HEAD SCREW M5X16		1			
032	651018-0	SWITCH HPAHR2-3S		1			
033G_	645105-5	NOISE SUPPRESSOR		1			
034	251821-5	SCREW M8X72		1			
035	941202-8	FLAT WASHER 8		1			
036	231110-4	COMPRESSION SPRING 9		1			

037-1	411142-9	HANDLE COVER		1		
038	156226-3	FRAME		1		
C10	214101-0	PLANE BEARING 12		2		
C20	421044-1	SPONGE SHEET 42-47		1		
039	271207-7	KNOB 55		1		
040	961052-5	RETAINING RING (EXT) S-12		1		
041	163039-5	TENSION ROLLER ARM		1		
042	253922-5	CUP WASHER 12		1		
043	152103-7	TENSION ROLLER COMPLETE		1		
C10	214101-0	PLANE BEARING 12		2		
C20	421045-9	SPONGE SHEET3-50-57		1		
044	253922-5	CUP WASHER 12		1		
045	325108-2	TENSION ROLLER SHAFT		1		
046	911226-8	PAN HEAD SCREW M5X18		3		
047	342331-4	BASE COVER		1		
048A_	151346-8	DRIVING ROLLER COMPLETE		1		
049	341195-3	BALANCE PLATE		1		
050	253922-5	CUP WASHER 12		1		
051	254202-2	KEY 4		1		
052	911111-5	PAN HEAD SCREW M4X10 WITH W		4		
053	341079-5	STRAP WASHER		1		
054	423029-3	CARBON PLATE 100MM		1		
055	421093-8	CORK RUBBER PLATE		1		
056	232029-0	LEAF SPRING		2		
057	231520-5	TORSION SPRING 18		1		
058-1	155885-0	EDGE SLIDER		1		
059	912227-9	COUNTERSUNK HEAD SCREW M5 X18		6		
060	325109-0	SUPPORT PIN		1		
061	212003-4	NEEDLE BEARING 810		1		
062	221193-2	HELICAL GEAR 10		1		
063	211066-7	BALL BEARING 6200LLB		1		
064	263002-9	RUBBER PIN 4		1	*	
065	152204-1	GEAR COVER COMPLETE		1	*	
D10		INC. 64				
065-1	312549-1	GEAR COVER	O	1		
066-1	911221-8	PAN HEAD SCREW M5X16		5		
067	222038-7	V-PULLEY 6-55.7		1		
068	225021-3	POLY V-BELT 6-355		1	*	
068-1	225091-2	POLY V-BELT 6-355	O	1	*	
068-2	225021-3	POLY V-BELT 6-355	<	1		
069	221194-0	HELICAL GEAR 42		1		
070	253312-2	THIN WASHER 12		2	*	
070-1	253312-2	THIN WASHER 12	O	4		
071	961052-5	RETAINING RING (EXT) S-12		1		
072	343165-8	BELT COVER		1		
073	911261-6	PAN HEAD SCREW M5X40		1		
400-1	794135-4	ABRASIVE BELT 100X610 WA80		1		
401	342332-2	STEP		1		
402	423029-3	CARBON PLATE 100MM		1		
403-2	122297-2	DUST BAG ASS'Y		1		

C10	410602-8	FASTENER		1			
F17-1	192613-2	ELBOW JOINT 32	X	1			

Please state Parts No. when your order.

Print Date 10/09/2023