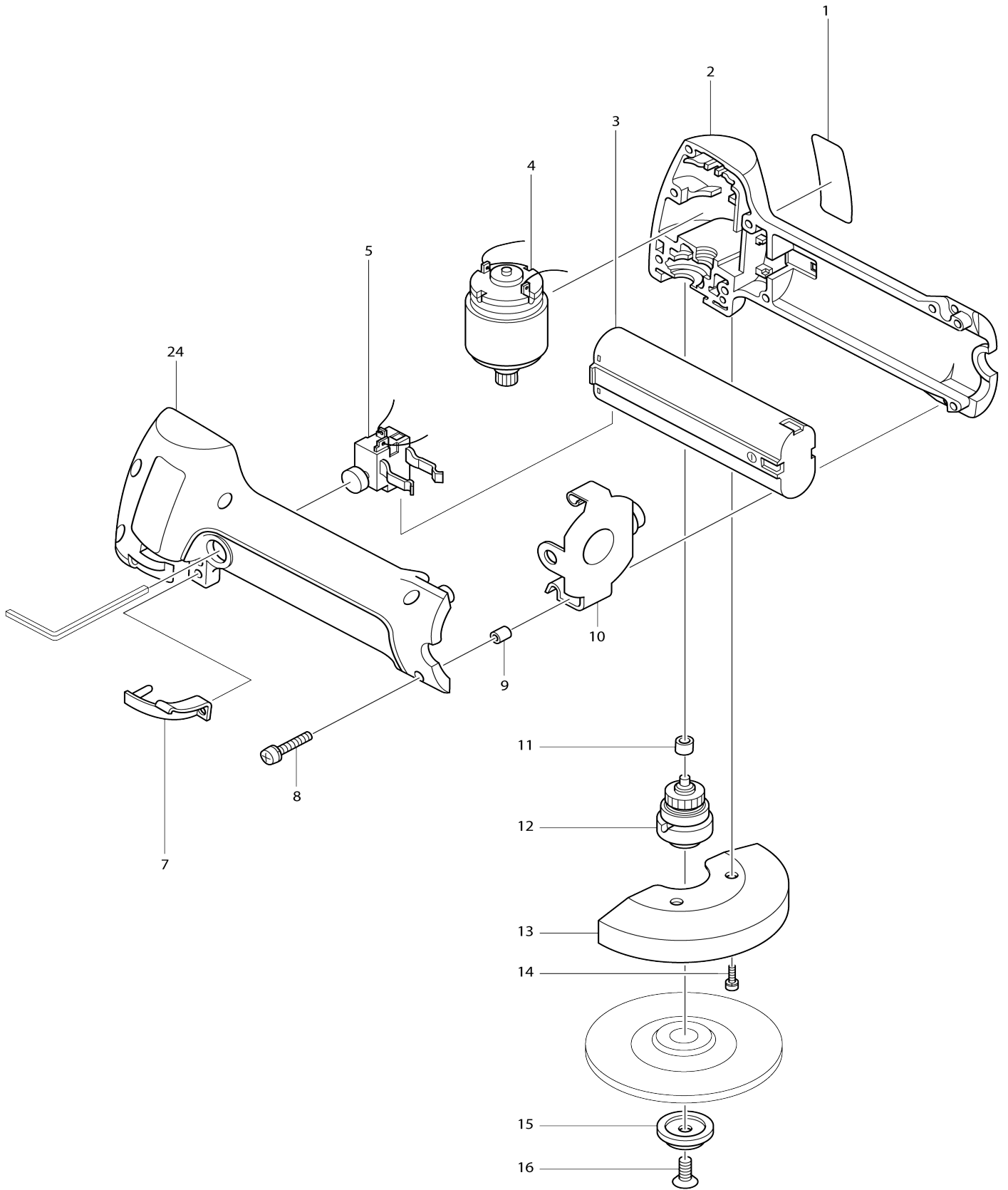


Model No.9500D CORDLESS GRINDER 100MM



Model No.9500D CORDLESS GRINDER 100MM

| Item No. | Parts No. | Description | Interchangability | Q'ty | New/Old | Note1 | Note2 |
|----------|-----------|---------------------------------------|-------------------|------|---------|-------|-------|
| 001 | 815582-7 | Name plate 9500D | | 1 | | | |
| 002-1 | 181335-9 | Housing set (blue) | | 1 | * | | |
| D10 | | INC. 24 | | | | | |
| 002-2 | 181335-9 | Housing set (blue) | < | 1 | | | |
| D10 | | INC. 24 | | | | | |
| 004 | 629519-6 | DC motor | | 1 | * | | |
| C10 | 221869-1 | Spur gear 13 | | 1 | * | | |
| 004-1 | 629803-9 | DC motor | S | 1 | | | |
| C10 | 221869-1 | Spur gear 13 | | 1 | | | |
| 005 | 651218-2 | Switch | | 1 | * | | |
| 005-1 | 651218-2 | Switch | O | 1 | | | |
| 007 | 163140-6 | Leaf spring | | 1 | | | |
| 008-1 | 911143-2 | PAN HEAD SCREW M4X22 | | 6 | | | |
| 009 | 257553-2 | Sleeve 5 | | 1 | | | |
| 010 | 163157-9 | SET PLATE | | 1 | * | | |
| 010-1 | 342833-0 | SET PLATE | O | 1 | | | |
| 011 | 211044-7 | BALL BEARING 694 | | 1 | | | |
| 012 | 153136-5 | Gear complete | | 1 | | | |
| C10 | 211061-7 | BALL BEARING 6000LLB | | 1 | | | |
| C20 | 321303-2 | Spindle | | 1 | | | |
| 013 | 341639-3 | Wheel cover | | 1 | | | |
| 014 | 911221-8 | PAN HEAD SCREW M5X16 | | 2 | | | |
| 015 | 224176-1 | Outer flange 30 | | 1 | | | |
| C10 | 817049-1 | Caution label | | 1 | | | |
| 016 | 251981-3 | HEX. SOCKET HEAD BOLT M6X16 | | 1 | | | |
| 024-1 | 181335-9 | Housing set (blue) | | 1 | * | | |
| D10 | | INC. 2 | | | | | |
| 024-2 | 181335-9 | Housing set (blue) | < | 1 | | | |
| D10 | | INC. 2 | | | | | |
| 400 | 783202-0 | HEX. WRENCH 4 | | 1 | | | |
| 401 | 794229-5 | Depressed center wheel 100-60 (5 pcs) | | 1 | * | | |
| 003-1 | 191679-9 | BATTERY 7000 SET | | 1 | * | | |
| 003-2 | 193888-6 | Battery set 7034 | < | 1 | | | |
| 402 | 414938-7 | BATTERY COVER | | 1 | | | |
| 500A_ | ***DC9700 | DC9700 FAST CHARGER | | 1 | * | | |
| 500A1 | ***DC9710 | DC9710 BATTERY CHARGER | O | 1 | * | | |
| 500A2 | ***DC1414 | DC1414 BATTERY CHARGER | < | 1 | | | |

Please state Parts No. when your order.

Print Date 10/09/2023