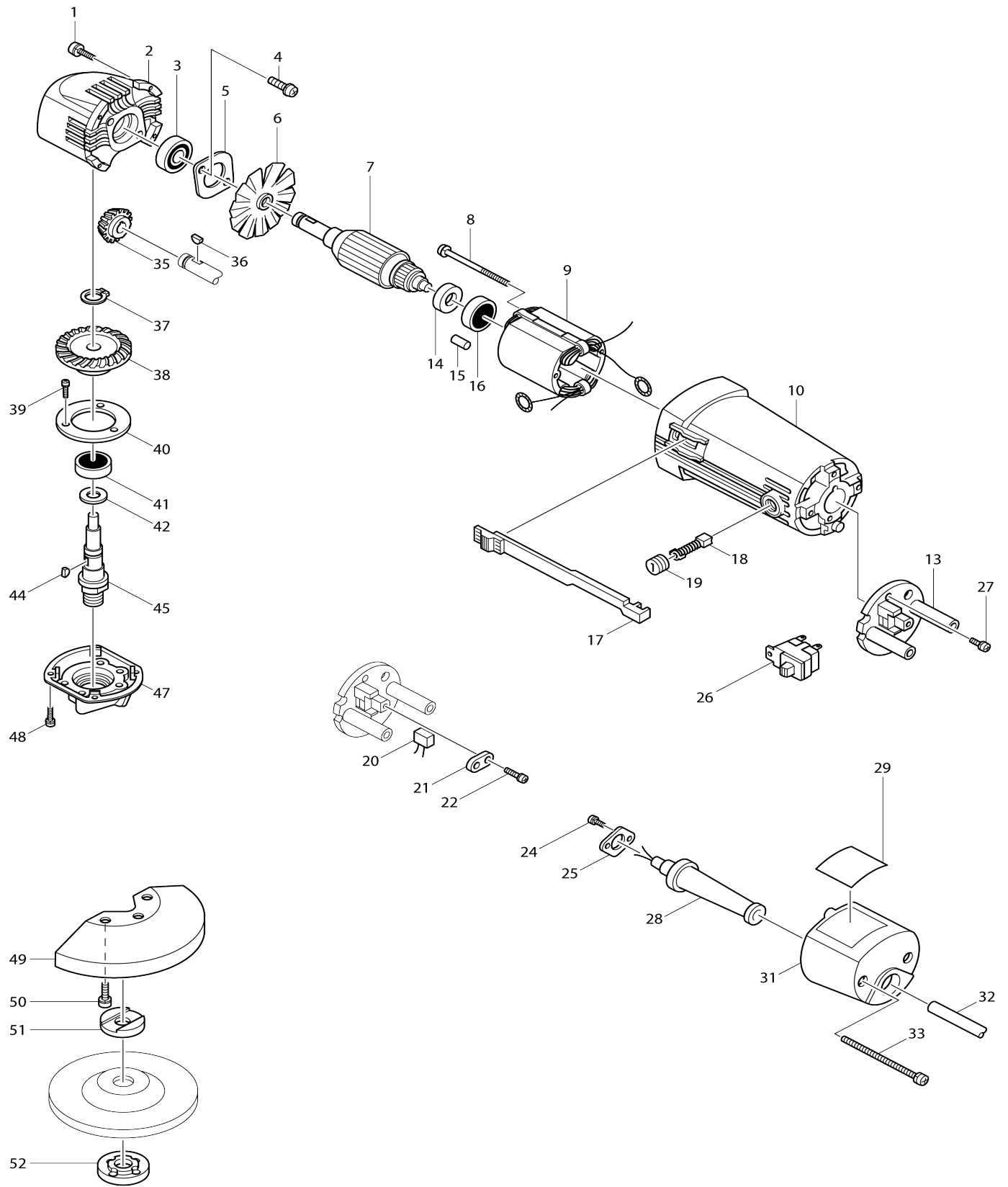


Model No.9501B 100MM DISC GRINDER



Model No.9501B 100MM DISC GRINDER

Item No.	Parts No.	Description	Interchangability	Q'ty	New/Old	Note1	Note2
001	911136-9	PAN HEAD SCREW M4X20		4			
002	156050-4	GEAR HOUSING		1			
C10	214006-4	PLANE BEARING 6		1			
003-2	211088-7	BALL BEARING 6000DDW		1			
004	911216-1	PAN HEAD SCREW M5X14		2			
005	285604-1	BEARING RETAINER 35		1			
006-1	241509-5	FAN 60		1			
007C3	511903-8	ARMATURE ASS'Y 220V		1			
D10		INC. 6,14,16					
008-3	911596-5	PAN HEAD SCREW M4X70		2			
009C1	593133-3	FIELD ASS'Y 220V		1			
C10	654100-4	RING TERMINAL		1			
C20	654501-6	CONNECTOR P-1.25		1			
010A_	159175-3	MOTOR HOUSING		1			
C10	643557-4	BRUSH HOLDER 5-8		2			
D10		INC. 15					
013-1	414551-1	SWITCH HOLDER		1			
014	681614-0	INSULATION WASHER		1			
015	263002-9	RUBBER PIN 4		1			
016-1	211026-9	BALL BEARING 627LLB		1	*		
016-2	210025-8	BALL BEARING 627LLB	O	1			
017-2	414659-1	SWITCH LEVER		1			
018B_	191628-6	CARBON BRUSH CB-65		1	*		
018B1	194969-9	CARBON BRUSH SET CB-65	O	1			
019	643550-8	BRUSH HOLDER CAP 5-8		2			
020E_	645173-8	NOISE SUPPRESSOR		1			
021A_	687002-9	STRAIN RELIEF		1			
022-1	911123-8	PAN HEAD SCREW M4X14		2			
023	911006-2	PAN HEAD SCREW M3X8		1			
024-1	911111-5	PAN HEAD SCREW M4X10 WITH W		2			
025	687637-6	SET PLATE		1			
026A_	651651-8	SWITCH SS203KY-4		1			
027	911133-5	PAN HEAD SCREW M4X18		2			
028	682504-0	CORD GUARD 10-85		1			
029-2	856879-5	NAME PLATE 9501B		1			
031-1	414553-7	REAR COVER		1			
032H_	665016-8	POWER SUPPLY CORD 1.00-2-2.5		1			
033	911188-0	PAN HEAD SCREW M4X60		2			
035	221229-7	SPIRAL BEVEL GEAR 15		1			
036	254002-0	WOODRUFF KEY 3		1			
037	961006-2	RETAINING RING S-10		1			
038	221232-8	SPIRAL BEVEL GEAR 35		1			
039	911121-2	PAN HEAD SCREW M4X14		3			
040	285616-4	BEARING RETAINER 40		1			
041-1	211129-9	BALL BEARING 6201DDW		1			
042	253055-6	FLAT WASHER 12		1			
044	254002-0	WOODRUFF KEY 3		1			

045A_	322423-5	SPINDLE		1			
047	312629-3	BEARING BOX		1			
048	911121-2	PAN HEAD SCREW M4X14		4			
050	911221-8	PAN HEAD SCREW M5X16		3			
051-1	224030-9	INNER FLANGE 30		1			
052-1	224503-2	LOCK NUT 10-30		1	*		
052-2	224578-1	LOCK NUT 10-30	O	1			
900-1	257148-1	RING 16		1	*		

Please state Parts No. when your order.

Print Date 10/09/2023