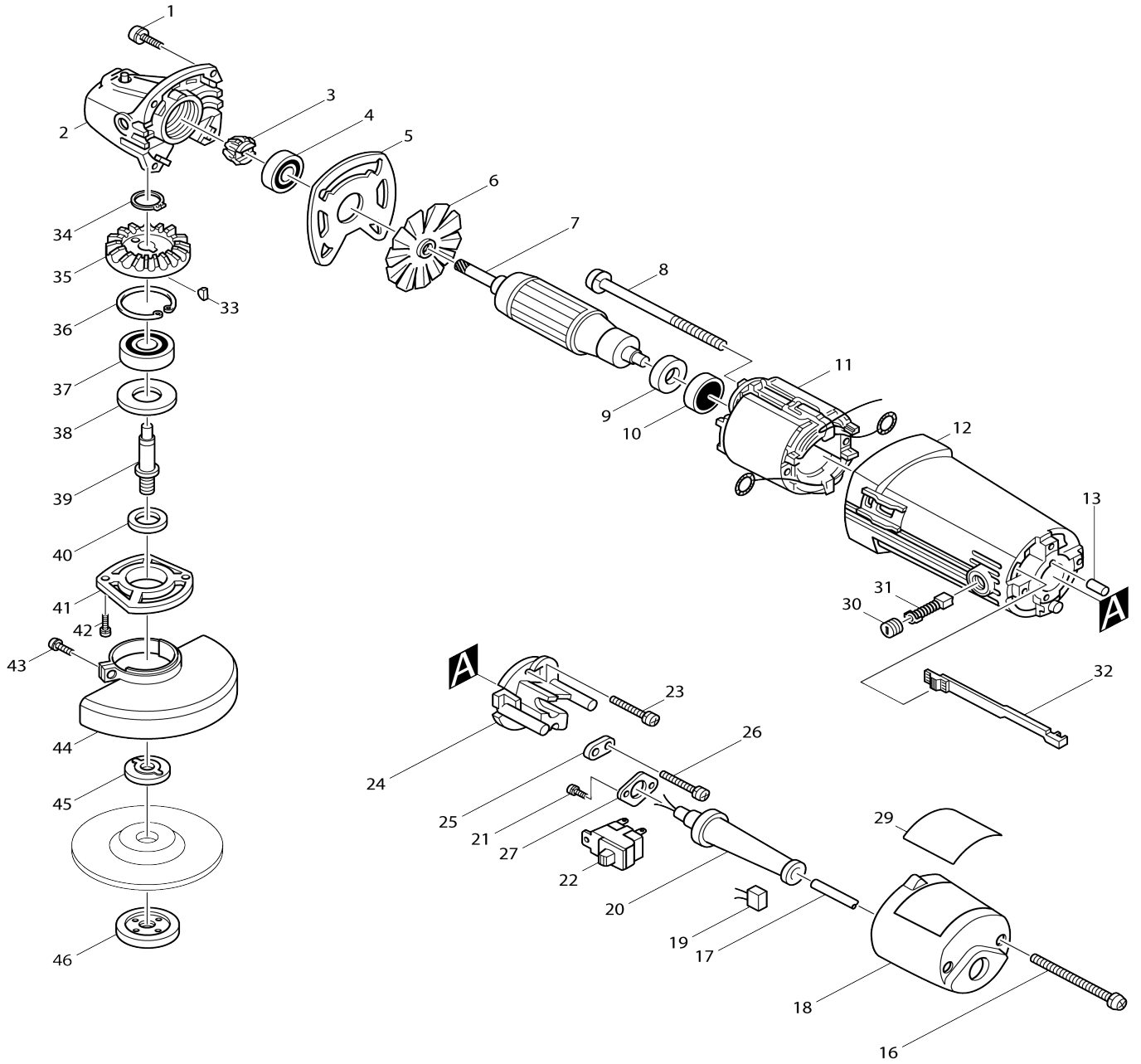


Model No.9505BH DISC GRINDER 125MM



Model No.9505BH DISC GRINDER 125MM

Item No.	Parts No.	Description	Interchangeability	Q'ty	New/Old	Note1	Note2
001	911136-9	PAN HEAD SCREW M4X20		4			
002	157393-7	GEAR HOUSING COMPLETE		1			
C10	212005-0	NEEDLE BEARING 810		1			
C20	213407-3	O RING 26		1			
C31	231464-9	COMPRESSION SPRING 5		1			
C40	256616-1	PIN 5		1			
C50	343312-1	CUP		1			
003	221357-8	SPIRAL BEVEL GEAR 11		1			
004-2	211088-7	BALL BEARING 6000DDW		1			
005	341398-9	PLATE		1			
006-1	241509-5	FAN 60		1			
007N_	511908-8	ARMATURE ASS'Y 220V		1			
D10		INC. 6,9,10					
008-3	911596-5	PAN HEAD SCREW M4X70		2			
009	681614-0	INSULATION WASHER		1			
010-2	211026-9	BALL BEARING 627LLB		1	*		
010-3	210025-8	BALL BEARING 627LLB	O	1			
011L1	521503-6	FIELD ASS'Y 220V		1			
C10	654018-9	RING TERMINAL		2			
C20	654501-6	CONNECTOR P-1.25		2			
012A_	159175-3	MOTOR HOUSING		1			
C10	643557-4	BRUSH HOLDER 5-8		2			
D10		INC. 13					
013	263002-9	RUBBER PIN 4		1			
016	911198-7	PAN HEAD SCREW M4X70		2			
017F_	665516-8	POWER SUPPLY CORD 1.00-2-2.5		1			
018	410190-5	REAR COVER		1			
019B_	645173-8	NOISE SUPPRESSOR		1			
020A_	682502-4	CORD GUARD 8-85		1			
021-1	911111-5	PAN HEAD SCREW M4X10 WITH W		2			
022A_	651651-8	SWITCH SS203KY-4		1			
023	911133-5	PAN HEAD SCREW M4X18		2			
024	410191-3	SWITCH HOLDER		1			
025	687001-1	STRAIN RELIEF		1			
026-2	911128-8	P.H.SCREW M4X16 WITH WR		2			
027	687637-6	SET PLATE		1			
029-1	856797-7	NAME PLATE 9505BH		1			
030	643550-8	BRUSH HOLDER CAP 5-8		2			
031A_	191628-6	CARBON BRUSH CB-65		1	*		
031A1	194969-9	CARBON BRUSH SET CB-65	O	1			
032C1	414659-1	SWITCH LEVER		1			
033	254002-0	WOODRUFF KEY 3		1			
034	961052-5	RETAINING RING (EXT) S-12		1			
035	221356-0	SPIRAL BEVEL GEAR 36		1			
036	962151-6	RETAINING RING R-32		1			
037-1	211106-1	BALL BEARING 6201LLB		1			
038	253055-6	FLAT WASHER 12		1			

039B_	321816-3	SPINDLE		1			
040	443034-4	FELT RING 18		1			
041-1	312998-2	BEARING BOX		1			
042	911121-2	PAN HEAD SCREW M4X14		4			
043	251259-4	+ PAN HEAD SCREW M5X16		1			
044C1	134440-1	WHEEL COVER 125 ASS'Y		1			
D10		INC. 43					
045B5	224298-7	INNER FLANGE 42		1	*		
045B6	224415-9	INNER FLANGE 42	<	1			
046B4	224543-0	LOCK NUT 14-45		1	*		
046B5	224554-5	LOCK NUT 14-45	O	1			
400-2	152490-4	GRIP 36 COMPLETE		1			
401-1	782412-6	LOCK NUT WRENCH 28		1			
404	782407-9	LOCK NUT WRENCH 35		1			
F15	192227-7	SUPER FLANGE		1			

Please state Parts No. when your order.

Print Date 10/09/2023