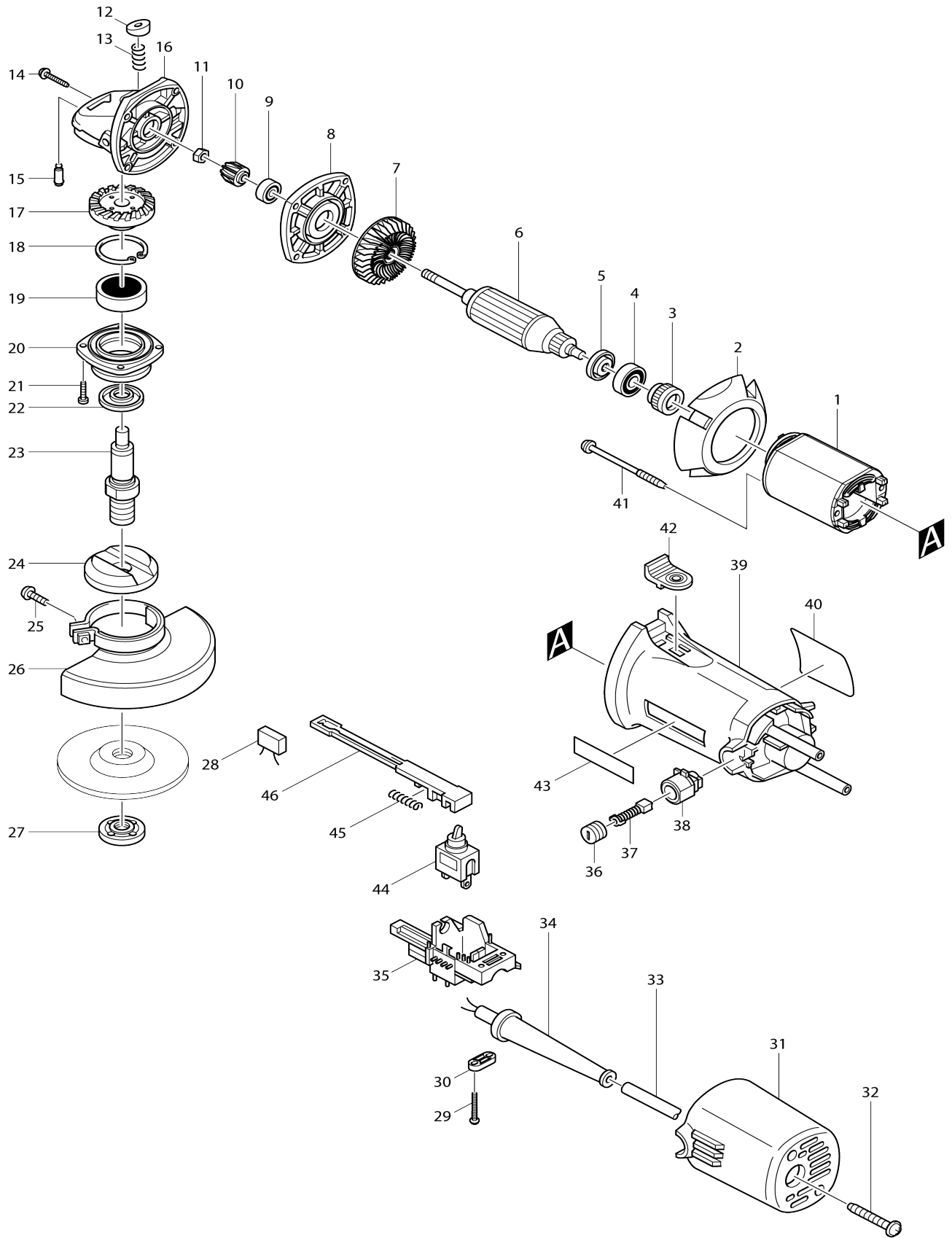


Model No.9521NB 115MM ANGLE GRINDER



Model No.9521NB 115MM ANGLE GRINDER

Item No.	Parts No.	Description	Interchangeability	Q'ty	New/Old	Note1	Note2
001C_	635003-1	FIELD 220V		1			
002	415490-8	BAFFLE PLATE		1			
003	421494-0	RUBBER RING 19		1			
004-1	210017-7	BALL BEARING 607DDW		1			
005	681636-0	INSULATION WASHER		1			
006C_	517503-2	ARMATURE ASS'Y 220V		1			
D10		INC. 4,5,7					
007	241875-0	FAN 54		1			
008	316601-7	GEAR HOUSING COVER		1			
009	210005-4	BALL BEARING 608DDW		1			
010	226716-1	SPIRAL BEVEL GEAR 11		1			
011	252137-1	HEX. NUT M5-8		1			
012	415491-6	PIN CAP		1			
013	233072-2	COMPRESSION SPRING 8		1			
014	265999-8	TAPPING SCREW 4X25		4			
015	256437-1	PIN 4		1			
016	159711-5	GEAR HOUSING COMPLETE		1	*		
016-1	151742-0	GEAR HOUSING COMPLETE	S	1			
017	226717-9	SPIRAL BEVEL GEAR 36		1	*		
017-1	226728-4	SPIRAL BEVEL GEAR 36	O	1			
018	962151-6	RETAINING RING R-32		1			
019	211129-9	BALL BEARING 6201DDW		1			
020	316600-9	BEARING BOX		1			
021	266034-5	TAPPING SCREW CT 4X16		4	*		
021-1	911121-2	PAN HEAD SCREW M4X14	X	4			
022	415492-4	LABYRINTH RING		1			
023A_	322756-8	SPINDLE M14X2.0		1			
024A1	224298-7	INNER FLANGE 42		1	*		
024A2	224415-9	INNER FLANGE 42	<	1			
025	251391-4	PAN HEAD SCREW M5X16		1			
026	165053-7	WHEEL COVER		1	*		
026-1	165362-4	WHEEL COVER	O	1			
027A_	224554-5	LOCK NUT 14-45		1			
028	645105-5	NOISE SUPPRESSOR		1			
029	265995-6	TAPPING SCREW 4X18		2			
030A1	687052-4	STRAIN RELIEF		1			
031	415540-9	REAR COVER		1			
032	266053-1	TAPPING SCREW 4X35		2			
033H_	665394-6	POWER SUPPLY CORD 1.0-2-2.5		1			
034A_	682503-2	CORD GUARD 8-90		1			
035	687069-7	SUPPORT		1			
036	643550-8	BRUSH HOLDER CAP 5-8		2			
037A_	191940-4	CARBON BRUSH CB-411		1	*		
037A1	195010-1	CARBON BRUSH SET CB-411	O	1			
038	643922-7	BRUSH HOLDER		2			
039	159755-5	MOTOR HOUSING COMPLETE		1	*		
C10	654125-8	TERMINAL		2	*		

039-1	159755-5	MOTOR HOUSING COMPLETE	<	1		
C10	654125-8	TERMINAL		2		
040	857551-2	NAME PLATE 9521NB		1		
041	266049-2	TAPPING SCREW 4X75		2		
042	415303-3	SWITCH KNOB		1		
043	819063-3	MAKITA LABEL		1	*	
044	651418-4	SWITCH ST115A-40		1	*	
044-1	651418-4	SWITCH ST115A-40	O	1		
045	233071-4	COMPRESSION SPRING 4		1		
046	415541-7	SWITCH LEVER		1		
A01-1	152490-4	GRIP 36 COMPLETE		1		
A02A_	782407-9	LOCK NUT WRENCH 35		1		
E05	654531-7	TERMINAL BLOCK 2P		1		
F08	192227-7	SUPER FLANGE		0		

Please state Parts No. when your order.

Print Date 11/06/2023