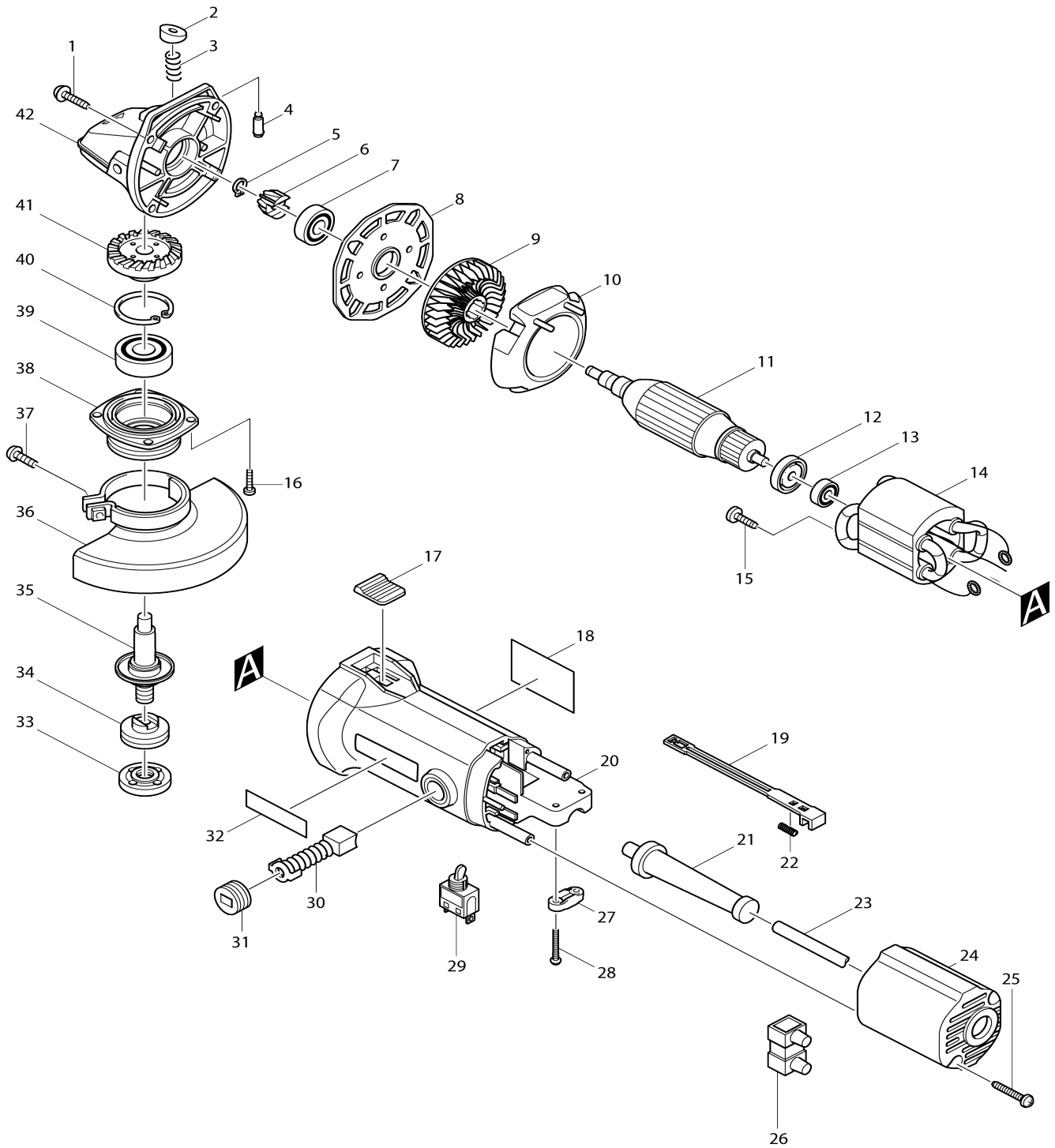


# Model No.9524NB 115MM ANGLE GRINDER



# Model No.9524NB 115MM ANGLE GRINDER

| Item No. | Parts No. | Description                 | Interchangability | Q'ty | New/Old | Note1 | Note2 |
|----------|-----------|-----------------------------|-------------------|------|---------|-------|-------|
| 001-2    | 266041-8  | TAPPING SCREW 5X25          |                   | 4    |         |       |       |
| 002      | 415491-6  | PIN CAP                     |                   | 1    |         |       |       |
| 003      | 233072-2  | COMPRESSION SPRING 8        |                   | 1    |         |       |       |
| 004      | 256437-1  | PIN 4                       |                   | 1    |         |       |       |
| 005      | 961002-0  | RETAINING RING S-6          |                   | 1    |         |       |       |
| 006      | 226733-1  | SPIRAL BEVEL GEAR 11        |                   | 1    | *       |       |       |
| 006-1    | 226799-1  | SPIRAL BEVEL GEAR 11        | S                 | 1    |         |       |       |
| 007      | 211062-5  | BALL BEARING 6000ZZ         |                   | 1    |         |       |       |
| 008      | 285684-7  | BEARING RETAINER 52         |                   | 1    |         |       |       |
| 009      | 241890-4  | FAN 57                      |                   | 1    |         |       |       |
| 010      | 415954-2  | BAFFLE PLATE                |                   | 1    |         |       |       |
| 011      | 517168-0  | ARMATURE ASS'Y 220/240V     |                   | 1    | *       |       |       |
| D10      |           | INC. 12,13                  |                   |      |         |       |       |
| 011-1    | 517303-0  | ARMATURE ASS'Y 220-240V     | X                 | 1    |         |       |       |
| D10      |           | INC. 9,12,13                |                   |      |         |       |       |
| 012      | 681638-6  | INSULATION WASHER           |                   | 1    |         |       |       |
| 013      | 211012-0  | BALL BEARING 606ZZ          |                   | 1    |         |       |       |
| 014      | 521623-6  | FIELD ASS'Y 220-240V        |                   | 1    |         |       |       |
| C10      | 654100-4  | RING TERMINAL               |                   | 2    |         |       |       |
| C20      | 654501-6  | CONNECTOR P-1.25            |                   | 2    | *       |       |       |
| C21      | 654485-8  | PARALLEL SPLICE             | O                 | 2    |         |       |       |
| 015      | 266007-8  | TAPPING SCREW BIND PT 3X10  |                   | 2    |         |       |       |
| 016      | 266034-5  | TAPPING SCREW CT 4X16       |                   | 4    |         |       |       |
| 017      | 415952-6  | SWITCH KNOB                 |                   | 1    |         |       |       |
| 018A_    | 859963-5  | NAME PLATE 9524NB           |                   | 1    |         |       |       |
| 019      | 415953-4  | SWITCH LEVER                |                   | 1    | *       |       |       |
| 019-1    | 417352-6  | SWITCH LEVER                | X                 | 1    |         |       |       |
| 020      | 159866-6  | MOTOR HOUSING COMPLETE      |                   | 1    |         |       |       |
| C10      | 643927-7  | BRUSH HOLDER                |                   | 2    |         |       |       |
| 021      | 682502-4  | CORD GUARD 8-85             |                   | 1    |         |       |       |
| 022      | 233153-2  | COMPRESSION SPRING 4        |                   | 1    | *       |       |       |
| 022-1    | 233285-5  | COMPRESSION SPRING 4        | X                 | 1    |         |       |       |
| 023A_    | 666066-6  | POWER SUPPLY CORD 1.0-2-2.5 |                   | 1    |         |       |       |
| 024      | 415955-0  | REAR COVER                  |                   | 1    |         |       |       |
| 025-2    | 265995-6  | TAPPING SCREW 4X18          |                   | 2    |         |       |       |
| 026      | 654532-5  | TERMINAL BLOCK 1P           |                   | 1    |         |       |       |
| 027      | 687052-4  | STRAIN RELIEF               |                   | 1    |         |       |       |
| 028-2    | 265995-6  | TAPPING SCREW 4X18          |                   | 2    |         |       |       |
| 029      | 651403-7  | SWITCH ST115A-31            |                   | 1    | *       |       |       |
| 029-1    | 651433-8  | SWITCH ST115A-31            | <                 | 1    | *       |       |       |
| 029-2    | 651433-8  | SWITCH ST115A-31            | O                 | 1    |         |       |       |
| 030      | 191940-4  | CARBON BRUSH CB-411         |                   | 1    | *       |       |       |
| 030-1    | 195010-1  | CARBON BRUSH SET CB-411     | O                 | 1    |         |       |       |
| 031      | 643928-5  | BRUSH HOLDER CAP            |                   | 2    |         |       |       |
| 032      | 819063-3  | MAKITA LABEL                |                   | 1    |         |       |       |
| 033      | 224554-5  | LOCK NUT 14-45              |                   | 1    |         |       |       |
| 034      | 224298-7  | INNER FLANGE 42             |                   | 1    | *       |       |       |

|       |          |                       |   |   |   |  |  |
|-------|----------|-----------------------|---|---|---|--|--|
| 034-1 | 224415-9 | INNER FLANGE 42       | < | 1 |   |  |  |
| 035   | 152522-7 | SPINDLE COMPLETE      |   | 1 |   |  |  |
| C10   | 344347-5 | LABYRINTH RING        |   | 1 |   |  |  |
| 036   | 165053-7 | WHEEL COVER           |   | 1 |   |  |  |
| 037   | 251391-4 | PAN HEAD SCREW M5X16  |   | 1 |   |  |  |
| 038   | 316800-1 | BEARING BOX           |   | 1 |   |  |  |
| 039   | 211107-9 | BALL BEARING 6201ZZ   |   | 1 | * |  |  |
| 039-1 | 211129-9 | BALL BEARING 6201DDW  | X | 1 |   |  |  |
| 040   | 962151-6 | RETAINING RING R-32   |   | 1 |   |  |  |
| 041   | 226728-4 | SPIRAL BEVEL GEAR 36  |   | 1 | * |  |  |
| 041-1 | 226798-3 | SPIRAL BEVEL GEAR 36  | S | 1 |   |  |  |
| 042   | 159867-4 | GEAR HOUSING COMPLETE |   | 1 |   |  |  |
| A01   | 152490-4 | GRIP 36 COMPLETE      |   | 1 | * |  |  |
| A01-1 | 153489-2 | GRIP 36 COMPLETE      | O | 1 |   |  |  |
| A03   | 782407-9 | LOCK NUT WRENCH 35    |   | 1 | * |  |  |
| A03-1 | 782034-2 | LOCK NUT WRENCH 35    | O | 1 |   |  |  |
| E02   | 645200-1 | NOISE SUPPRESSOR      |   | 1 |   |  |  |

Please state Parts No. when your order.

Print Date 10/09/2023