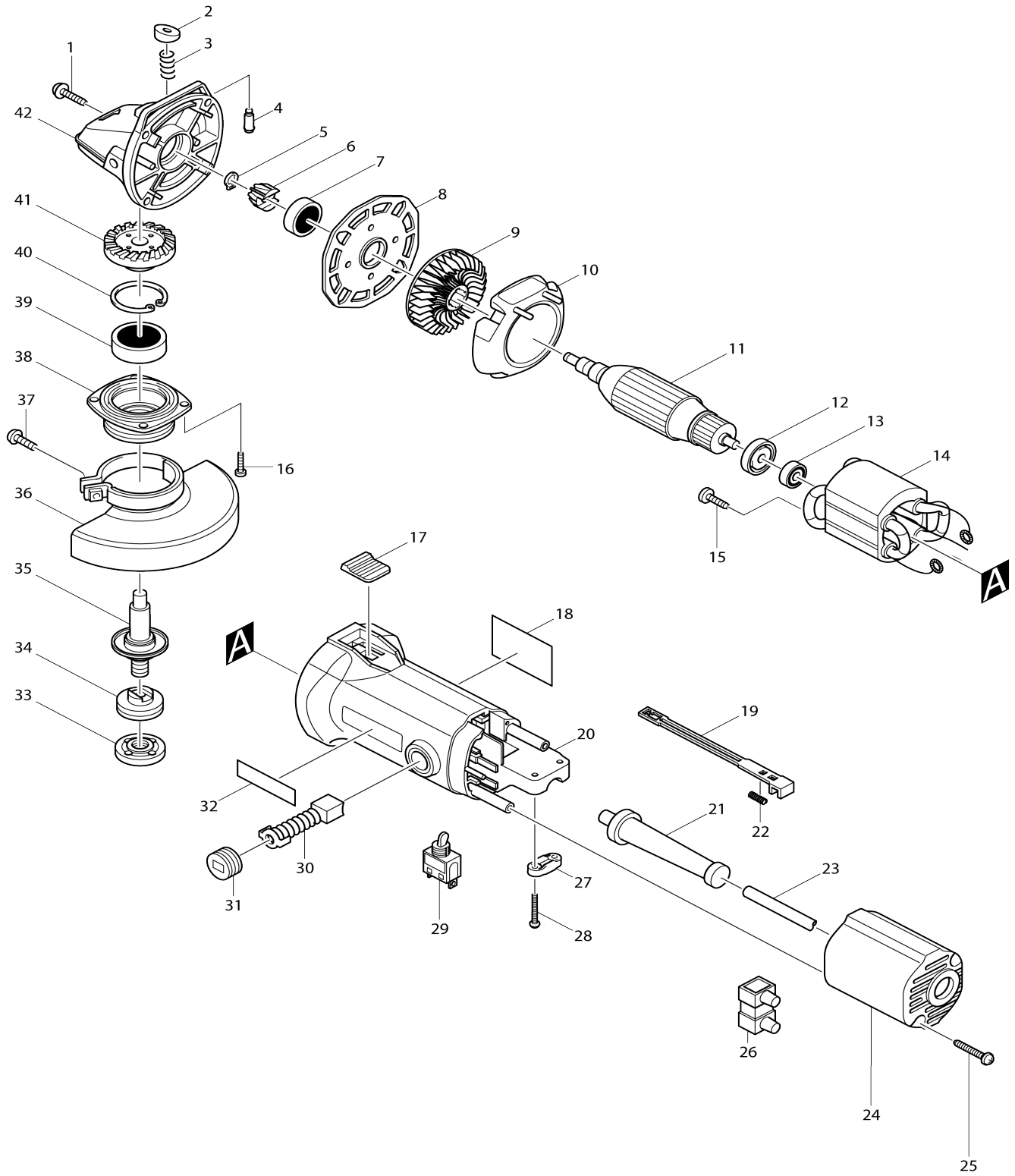


Model No.9525NB 125MM ANGLE GRINDER



Model No.9525NB 125MM ANGLE GRINDER

Item No.	Parts No.	Description	Interchangeability	Q'ty	New/Old	Note1	Note2
001-2	266041-8	TAPPING SCREW 5X25		4			
002	415491-6	PIN CAP		1			
003	233072-2	COMPRESSION SPRING 8		1			
004	256437-1	PIN 4		1			
005	961002-0	RETAINING RING S-6		1			
006	226735-7	SPIRAL BEVEL GEAR 10		1	*		
006-1	226748-8	SPIRAL BEVEL GEAR 10	S	1	*		
006-2	227408-5	SPIRAL BEVEL GEAR 10	S	1			
007	211062-5	BALL BEARING 6000ZZ		1			
008	285684-7	BEARING RETAINER 52		1			
009	241890-4	FAN 57		1			
010	415954-2	BAFFLE PLATE		1			
011	517168-0	ARMATURE ASS'Y 220/240V		1	*		
D10		INC. 12,13					
011-1	517303-0	ARMATURE ASS'Y 220-240V	X	1			
D10		INC. 9,12,13					
012	681638-6	INSULATION WASHER		1			
013	211012-0	BALL BEARING 606ZZ		1			
014	521623-6	FIELD ASS'Y 220-240V		1			
C10	654100-4	RING TERMINAL		2			
C20	654501-6	CONNECTOR P-1.25		2	*		
C21	654485-8	PARALLEL SPLICE	O	2			
015	266007-8	TAPPING SCREW BIND PT 3X10		2			
016	266034-5	TAPPING SCREW CT 4X16		4			
017	415952-6	SWITCH KNOB		1			
018-1	851575-0	NAME PLATE 9525NB		1			
019	415953-4	SWITCH LEVER		1	*		
019-1	417352-6	SWITCH LEVER	X	1			
020	159866-6	MOTOR HOUSING COMPLETE		1			
C10	643927-7	BRUSH HOLDER		2			
021	682502-4	CORD GUARD 8-85		1			
022	233153-2	COMPRESSION SPRING 4		1	*		
022-1	233285-5	COMPRESSION SPRING 4	X	1			
023A_	666066-6	POWER SUPPLY CORD 1.0-2-2.5		1			
024	415955-0	REAR COVER		1			
025-2	265995-6	TAPPING SCREW 4X18		2			
026	654532-5	TERMINAL BLOCK 1P		1			
027B_	687063-9	CORD CLAMP		1	*		
027B1	687123-7	STRAIN RELIEF	O	1			
028-2	265995-6	TAPPING SCREW 4X18		2			
029	651403-7	SWITCH ST115A-31		1	*		
029-1	651433-8	SWITCH ST115A-31	<	1	*		
029-2	651433-8	SWITCH ST115A-31	O	1			
030	191940-4	CARBON BRUSH CB-411		1	*		
030-1	195010-1	CARBON BRUSH SET CB-411	O	1			
031	643928-5	BRUSH HOLDER CAP		2			
032	819063-3	MAKITA LABEL		1			

033	224554-5	LOCK NUT 14-45		1		
034	224298-7	INNER FLANGE 42		1	*	
034-1	224415-9	INNER FLANGE 42	<	1		
035	152522-7	SPINDLE COMPLETE		1		
C10	344347-5	LABYRINTH RING		1		
036	165055-3	WHEEL COVER		1	*	
036-1	125097-9	WHEEL COVER ASS'Y	O	1		
D10		INC. 37				
037	251391-4	PAN HEAD SCREW M5X16		1		
038	316800-1	BEARING BOX		1		
039	211107-9	BALL BEARING 6201ZZ		1	*	
039-1	211129-9	BALL BEARING 6201DDW	X	1		
040	962151-6	RETAINING RING R-32		1		
041	226734-9	SPIRAL BEVEL GEAR 36		1	*	
041-1	226749-6	SPIRAL BEVEL GEAR 36	S	1	*	
041-2	227407-7	SPIRAL BEVEL GEAR 36	S	1		
042	159867-4	GEAR HOUSING COMPLETE		1		
A01	152490-4	GRIP 36 COMPLETE		1	*	
A01-1	153489-2	GRIP 36 COMPLETE	O	1		
A02	A-83674	DEPRESSED CENTER WHEEL 125 MM		1	*	
A03	782407-9	LOCK NUT WRENCH 35		1	*	
A03-1	782034-2	LOCK NUT WRENCH 35	O	1		
E02	645200-1	NOISE SUPPRESSOR		1		

Please state Parts No. when your order.

Print Date 10/09/2023