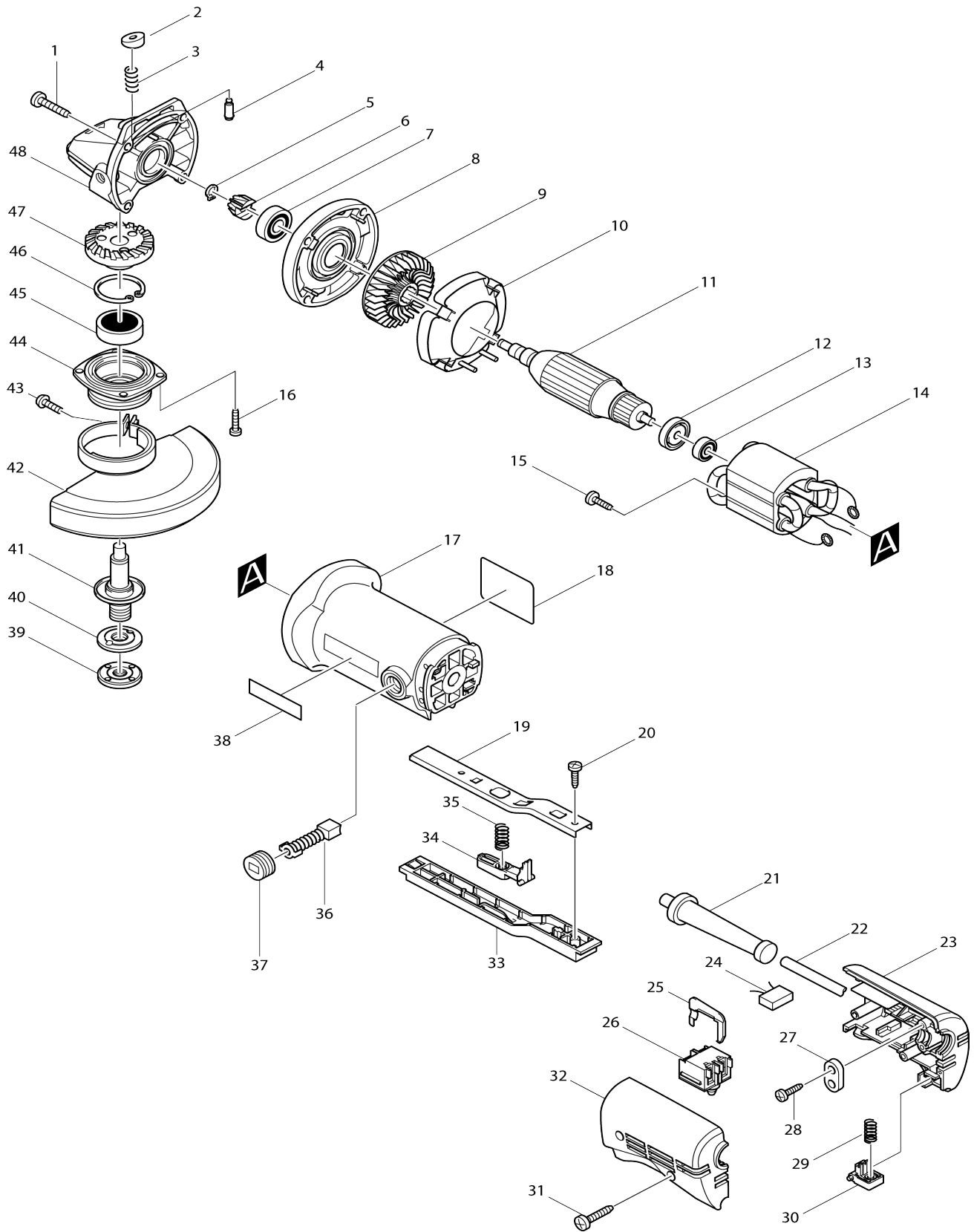


Model No.9528PB 125MM ANGLE GRINDER



Model No.9528PB 125MM ANGLE GRINDER

Item No.	Parts No.	Description	Interchangeability	Q'ty	New/Old	Note1	Note2
001-1	266142-2	TAPPING SCREW FLANGE PF 5X30		4	*		
001-2	266173-1	TAPPING SCREW 5X30	O	4			
002	415491-6	PIN CAP		1			
003	233072-2	COMPRESSION SPRING 8		1			
004	256437-1	PIN 4		1			
005	961002-0	RETAINING RING S-6		1			
006	226735-7	SPIRAL BEVEL GEAR 10		1	*		
006-1	226748-8	SPIRAL BEVEL GEAR 10	X	1			
007	211088-7	BALL BEARING 6000DDW		1			
008	316807-7	GEAR HOUSING COVER		1			
009	241891-2	FAN 57		1			
010	415971-2	BAFFLE PLATE		1			
011	517173-7	ARMATURE ASS'Y 220V		1	*		
D10		INC. 9,12,13					
011-1	517308-0	ARMATURE ASS'Y 220V	X	1			
D10		INC. 9,12,13					
012	681638-6	INSULATION WASHER		1			
013	211012-0	BALL BEARING 606ZZ		1			
014	521628-6	FIELD ASS'Y 220/240V		1			
C10	654100-4	RING TERMINAL		2			
C21	654555-3	CONNECTOR 34130		2	*		
C22	654501-6	CONNECTOR P-1.25	O	2			
015	266007-8	TAPPING SCREW BIND PT 3X10		2			
016	266034-5	TAPPING SCREW CT 4X16		4			
017	159875-5	MOTOR HOUSING COMPLETE		1			
C10	643927-7	BRUSH HOLDER		2			
018	858209-6	NAME PLATE 9528PB		1			
019	344357-2	PLATE		1			
020	265954-0	TAPPING SCREW BIND PT3X8		1			
021	682502-4	CORD GUARD 8-85		1			
022A_	665394-6	POWER SUPPLY CORD 1.0-2-2.5		1			
023	182825-5	REAR COVER SET		1			
D10		INC. 32					
024	645200-1	NOISE SUPPRESSOR		1	*		
024-1	645147-9	NOISE SUPPRESSOR	O	1			
025	652186-2	DIVIDER		1			
026	651947-7	SWITCH 1247.0302		1			
027A_	687052-4	STRAIN RELIEF		1			
028-1	266121-0	TAPPING SCREW FLANGE PF 4X18		2	*		
028-2	265995-6	TAPPING SCREW 4X18	O	2			
029	231252-4	COMPRESSION SPRING 6		1			
030	415973-8	LOCK-ON BUTTON		1			
031-1	266119-7	TAPPING SCREW FLANGE PF 4X25		2	*		
031-2	265999-8	TAPPING SCREW 4X25	O	2			
032	182825-5	REAR COVER SET		1			

D10		INC. 23				
033	415972-0	SWITCH LEVER		1		
034	415974-6	LOCK-OFF BUTTON		1		
035	233127-3	COMPRESSION SPRING 7		1		
036	191940-4	CARBON BRUSH CB-411		1	*	
036-1	195010-1	CARBON BRUSH SET CB-411	O	1		
037	643928-5	BRUSH HOLDER CAP		2		
038	819063-3	MAKITA LABEL		1		
039	224554-5	LOCK NUT 14-45		1		
040	224298-7	INNER FLANGE 42		1	*	
040-1	224415-9	INNER FLANGE 42	<	1		
041	152516-2	SPINDLE COMPLETE		1	*	
C10	344347-5	LABYRINTH RING		1	*	
041-1	152522-7	SPINDLE COMPLETE	O	1		
C10	344347-5	LABYRINTH RING		1		
042	165055-3	WHEEL COVER		1	*	
042-1	125097-9	WHEEL COVER ASS'Y	O	1		
D10		INC. 43				
043	251391-4	PAN HEAD SCREW M5X16		1		
044	316800-1	BEARING BOX		1		
045	211129-9	BALL BEARING 6201DDW		1		
046	962151-6	RETAINING RING R-32		1		
047	226734-9	SPIRAL BEVEL GEAR 36		1	*	
047-1	226749-6	SPIRAL BEVEL GEAR 36	X	1		
048	159874-7	GEAR HOUSING COMPLETE		1		
A01	152487-3	GRIP 36 COMPLETE		1	*	
A01-1	153489-2	GRIP 36 COMPLETE	O	1		
A03	782407-9	LOCK NUT WRENCH 35		1	*	
A03-1	782034-2	LOCK NUT WRENCH 35	O	1		
B01	192640-9	SPIRAL BEVEL GEAR SET		1	*	
D10		INC. 6,47				
B01-1	183915-7	SPIRAL BEVEL GEAR SET	<	1		
D10		INC. 6,47				
A02	P-45761	DIAMOND WHEEL 125MM		1		

Please state Parts No. when your order.

Print Date 10/09/2023