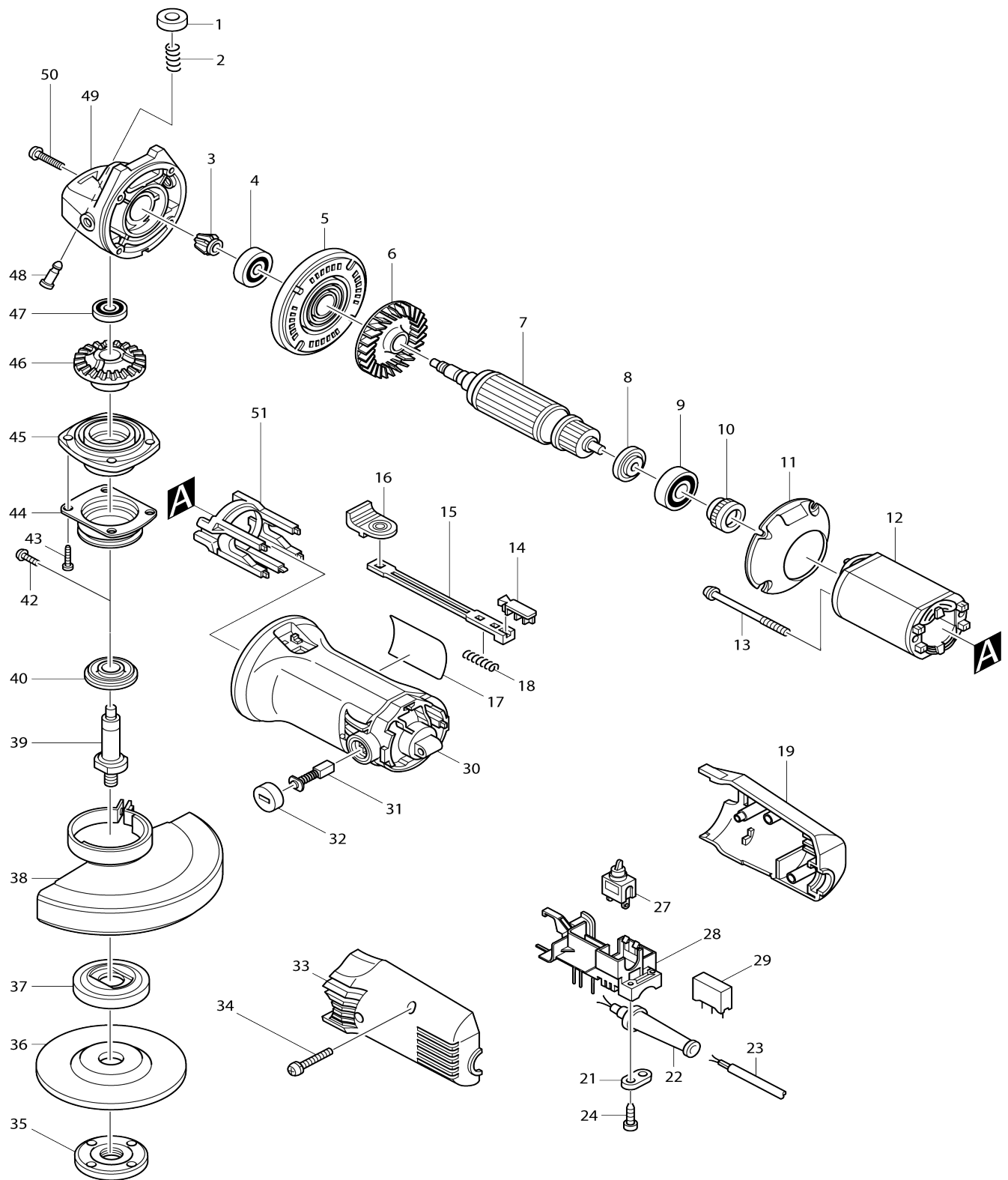


Model No.9541 115MM ANGLE GRINDER



Model No.9541 115MM ANGLE GRINDER

Item No.	Parts No.	Description	Interc hang eabilit y	Q'ty	New/ Old	Note1	Note2
001	415301-7	PIN CAP		1			
002	233072-2	COMPRESSION SPRING 8		1			
003	226712-9	SPIRAL BEVEL GEAR 10		1			
004	211056-0	BALL BEARING 629LLB		1	*		
004-1	210042-8	BALL BEARING 629LLB	O	1			
005	415302-5	GEAR HOUSING COVER		1			
006	241867-9	FAN 57		1			
007B_	517053-7	ARMATURE ASS'Y 220V		1			
D10		INC. 8,9					
008	681632-8	INSULATION WASHER		1			
009-1	210017-7	BALL BEARING 607DDW		1			
010	421479-6	RUBBER RING 19		1			
011	415296-4	BAFFLE PLATE		1			
012C_	633248-5	FIELD 220V/240V		1			
013	266004-4	TAPPING SCREW 4X70		2			
014	415305-9	SWITCH LEVER		1			
015	415304-1	SWITCH ROD		1			
016	415303-3	SWITCH KNOB		1			
017	857311-2	NAME PLATE		1			
018	233071-4	COMPRESSION SPRING 4		1			
019	182576-0	REAR COVER SET		1	*		
D10		INC. 33					
019-1	182705-5	REAR COVER SET	X	1			
D10		INC. 33					
021A1	687052-4	STRAIN RELIEF		1			
022A_	682502-4	CORD GUARD 8-85		1			
023G_	665394-6	POWER SUPPLY CORD 1.0-2-2.5		1			
024	265941-9	TAPPING SCREW BT 4X18		2			
027	651418-4	SWITCH ST115A-40		1	*		
027-1	651418-4	SWITCH ST115A-40	O	1			
028	632463-8	SWITCH BLOCK UNIT		1	*		
028-1	182692-8	SWITCH BLOCK UNIT	O	1	*		
C10	654134-7	SPRING TERMINAL		2	*		
028-2	687073-6	SUPPORT		1			
029B_	645253-0	NOISE SUPPRESSOR		1			
030-1	159787-2	MOTOR HOUSING COMPLETE		1	*		
C10	643752-6	BRUSH HOLDER		2	*		
030-2	183555-1	MOTOR HOUSING	<	1			
C10	643752-6	BRUSH HOLDER		2			
031	191959-3	A.C. CARBON BRUSH CB-302		1			
032	643753-4	BRUSH HOLDER CAP		2			
033	182576-0	REAR COVER SET		1	*		
D10		INC. 19					
033-1	182705-5	REAR COVER SET	X	1			
D10		INC. 19					
034	265999-8	TAPPING SCREW 4X25		3			
035	224554-5	LOCK NUT 14-45		1			

036	B-02565	DEPRESSED CENTER WHEEL 115-36		1	*		
037	224298-7	INNER FLANGE 42		1	*		
037-1	224415-9	INNER FLANGE 42	<	1			
038	165053-7	WHEEL COVER		1	*		
038-1	165362-4	WHEEL COVER	O	1			
039	322606-7	SPINDLE		1			
040	415300-9	LABYRINTH RING		1			
041	415320-3	BAND COVER		1	*		
042	251391-4	PAN HEAD SCREW M5X16		1			
043	266003-6	TAPPING SCREW 4X16		4	*		
043-1	266034-5	TAPPING SCREW CT 4X16	O	4			
044	344053-2	WHEEL COVER BASE		1			
045	161120-6	BEARING BOX COMPLETE		1			
046	226713-7	SPIRAL BEVEL GEAR 38		1			
047	211023-5	BALL BEARING 607LB		1			
048	256435-5	PIN 5		1			
049	316500-3	GEAR HOUSING		1			
050	266008-6	TAPPING SCREW PT5X30		4	*		
050-1	266173-1	TAPPING SCREW 5X30	O	4			
051	632454-9	CONNECTING BLOCK		1			
A01-1	152490-4	GRIP 36 COMPLETE		1			
A02	782407-9	LOCK NUT WRENCH 35		1			

Please state Parts No. when your order.

Print Date 10/09/2023