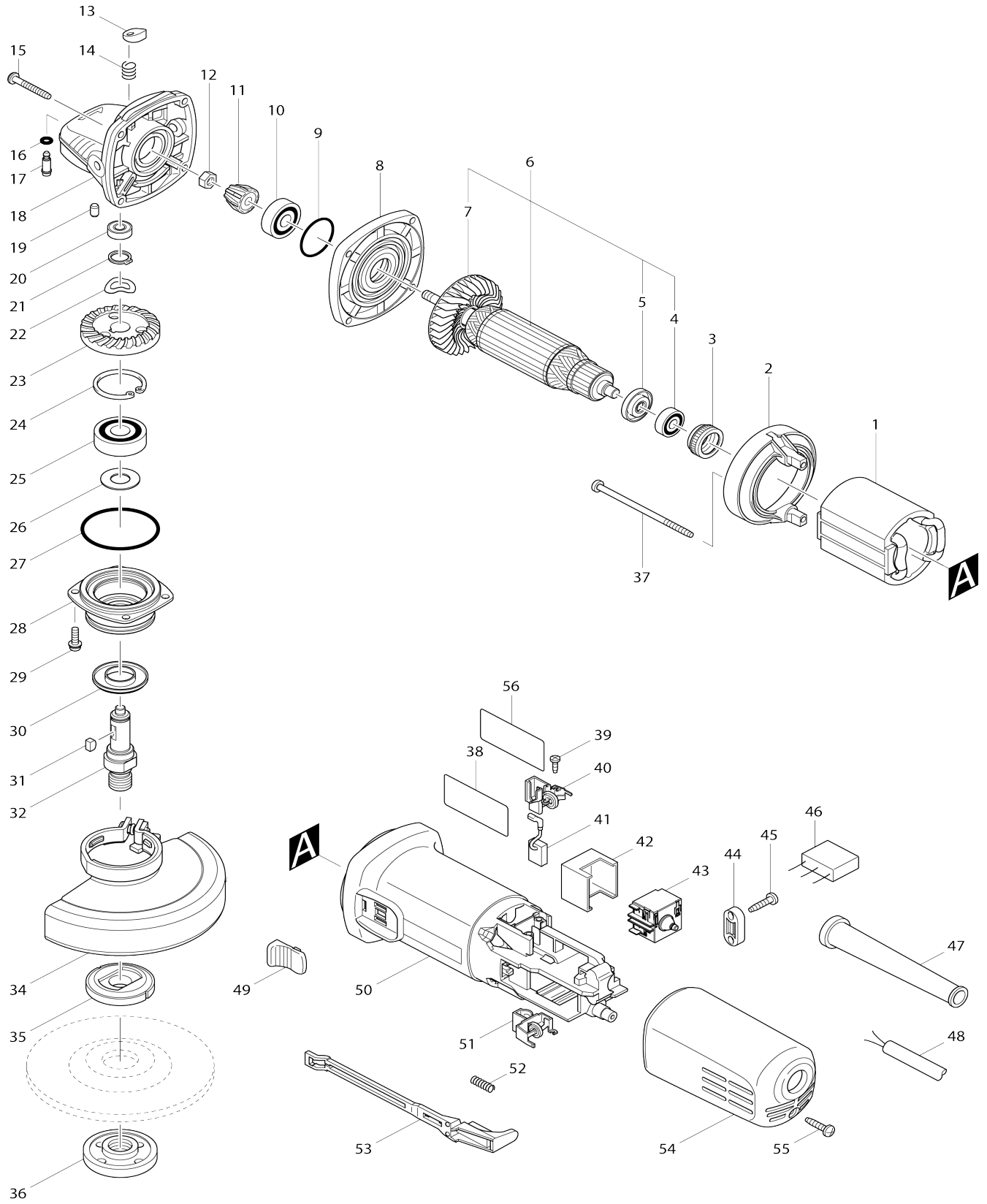


Model No.9557HNR 115MM ANGLE GRINDER



Model No.9557HNR 115MM ANGLE GRINDER

Item No.	Parts No.	Description	Interchangability	Q'ty	New/Old	Note1	Note2
001	621708-9	FIELD 220-240V		1			
002	418770-1	BAFFLE PLATE		1	*		
002-1	457791-8	BAFFLE PLATE	<	1			
003	421868-5	LABYRINTH RUBBER RING 19		1	*		
003-1	422768-2	LABYRINTH RUBBER RING19	<	1			
004	210034-7	BALL BEARING 607LLB		1			
005	681636-0	INSULATION WASHER		1			
006	515613-9	ARMATURE ASS'Y 220-240V		1			
D10		INC. 4,5,7					
007	240076-7	FAN 56		1			
008	317821-6	GEAR HOUSING COVER		1			
009	213445-5	O-RING 26		1	*		
009-1	213407-3	O RING 26	O	1			
010	210042-8	BALL BEARING 629LLB		1			
011	227541-3	SPIRAL BEVEL GEAR 10		1			
012	252186-8	HEX. NUT M6		1			
013	417771-6	PIN CAP		1			
014	233376-2	COMPRESSION SPRING 8		1			
015	266050-7	TAPPING SCREW 4X30		4	*		
015-1	265B70-0	TAPPING SCREW 4X30	O	4			
016	213960-9	O RING 5		1			
017	256546-6	SHOULDER PIN 4		1			
018	318941-9	GEAR HOUSING		1			
019	263002-9	RUBBER PIN 4		1			
020	210033-9	BALL BEARING 696ZZ		1			
021	961052-5	RETAINING RING (EXT) S-12		1			
022	267794-2	WAVE WASHER 12		1			
023	227542-1	SPIRAL BEVEL GEAR 37		1			
024	962151-6	RETAINING RING R-32		1			
025	211129-9	BALL BEARING 6201DDW		1			
026	267238-2	FLAT WASHER 12		1			
027	213622-9	O RING 45		1			
028	318331-6	BEARING BOX		1			
029	265099-4	PAN HEAD SCREW M4X14		4			
030	345464-4	LABYRINTH RING		1			
031	254011-9	WOODRUFF KEY 4		1			
032	324489-1	SPINDLE		1			
034	123098-1	WHEEL COVER 115AK ASS'Y		1	*		
C10	213009-5	O RING 4		1	*		
C20	265180-1	PAN HEAD SCREW M5X16		1	*		
034-1	141P27-8	WHEEL COVER 115AK COMPLETE	<	1			
C10	213009-5	O RING 4		1			
C20	265180-1	PAN HEAD SCREW M5X16		1			
C30	8050A1-8	CAUTION LABEL		1			
035	224415-9	INNER FLANGE 42		1			
036	224554-5	LOCK NUT 14-45		1			
037	266623-6	+BIND TAPPING SCREW 4X80		2	*		

037-1	265B68-7	TAPPING SCREW 4X80	O	2		
038	851T02-7	9557HNR NAME PLATE		1		
039	266007-8	TAPPING SCREW BIND PT 3X10		4		
040	643760-7	BRUSH HOLDER		1		
041	194074-2	CARBON BRUSH CB-325		1		
042	418729-8	SPACER		1		
043	650769-2	SWITCH		1		
044	687124-5	STRAIN RELIEF		1		
045	265995-6	TAPPING SCREW 4X18		2	*	
045-1	265B67-9	TAPPING SCREW 4X18	O	2		
046	638740-6	CAPACITOR UNIT		1	*	
046-1	638740-6	CAPACITOR UNIT	O	1		
047	682559-5	CORD GUARD 8		1		
048	665394-6	POWER SUPPLY CORD 1.0-2-2.5		1		
049	419566-3	SWITCH KNOB		1		
050	451125-7	MOTOR HOUSING		1		
051	643760-7	BRUSH HOLDER		1		
052	233121-5	COMPRESSION SPRING 4		1		
053	418728-0	SWITCH LEVER B		1		
054	418726-4	REAR COVER		1	*	
054-1	413A32-8	REAR COVER	<	1		
055	265995-6	TAPPING SCREW 4X18		1	*	
055-1	265B67-9	TAPPING SCREW 4X18	O	1		
056	805W65-3	CLEAR LABEL		1	*	
A01	153489-2	GRIP 36 COMPLETE		1		
A02	782423-1	LOCK NUT WRENCH 35		1		
F04	192227-7	SUPER FLANGE		1		
F19	194514-0	VIBRATION PROOF GRIP SET		1		
F21-1	195239-9	115/125MM DUST COVER K SET	<	1	*	
F26	191W06-8	115/125MM DUST COVER K SET		1		
C10	743129-6	BRUSH A		1		
C20	743130-1	BRUSH B		1		

Please state Parts No. when your order.

Print Date 11/12/2023