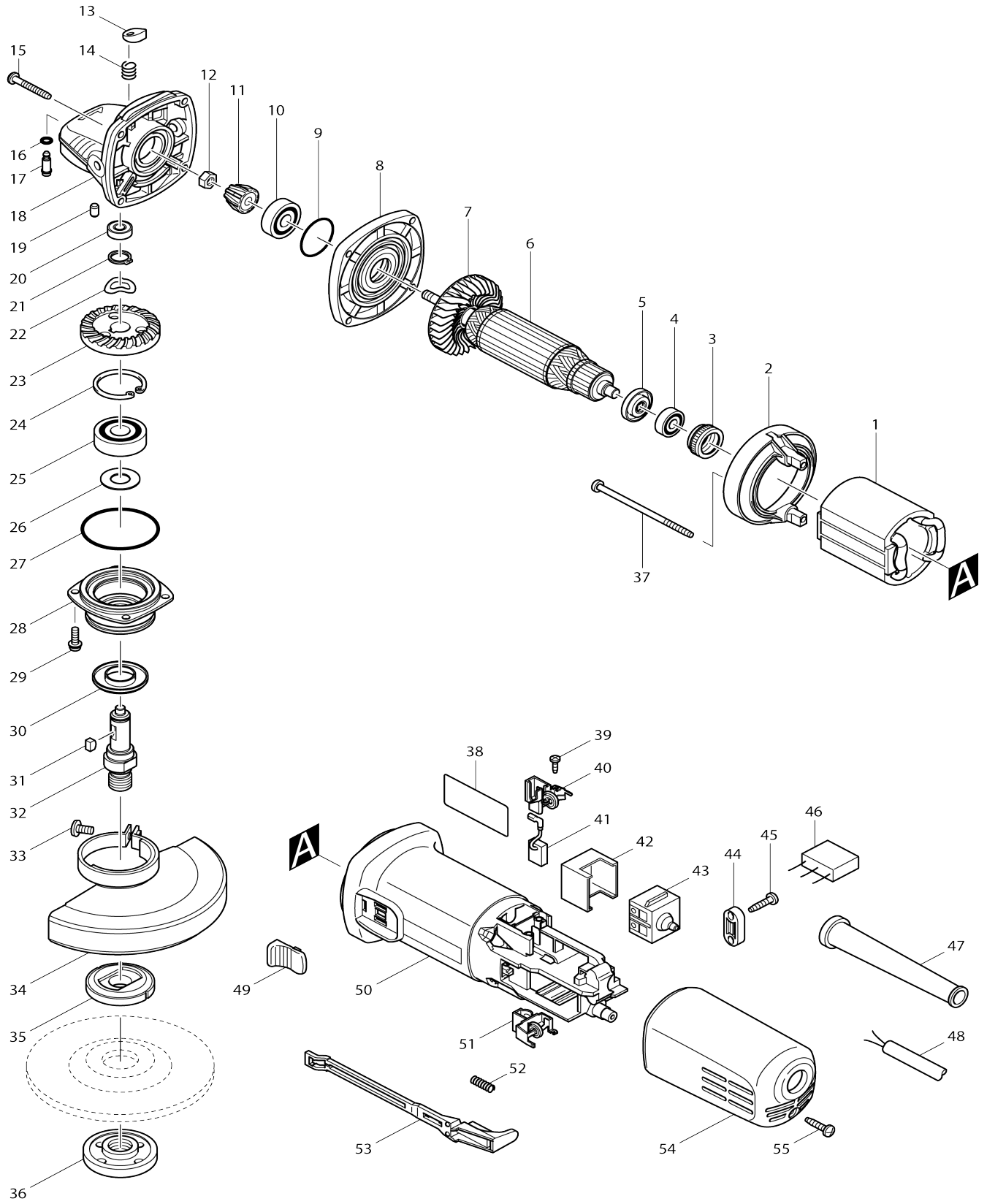


Model No.9557NB 115MM ANGLE GRINDER



Model No.9557NB 115MM ANGLE GRINDER

Item No.	Parts No.	Description	Interchangability	Q'ty	New/Old	Note1	Note2
001	621708-9	FIELD 220-240V		1			
002	418770-1	BAFFLE PLATE		1	*		
002-1	457791-8	BAFFLE PLATE	<	1			
003	421868-5	LABYRINTH RUBBER RING 19		1	*		
003-1	422768-2	LABYRINTH RUBBER RING19	<	1			
004	210034-7	BALL BEARING 607LLB		1			
005	681667-9	RESIN WASHER		1	*		
005-1	681636-0	INSULATION WASHER	O	1			
006	515613-9	ARMATURE ASS'Y 220-240V		1			
D10		INC. 4,5,7					
007	240076-7	FAN 56		1			
008	317821-6	GEAR HOUSING COVER		1			
009	213445-5	O-RING 26		1	*		
009-1	213407-3	O RING 26	O	1			
010	210071-1	BALL BEARING 629LLB		1	*		
010-1	210053-3	BALL BEARING 629LLB	<	1	*		
010-2	210042-8	BALL BEARING 629LLB	O	1			
011	227464-5	SPIRAL BEVEL GEAR 10		1	*		
011-1	227541-3	SPIRAL BEVEL GEAR 10	S	1			
012	252186-8	HEX. NUT M6		1			
013	417771-6	PIN CAP		1			
014	233376-2	COMPRESSION SPRING 8		1			
015	266361-0	TAPPING SCREW 4X30		4	*		
015-1	266050-7	TAPPING SCREW 4X30	O	4	*		
015-2	265B70-0	TAPPING SCREW 4X30	O	4			
016	213960-9	O RING 5		1			
017	256486-8	SHOULDER PIN 4		1			
018	317814-3	GEAR HOUSING		1	*		
018-1	318051-2	GEAR HOUSING	O	1			
019	263002-9	RUBBER PIN 4		1			
020	210033-9	BALL BEARING 696ZZ		1			
021	961052-5	RETAINING RING (EXT) S-12		1			
022	267794-2	WAVE WASHER 12		1			
023	227465-3	SPIRAL BEVEL GEAR 37		1	*		
023-1	227505-7	SPIRAL BEVEL GEAR 37	<	1	*		
023-2	227542-1	SPIRAL BEVEL GEAR 37	S	1			
024	962151-6	RETAINING RING R-32		1			
025	211129-9	BALL BEARING 6201DDW		1			
026	267238-2	FLAT WASHER 12		1			
027	213622-9	O RING 45		1			
028	317819-3	BEARING BOX		1	*		
028-1	318331-6	BEARING BOX	S	1			
029	265099-4	PAN HEAD SCREW M4X14		4			
030	345464-4	LABYRINTH RING		1			
031	254011-9	WOODRUFF KEY 4		1			
032	324489-1	SPINDLE		1	*		
032-1	324489-1	SPINDLE	O	1			

033	265103-9	PAN HEAD SCREW M5X14		1	*		
033-1	265180-1	PAN HEAD SCREW M5X16	<	1			
034	125267-0	WHEEL COVER ASS'Y		1	*		
D10		INC. 33					
034-1	122886-3	WHEEL COVER 115K ASSEMBLY	S	1	*		
C10	213009-5	O RING 4		1	*		
D10		INC. 33					
034-2	123098-1	WHEEL COVER 115AK ASS'Y	<	1			
C10	213009-5	O RING 4		1			
D10		INC. 33					
035	224298-7	INNER FLANGE 42		1	*		
035-1	224415-9	INNER FLANGE 42	<	1			
036	224554-5	LOCK NUT 14-45		1			
037	266345-8	TAPPING SCREW 4X80		2	*		
037-1	266623-6	+BIND TAPPING SCREW 4X80	O	2	*		
037-2	265B68-7	TAPPING SCREW 4X80	O	2			
038	861255-0	NAME PLATE 9557NB		1			
039	266007-8	TAPPING SCREW BIND PT 3X10		4			
040	643760-7	BRUSH HOLDER		1			
041	194074-2	CARBON BRUSH CB-325		1			
042	418729-8	SPACER		1			
043	650560-8	SWITCH DPX-2110-R		1			
044	687124-5	STRAIN RELIEF		1			
045	266326-2	TAPPING SCREW 4X18		2	*		
045-1	265995-6	TAPPING SCREW 4X18	O	2	*		
045-2	265B67-9	TAPPING SCREW 4X18	O	2			
046	645233-6	NOISE SUPPRESSOR		1	*		
046-1	638740-6	CAPACITOR UNIT	S	1	*		
046-2	638740-6	CAPACITOR UNIT	O	1			
047	682559-5	CORD GUARD 8		1			
048	665394-6	POWER SUPPLY CORD 1.0-2-2.5		1			
049	418769-6	SWITCH KNOB		1	*		
049-1	419566-3	SWITCH KNOB	<	1			
050	418725-6	MOTOR HOUSING		1	*		
050-1	418725-6	MOTOR HOUSING	<	1	*		
050-2	451125-7	MOTOR HOUSING	<	1			
051	643760-7	BRUSH HOLDER		1			
052	233121-5	COMPRESSION SPRING 4		1			
053	418728-0	SWITCH LEVER B		1			
054	418726-4	REAR COVER		1	*		
054-1	413A32-8	REAR COVER	<	1			
055	266326-2	TAPPING SCREW 4X18		1	*		
055-1	265995-6	TAPPING SCREW 4X18	O	1	*		
055-2	265B67-9	TAPPING SCREW 4X18	O	1			
056	819329-1	CLEAR LABEL		1	*		
056-1	805W65-3	CLEAR LABEL	O	1	*		
A01	153489-2	GRIP 36 COMPLETE		1			
A02	782421-5	LOCK NUT WRENCH 35		1	*		
A02-1	782423-1	LOCK NUT WRENCH 35	<	1			
F02	192227-7	SUPER FLANGE		1			
A03	182875-0	STEEL CARRYING CASE		1	*		
C10	819033-2	MAKITA LABEL		1	*		

A03-1	183981-4	STEEL CASE SET	<	1	*		
C10	819033-2	MAKITA LABEL		1	*		
A03-2	188627-7	STEEL CASE SET	O	1	*		
A03-3	823256-6	STEEL CASE	S	1			
A04	837230-8	TRAY	S	1			

Please state Parts No. when your order.

Print Date 02/16/2024