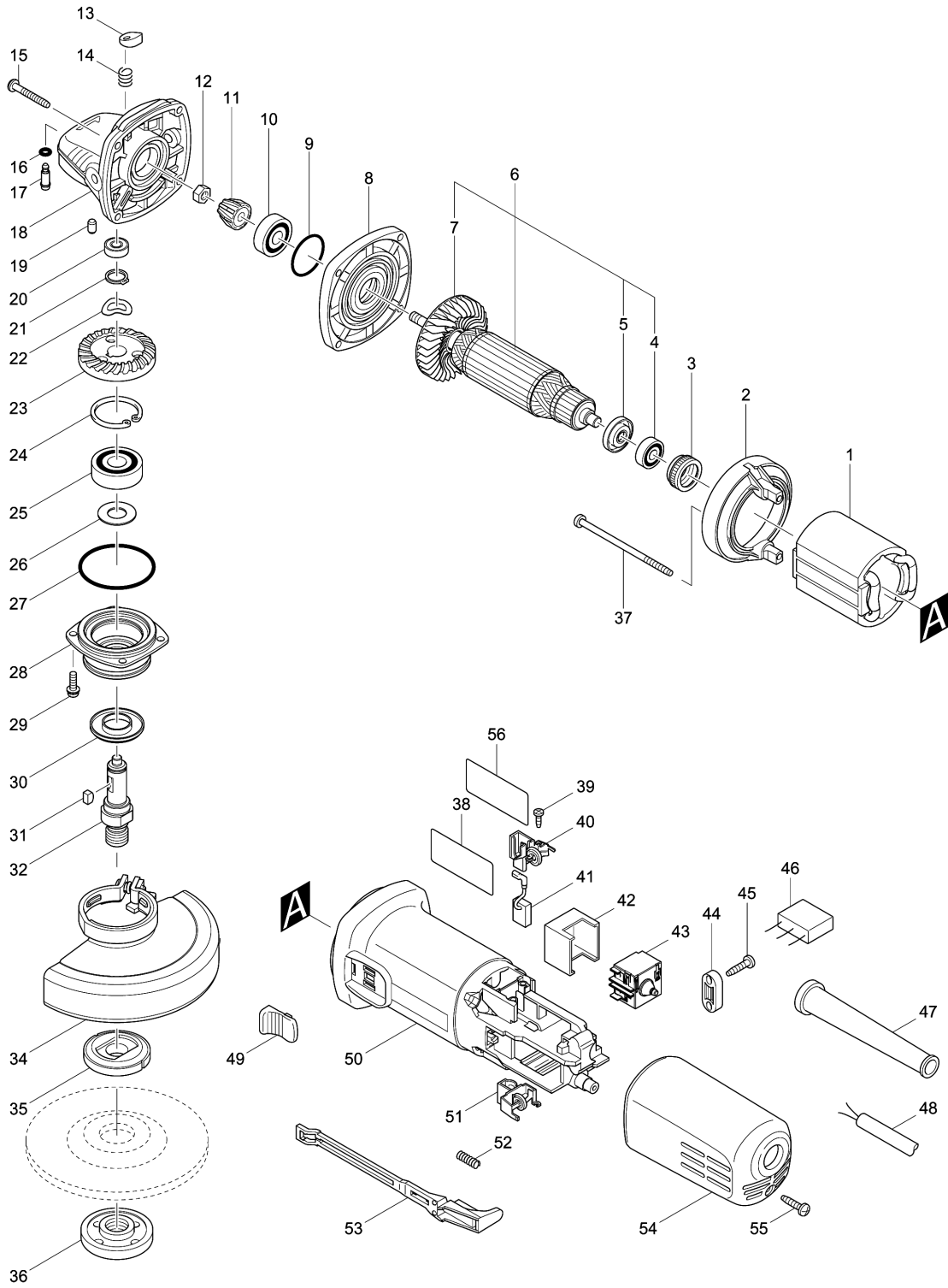


Model No.9557NBR 115MM ANGLE GRINDER



Model No.9557NBR 115MM ANGLE GRINDER

Item	Parts No.	Description	I/C	Qty	New/Old	Opt. 1	Opt. 2	Note
001	621708-9	FIELD 220-240V		1				
002	418770-1	BAFFLE PLATE		1	*			
002-1	457791-8	BAFFLE PLATE	<	1				
003	421868-5	LABYRINTH RUBBER RING 19		1	*			
003-1	422768-2	LABYRINTH RUBBER RING19	<	1				
004	210034-7	BALL BEARING 607LLB		1				
005	681636-0	INSULATION WASHER		1				
006	515613-9	ARMATURE ASS'Y 220-240V		1				
D10		INC. 4,5,7						
007	240076-7	FAN 56		1				
008	317821-6	GEAR HOUSING COVER		1				
009	213445-5	O-RING 26		1	*			
009-1	213407-3	O RING 26	O	1				
010	210042-8	BALL BEARING 629LLB		1				
011	227464-5	SPIRAL BEVEL GEAR 10		1	*			
011-1	227541-3	SPIRAL BEVEL GEAR 10	S	1				
012	252186-8	HEX. NUT M6		1				
013	417771-6	PIN CAP		1				
014	233376-2	COMPRESSION SPRING 8		1				
015	266050-7	TAPPING SCREW 4X30		4	*			
015-1	265B70-0	TAPPING SCREW 4X30	O	4				
016	213960-9	O RING 5		1				
017	256486-8	SHOULDER PIN 4		1				
018	317814-3	GEAR HOUSING		1	*			
018-1	318051-2	GEAR HOUSING	O	1				
019	263002-9	RUBBER PIN 4		1				
020	210033-9	BALL BEARING 696ZZ		1				
021	961052-5	RETAINING RING (EXT) S-12		1				
022	267794-2	WAVE WASHER 12		1				
023	227505-7	SPIRAL BEVEL GEAR 37		1	*			
023-1	227542-1	SPIRAL BEVEL GEAR 37	S	1				
024	962151-6	RETAINING RING R-32		1				
025	211129-9	BALL BEARING 6201DDW		1				
026	267238-2	FLAT WASHER 12		1				
027	213622-9	O RING 45		1				
028	318331-6	BEARING BOX		1				
029	265099-4	PAN HEAD SCREW M4X14		4				
030	345464-4	LABYRINTH RING		1				
031	254011-9	WOODRUFF KEY 4		1				
032	324489-1	SPINDLE		1				
034	123098-1	WHEEL COVER 115AK ASS'Y		1				
C10	213009-5	O RING 4		1				
C20	265180-1	PAN HEAD SCREW M5X16		1				
035	224415-9	INNER FLANGE 42		1				
036	224554-5	LOCK NUT 14-45		1				

Please order the parts with part number.

Print Date 24/10/2023

Model No.9557NBR 115MM ANGLE GRINDER

Item	Parts No.	Description	I/C	Qty	New/Old	Opt. 1	Opt. 2	Note
037	266623-6	+BIND TAPPING SCREW 4X80		2	*			
037-1	265B68-7	TAPPING SCREW 4X80	O	2				
038	851S96-6	9557NBR NAME PLATE		1				
039	266007-8	TAPPING SCREW BIND PT 3X10		4				
040	643760-7	BRUSH HOLDER		1				
041	194074-2	CARBON BRUSH CB-325		1				
042	418729-8	SPACER		1				
043	650769-2	SWITCH		1				
044	687124-5	STRAIN RELIEF		1				
045	265995-6	TAPPING SCREW 4X18		2	*			
045-1	265B67-9	TAPPING SCREW 4X18	O	2				
046	638740-6	CAPACITOR UNIT		1	*			
046-1	638740-6	CAPACITOR UNIT	O	1				
047	682559-5	CORD GUARD 8		1				
048	665394-6	POWER SUPPLY CORD 1.0-2-2.5		1				
049	419566-3	SWITCH KNOB		1				
050	451125-7	MOTOR HOUSING		1				
051	643760-7	BRUSH HOLDER		1				
052	233121-5	COMPRESSION SPRING 4		1				
053	418728-0	SWITCH LEVER B		1				
054	418726-4	REAR COVER		1	*			
054-1	413A32-8	REAR COVER	<	1				
055	265995-6	TAPPING SCREW 4X18		1	*			
055-1	265B67-9	TAPPING SCREW 4X18	O	1				
056	805W65-3	CLEAR LABEL		1	*			
A01	153489-2	GRIP 36 COMPLETE		1				
A02	782423-1	LOCK NUT WRENCH 35		1				
F02	194514-0	VIBRATION PROOF GRIP SET		1				
F04-1	195239-9	115/125MM DUST COVER K SET	<	1	*			
F15	192227-7	SUPER FLANGE		1				
F26	191W06-8	115/125MM DUST COVER K SET		1				
C10	743129-6	BRUSH A		1				
C20	743130-1	BRUSH B		1				

Please order the parts with part number.

Print Date 24/10/2023