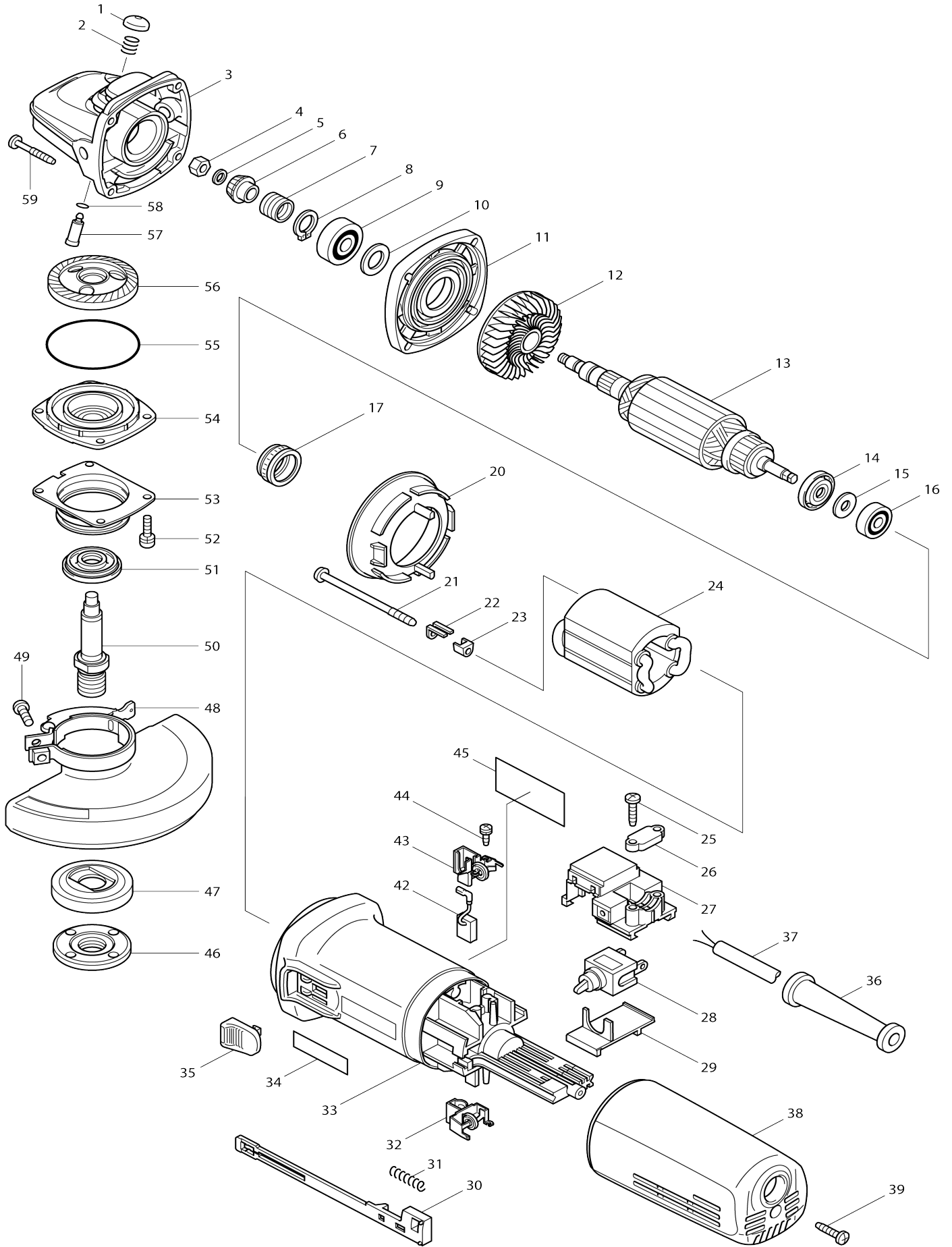


Model No.9565 125MM ANGLE GRINDER



Model No.9565 125MM ANGLE GRINDER

| Item No. | Parts No. | Description | Interchangeability | Q'ty | New/Old | Note1 | Note2 |
|----------|-----------|---------------------------|--------------------|------|---------|-------|-------|
| 001 | 417236-8 | PIN CAP | | 1 | * | | |
| 001-1 | 418067-8 | PIN CAP | S | 1 | | | |
| 002 | 233072-2 | COMPRESSION SPRING 8 | | 1 | | | |
| 003 | 151991-9 | GEAR HOUSING COMPLETE | | 1 | * | | |
| 003-1 | 153381-2 | GEAR HOUSING COMPLETE | < | 1 | * | | |
| 003-2 | 153718-3 | GEAR HOUSING COMPLETE | O | 1 | * | | |
| 003-3 | 153488-4 | GEAR HOUSING COMPLETE | S | 1 | | | |
| 004 | 931303-0 | HEX. NUT M6 | | 1 | | | |
| 005 | 253077-6 | FLAT WASHER 6 | | 1 | | | |
| 006 | 226794-1 | SPIRAL BEVEL GEAR 11 | | 1 | | | |
| 007 | 233901-9 | LOCK SPRING 12 | | 1 | | | |
| 008 | 961052-5 | RETAINING RING (EXT) S-12 | | 1 | | | |
| 009 | 211142-7 | BALL BEARING 6001LLB | | 1 | | | |
| 010 | 253084-9 | FLAT WASHER 12 | | 1 | | | |
| 011 | 317359-1 | GEAR HOUSING COVER | | 1 | | | |
| 012 | 240033-5 | FAN 57 | | 1 | | | |
| 013 | 515179-9 | ARMATURE ASS'Y 230-240V | | 1 | * | | |
| D10 | | INC. 12,14-16 | | | | | |
| 013-1 | 515234-7 | ARMATURE ASS'Y 240V | O | 1 | | | |
| D10 | | INC. 12,14-16 | | | | | |
| 014 | 681656-4 | INSULATION WASHER | | 1 | | | |
| 015 | 253823-7 | FLAT WASHER 7 | | 1 | | | |
| 016 | 210027-4 | BALL BEARING 627DDW | | 1 | | | |
| 017 | 421738-8 | LABYRINTH RUBBER RING 22 | | 1 | * | | |
| 017-1 | 422750-1 | LABYRINTH RUBBER RING 22 | < | 1 | | | |
| 020 | 413076-2 | BAFFLE PLATE | | 1 | | | |
| 021 | 266258-3 | TAPPING SCREW 4X70 | | 2 | | | |
| 022 | 344871-8 | RETAINER | | 2 | | | |
| 023 | 417237-6 | INSULATION COVER | | 2 | * | | |
| 024 | 626509-0 | FIELD 240V | | 1 | * | | |
| 024-1 | 626564-2 | FIELD 230-240V | O | 1 | * | | |
| 024-2 | 621C09-3 | FIELD 230-240V | S | 1 | | | |
| 025 | 265995-6 | TAPPING SCREW 4X18 | | 2 | | | |
| 026A_ | 687052-4 | STRAIN RELIEF | | 1 | | | |
| 027 | 632945-0 | SWITCH BLOCK | | 1 | | | |
| 028 | 651418-4 | SWITCH ST115A-40 | | 1 | * | | |
| 028-1 | 651418-4 | SWITCH ST115A-40 | O | 1 | | | |
| 029 | 687113-0 | COVER | | 1 | | | |
| 030 | 417186-7 | SWITCH LEVER | | 1 | | | |
| 031 | 233071-4 | COMPRESSION SPRING 4 | | 1 | | | |
| 032A1 | 638021-8 | EMC UNIT | | 1 | | | |
| 033 | 417182-5 | MOTOR HOUSING | | 1 | * | | |
| 033-1 | 183407-6 | MOTOR HOUSING | S | 1 | * | | |
| D10 | | INC. 34 | | | | | |
| 033-2 | 183740-6 | MOTOR HOUSING | O | 1 | * | | |
| D10 | | INC. 34 | | | | | |
| 033-3 | 418512-3 | MOTOR HOUSING | < | 1 | | | |

| | | | | | | | |
|-------|----------|---------------------------------|---|---|---|--|--|
| 034 | 819080-3 | MAKITA LABEL | | 1 | * | | |
| 035 | 417188-3 | SWITCH KNOB | | 1 | * | | |
| 035-1 | 417813-6 | SWITCH KNOB | < | 1 | | | |
| 036 | 682559-5 | CORD GUARD 8 | | 1 | | | |
| 037D_ | 665394-6 | POWER SUPPLY CORD 1.0-2-2.5 | | 1 | | | |
| 038 | 417183-3 | REAR COVER | | 1 | | | |
| 039 | 265995-6 | TAPPING SCREW 4X18 | | 1 | | | |
| 042 | 191974-7 | A.C. CARBON BRUSH CB-310 | | 1 | * | | |
| 042-1 | 191978-9 | A.C. CARBON BRUSH CB-318 | X | 1 | | | |
| 043-2 | 643760-7 | BRUSH HOLDER | | 1 | | | |
| 044 | 266256-7 | TAPPING SCREW PT3X10 | | 4 | | | |
| 045 | 852393-9 | NAME PLATE 9565 | | 1 | | | |
| 046 | 224554-5 | LOCK NUT 14-45 | | 1 | | | |
| 047 | 224298-7 | INNER FLANGE 42 | | 1 | * | | |
| 047-1 | 224415-9 | INNER FLANGE 42 | < | 1 | | | |
| 048 | 163415-3 | WHEEL COVER | | 1 | * | | |
| 048-1 | 163415-3 | WHEEL COVER | O | 1 | * | | |
| 048-2 | 135108-2 | TOOLLESS WHEEL COVER 125 AS S'Y | < | 1 | | | |
| D10 | | INC. 49 | | | | | |
| 049 | 251391-4 | PAN HEAD SCREW M5X16 | | 1 | | | |
| 050 | 324035-0 | SPINDLE | | 1 | * | | |
| 050-1 | 324035-0 | SPINDLE | O | 1 | | | |
| 051 | 415300-9 | LABYRINTH RING | | 1 | | | |
| 052 | 266260-6 | HEX. SOCKET HEAD BOLT M4X16 | | 4 | * | | |
| 052-1 | 265490-6 | HEX. SOCKET HEAD BOLT M4X16 | < | 4 | | | |
| 053 | 344872-6 | WHEEL COVER BASE | | 1 | * | | |
| 054 | 151927-8 | BEARING BOX COMPLETE | | 1 | * | | |
| 054-1 | 317570-5 | BEARING BOX | S | 1 | * | | |
| 054-2 | 318302-3 | BEARING BOX | < | 1 | | | |
| 055 | 213673-2 | O RING 52 | | 1 | | | |
| 056 | 226795-9 | SPIRAL BEVEL GEAR 38 | | 1 | * | | |
| 056-1 | 227427-1 | SPIRAL BEVEL GEAR 38 | O | 1 | | | |
| 057 | 256459-1 | PIN | | 1 | | | |
| 058 | 213048-5 | O RING 6 | | 1 | | | |
| 059 | 266257-5 | TAPPING SCREW 4X28 | | 4 | | | |
| 063 | 285841-7 | BEARING RETAINER | | 1 | | | |
| 064 | 211129-9 | BALL BEARING 6201DDW | | 1 | | | |
| A01 | 152490-4 | GRIP 36 COMPLETE | | 1 | | | |
| A02 | A-83674 | DEPRESSED CENTER WHEEL 125 MM | | 1 | * | | |
| A02-1 | D-18465 | GRINDING WHEEL 125X6 A24R | | 1 | | | |
| A03 | 782407-9 | LOCK NUT WRENCH 35 | | 1 | | | |
| E03-1 | 687117-2 | SUPPORT | | 1 | | | |
| F03 | 192227-7 | SUPER FLANGE | | 1 | | | |
| 048 | 125097-9 | WHEEL COVER ASS'Y | | 1 | | | |
| D10 | | INC. 49 | | | | | |

Please state Parts No. when your order.

Print Date 10/24/2023