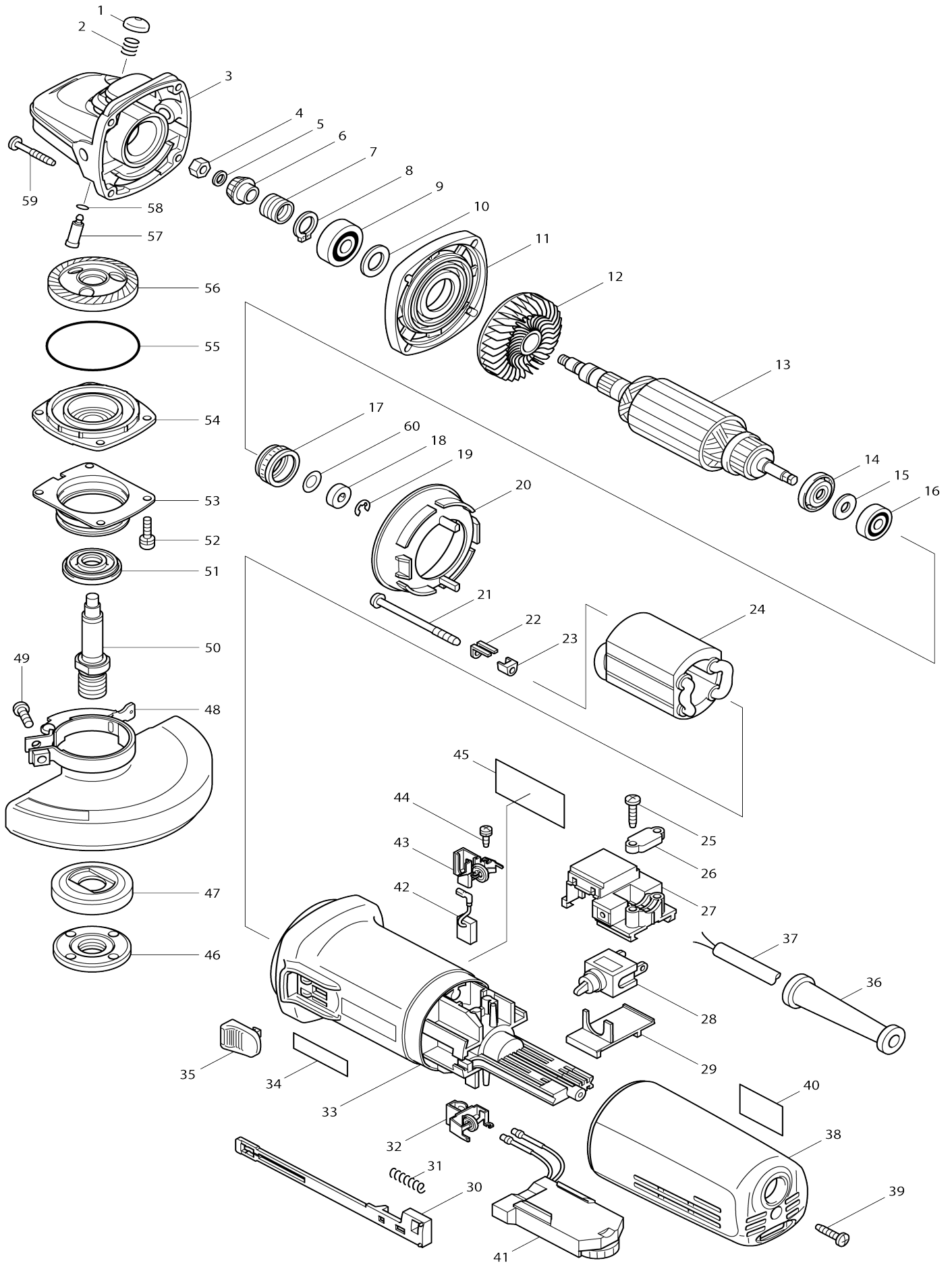


Model No.9565CV 125MM ANGLE GRINDER



Model No.9565CV 125MM ANGLE GRINDER

Item No.	Parts No.	Description	Interchangability	Q'ty	New/Old	Note1	Note2
001	417236-8	PIN CAP		1	*		
001-1	418067-8	PIN CAP	S	1			
002	233072-2	COMPRESSION SPRING 8		1			
003	151991-9	GEAR HOUSING COMPLETE		1	*		
003-1	153381-2	GEAR HOUSING COMPLETE	<	1	*		
003-2	153718-3	GEAR HOUSING COMPLETE	O	1	*		
003-3	153488-4	GEAR HOUSING COMPLETE	S	1			
004	931303-0	HEX. NUT M6		1			
005	253077-6	FLAT WASHER 6		1			
006	226794-1	SPIRAL BEVEL GEAR 11		1	*		
006-1	227513-8	SPIRAL BEVEL GEAR 11	S	1			
007	233901-9	LOCK SPRING 12		1			
008	961052-5	RETAINING RING (EXT) S-12		1			
009	211142-7	BALL BEARING 6001LLB		1			
010	253084-9	FLAT WASHER 12		1			
011	317359-1	GEAR HOUSING COVER		1			
012	240033-5	FAN 57		1			
013	515168-4	ARMATURE ASS'Y 220-240V		1	*		
D10		INC. 12,14-16					
013-1	515228-2	ARMATURE ASS'Y 220-240V	S	1			
D10		INC. 12,14-16					
014	681656-4	INSULATION WASHER		1	*		
014-1	681656-4	INSULATION WASHER	O	1			
015	253823-7	FLAT WASHER 7		1			
016	210027-4	BALL BEARING 627DDW		1			
017	421738-8	LABYRINTH RUBBER RING 22		1	*		
017-1	422750-1	LABYRINTH RUBBER RING 22	<	1			
018	688117-5	MAGNET SLEEVE		1			
019	961011-9	STOP RING E-4		1	*		
019-1	259039-2	SELF LOCK 6	S	1			
020	413076-2	BAFFLE PLATE		1			
021	266258-3	TAPPING SCREW 4X70		2			
022	344871-8	RETAINER		2			
023	417237-6	INSULATION COVER		2	*		
024	626503-2	FIELD 220-240V		1	*		
024-1	621C19-0	FIELD 220-240V	S	1			
025	265995-6	TAPPING SCREW 4X18		2			
026A_	687052-4	STRAIN RELIEF		1	*		
026A1	687124-5	STRAIN RELIEF	O	1			
027	632945-0	SWITCH BLOCK		1	*		
027-1	632945-0	SWITCH BLOCK	O	1			
028	651418-4	SWITCH ST115A-40		1	*		
028-1	651418-4	SWITCH ST115A-40	O	1			
029	687113-0	COVER		1			
030	417186-7	SWITCH LEVER		1			
031	233071-4	COMPRESSION SPRING 4		1			
032-1	643760-7	BRUSH HOLDER		1			

033	417182-5	MOTOR HOUSING		1	*		
033-1	183407-6	MOTOR HOUSING	S	1	*		
D10		INC. 34					
033-2	183740-6	MOTOR HOUSING	O	1	*		
D10		INC. 34					
033-3	418512-3	MOTOR HOUSING	<	1	*		
033-4	451278-2	MOTOR HOUSING	<	1	*		
033-5	453276-2	MOTOR HOUSING	<	1			
034	819080-3	MAKITA LABEL		1	*		
035	417188-3	SWITCH KNOB		1	*		
035-1	417813-6	SWITCH KNOB	<	1			
036	682559-5	CORD GUARD 8		1			
037D_	665394-6	POWER SUPPLY CORD 1.0-2-2.5		1			
038	417185-9	REAR COVER		1			
039	265995-6	TAPPING SCREW 4X18		1			
040	816796-1	INDICATION LABEL		1	*		
040-1	816504-0	OPERATIONAL INDICATION LABEL	X	1			
041	631384-1	CONTROLLER		1			
042	191974-7	A.C. CARBON BRUSH CB-310		1	*		
042-1	191978-9	A.C. CARBON BRUSH CB-318	X	1			
043-1	643760-7	BRUSH HOLDER		1			
044	266256-7	TAPPING SCREW PT3X10		4			
045	852401-6	NAME PLATE 9565CV		1			
046	224554-5	LOCK NUT 14-45		1			
047	224298-7	INNER FLANGE 42		1	*		
047-1	224415-9	INNER FLANGE 42	<	1			
048	163415-3	WHEEL COVER		1	*		
048-1	163415-3	WHEEL COVER	O	1	*		
048-2	135108-2	TOOLLESS WHEEL COVER 125 ASSY	<	1	*		
D10		INC. 49					
048-3	122895-2	TOOLLESS WHEEL COVER 125K ASSY	S	1	*		
C10	213009-5	O RING 4		1	*		
D10		INC. 49					
048-4	123145-8	TOOLLESS WHEELCOVER 125K ASSY	<	1			
C10	213009-5	O RING 4		1			
D10		INC. 49					
049	251391-4	PAN HEAD SCREW M5X16		1	*		
049-1	265180-1	PAN HEAD SCREW M5X16	<	1			
050	324035-0	SPINDLE		1	*		
050-1	324035-0	SPINDLE	O	1			
051	415300-9	LABYRINTH RING		1			
052	266260-6	HEX. SOCKET HEAD BOLT M4X16		4	*		
052-1	265490-6	HEX. SOCKET HEAD BOLT M4X16	<	4			
053	344872-6	WHEEL COVER BASE		1	*		
054	151927-8	BEARING BOX COMPLETE		1	*		
054-1	317570-5	BEARING BOX	S	1	*		
054-2	318302-3	BEARING BOX	<	1	*		
054-3	318334-0	BEARING BOX	S	1			
055	213673-2	O RING 52		1			

056	226795-9	SPIRAL BEVEL GEAR 38		1	*		
056-1	227514-6	SPIRAL BEVEL GEAR 38	S	1			
057	256459-1	PIN		1			
058	213048-5	O RING 6		1			
059	266257-5	TAPPING SCREW 4X28		4			
060	267756-0	WAVE WASHER 6		1			
063	285841-7	BEARING RETAINER		1			
064	211129-9	BALL BEARING 6201DDW		1			
065	819329-1	CLEAR LABEL		1	*		
065-1	805W65-3	CLEAR LABEL	O	1	*		
A01	152490-4	GRIP 36 COMPLETE		1	*		
A01-1	153489-2	GRIP 36 COMPLETE	O	1	*		
A01-2	162258-0	VIBRATION PROOF GRIP	O	1	*		
A01-3	153489-2	GRIP 36 COMPLETE	O	1			
A02	A-83674	DEPRESSED CENTER WHEEL 125 MM		1	*		
A02-1	D-18465	GRINDING WHEEL 125X6 A24R		1			
A03	782407-9	LOCK NUT WRENCH 35		1	*		
A03-1	782423-1	LOCK NUT WRENCH 35	O	1			
F03	192227-7	SUPER FLANGE		1			
F39	191W06-8	115/125MM DUST COVER K SET		1			
C10	743129-6	BRUSH A		1			
C20	743130-1	BRUSH B		1			
A01	162258-0	VIBRATION PROOF GRIP		1			

Please state Parts No. when your order.

Print Date 10/09/2023