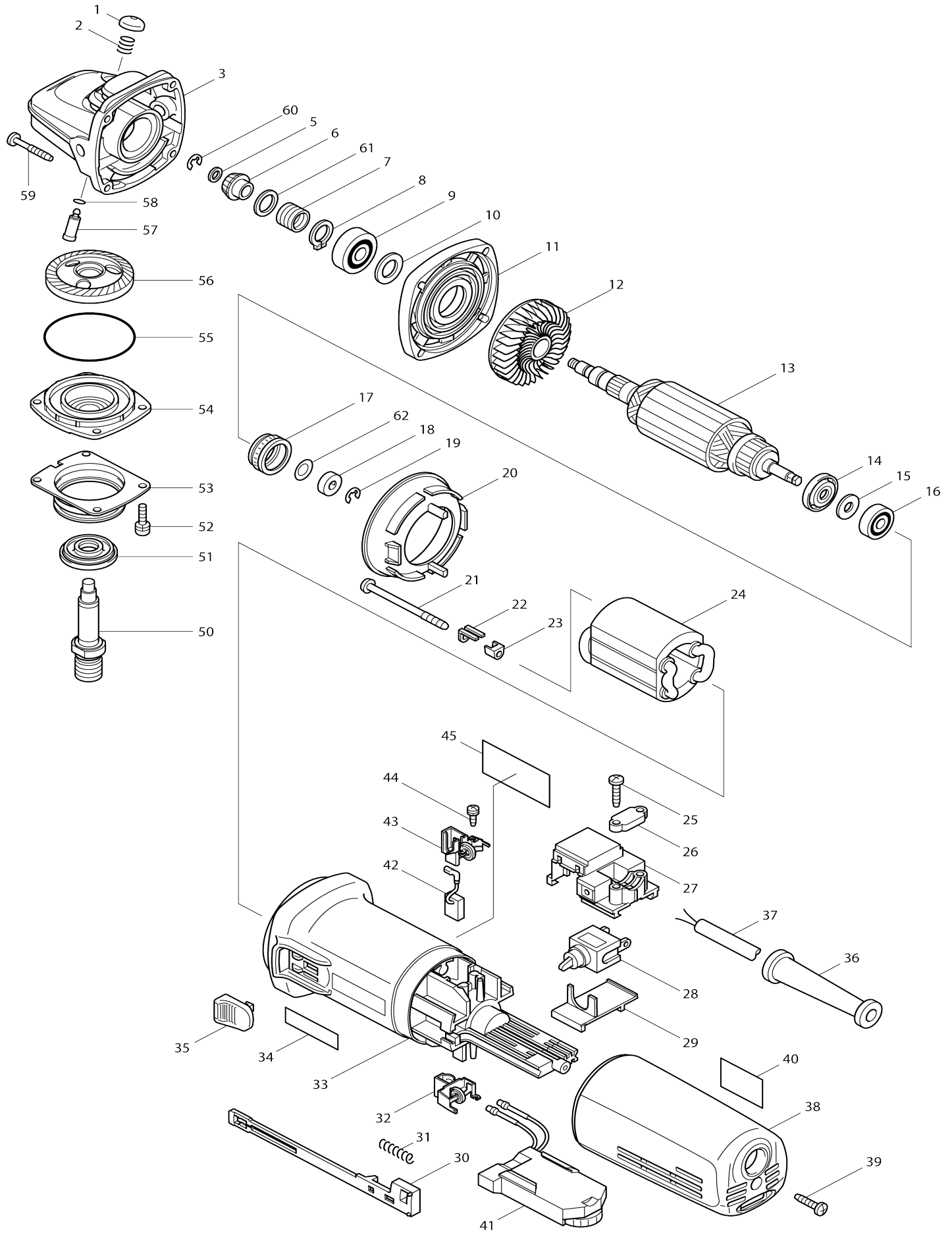


Model No.9565CVL 125MM ANGLE GRINDER



Model No.9565CVL 125MM ANGLE GRINDER

Item No.	Parts No.	Description	Interchangability	Q'ty	New/Old	Note1	Note2
001	417236-8	PIN CAP		1	*		
001-1	418067-8	PIN CAP	S	1			
002	233072-2	COMPRESSION SPRING 8		1			
003	151991-9	GEAR HOUSING COMPLETE		1	*		
003-1	153381-2	GEAR HOUSING COMPLETE	<	1	*		
003-2	153718-3	GEAR HOUSING COMPLETE	O	1	*		
003-3	153488-4	GEAR HOUSING COMPLETE	S	1			
005	267034-8	FLAT WASHER 5		1			
006	226796-7	SPIRAL BEVEL GEAR 7		1			
007	233901-9	LOCK SPRING 12		1			
008	961052-5	RETAINING RING (EXT) S-12		1			
009	211142-7	BALL BEARING 6001LLB		1			
010	253084-9	FLAT WASHER 12		1			
011	317359-1	GEAR HOUSING COVER		1			
012	240033-5	FAN 57		1			
013	515173-1	ARMATURE ASS'Y 220-240V		1	*		
D10		INC. 12,14-16					
013-1	515238-9	ARMATURE ASS'Y 220-240V	S	1			
D10		INC. 12,14-16					
014	681656-4	INSULATION WASHER		1	*		
014-1	681656-4	INSULATION WASHER	O	1			
015	253823-7	FLAT WASHER 7		1			
016	210027-4	BALL BEARING 627DDW		1			
017	421738-8	LABYRINTH RUBBER RING 22		1	*		
017-1	422750-1	LABYRINTH RUBBER RING 22	<	1			
018	688117-5	MAGNET SLEEVE		1			
019	961011-9	STOP RING E-4		1	*		
019-1	259039-2	SELF LOCK 6	S	1			
020	413076-2	BAFFLE PLATE		1			
021	266258-3	TAPPING SCREW 4X70		2			
022	344871-8	RETAINER		2			
023	417237-6	INSULATION COVER		2	*		
024	626503-2	FIELD 220-240V		1	*		
024-1	621C19-0	FIELD 220-240V	S	1			
025	265995-6	TAPPING SCREW 4X18		2			
026A_	687052-4	STRAIN RELIEF		1	*		
026A1	687124-5	STRAIN RELIEF	O	1			
027	632945-0	SWITCH BLOCK		1	*		
027-1	632945-0	SWITCH BLOCK	O	1			
028	651418-4	SWITCH ST115A-40		1	*		
028-1	651418-4	SWITCH ST115A-40	O	1			
029	687113-0	COVER		1			
030	417186-7	SWITCH LEVER		1			
031	233071-4	COMPRESSION SPRING 4		1			
032-1	643760-7	BRUSH HOLDER		1			
033	417182-5	MOTOR HOUSING		1	*		
033-1	183407-6	MOTOR HOUSING	S	1	*		

D10		INC. 34				
033-2	183740-6	MOTOR HOUSING	O	1	*	
D10		INC. 34				
033-3	418512-3	MOTOR HOUSING	<	1	*	
033-4	451278-2	MOTOR HOUSING	<	1	*	
033-5	453276-2	MOTOR HOUSING	<	1		
034	819080-3	MAKITA LABEL		1	*	
035	417188-3	SWITCH KNOB		1	*	
035-1	417813-6	SWITCH KNOB	<	1		
036	682559-5	CORD GUARD 8		1		
037D_	665394-6	POWER SUPPLY CORD 1.0-2-2.5		1		
038	417185-9	REAR COVER		1		
039	265995-6	TAPPING SCREW 4X18		1		
040	816799-5	INDICATION LABEL		1	*	
040-1	816505-8	INDICATION LABEL	X	1		
041	631384-1	CONTROLLER		1		
042	191974-7	A.C. CARBON BRUSH CB-310		1	*	
042-1	191978-9	A.C. CARBON BRUSH CB-318	X	1		
043-1	643760-7	BRUSH HOLDER		1		
044	266256-7	TAPPING SCREW PT3X10		4		
045	852405-8	NAME PLATE 9565CVL		1	*	
045-1	864371-7	9565CVL NAME PLATE	<	1	*	
045-2	864371-7	9565CVL NAME PLATE	<	1		
050	324035-0	SPINDLE		1	*	
050-1	324035-0	SPINDLE	O	1		
051	415300-9	LABYRINTH RING		1		
052	266260-6	HEX. SOCKET HEAD BOLT M4X16		4	*	
052-1	265490-6	HEX. SOCKET HEAD BOLT M4X16	<	4		
053	344872-6	WHEEL COVER BASE		1	*	
054	151927-8	BEARING BOX COMPLETE		1	*	
054-1	317570-5	BEARING BOX	S	1	*	
054-2	318302-3	BEARING BOX	<	1	*	
054-3	318334-0	BEARING BOX	S	1		
055	213673-2	O RING 52		1		
056	226797-5	SPIRAL BEVEL GEAR 37		1		
057	256459-1	PIN		1		
058	213048-5	O RING 6		1		
059	266257-5	TAPPING SCREW 4X28		4		
060-1	961008-8	RETAINING RING S-5		1		
061	253052-2	FLAT WASHER 12		1		
062	267756-0	WAVE WASHER 6		1		
063	285841-7	BEARING RETAINER		1		
064	211129-9	BALL BEARING 6201DDW		1		
065	819329-1	CLEAR LABEL		1	*	
065-1	805W65-3	CLEAR LABEL	O	1	*	
A01	152490-4	GRIP 36 COMPLETE		1	*	
A01-1	153489-2	GRIP 36 COMPLETE	O	1		
A02	165055-3	WHEEL COVER		1	*	
A02-1	122887-1	WHEEL COVER 125K ASSY	S	1	*	
C10	213009-5	O RING 4		1	*	
C20	265180-1	PAN HEAD SCREW M5X16		1	*	
A02-2	123099-9	WHEEL COVER 125AK ASSEMBLY	<	1		

C10	213009-5	O RING 4		1		
C20	265180-1	PAN HEAD SCREW M5X16		1		
A03	224298-7	INNER FLANGE 42		1	*	
A03-1	224415-9	INNER FLANGE 42	<	1		
A04	224554-5	LOCK NUT 14-45		1		
A05	251391-4	PAN HEAD SCREW M5X16		1	*	
A06	265083-9	+ FLAT HEAD SCREW M8X11		2		
A07	417322-5	HEAD COVER		1	*	
A07-1	417322-5	HEAD COVER	<	1		
A08	782407-9	LOCK NUT WRENCH 35		1	*	
A08-1	782423-1	LOCK NUT WRENCH 35	O	1		
A09	743060-6	PAD 115		1	*	
A09-1	743060-6	PAD 115	O	1		
A10	794599-2	ABRASIVE DISC 125 #60		1	*	
F03	192227-7	SUPER FLANGE		1		
F39	191W06-8	115/125MM DUST COVER K SET		1		
C10	743129-6	BRUSH A		1		
C20	743130-1	BRUSH B		1		

Please state Parts No. when your order.

Print Date 10/10/2023