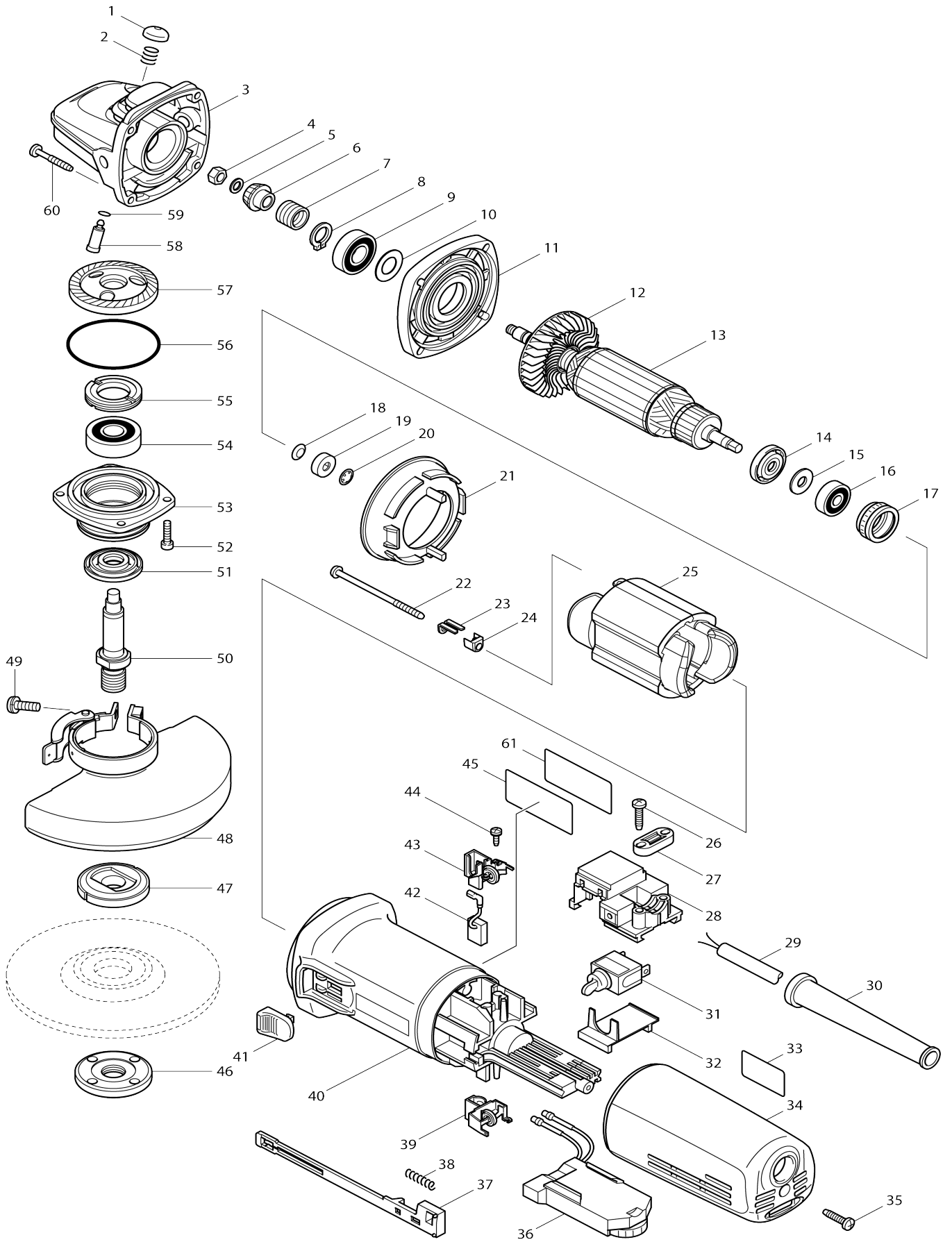


# Model No.9565CVR 125MM ANGLE GRINDER



Model No.9565CVR 125MM ANGLE GRINDER

Item No.	Parts No.	Description	Interchangability	Q'ty	New/Old	Note1	Note2
001	418067-8	PIN CAP		1			
002	233072-2	COMPRESSION SPRING 8		1			
003	153488-4	GEAR HOUSING COMPLETE		1			
004	931303-0	HEX. NUT M6		1			
005	253077-6	FLAT WASHER 6		1			
006	226794-1	SPIRAL BEVEL GEAR 11		1	*		
006-1	227513-8	SPIRAL BEVEL GEAR 11	S	1			
007	233901-9	LOCK SPRING 12		1			
008	961052-5	RETAINING RING (EXT) S-12		1			
009	211142-7	BALL BEARING 6001LLB		1			
010	253084-9	FLAT WASHER 12		1			
011	317359-1	GEAR HOUSING COVER		1			
012	240033-5	FAN 57		1			
013	515228-2	ARMATURE ASS'Y 220-240V		1			
D10		INC. 12,14-16					
014	681656-4	INSULATION WASHER		1	*		
014-1	681656-4	INSULATION WASHER	O	1			
015	253823-7	FLAT WASHER 7		1			
016	210027-4	BALL BEARING 627DDW		1			
017	421738-8	LABYRINTH RUBBER RING 22		1	*		
017-1	422750-1	LABYRINTH RUBBER RING 22	<	1			
018	267756-0	WAVE WASHER 6		1			
019	688117-5	MAGNET SLEEVE		1			
020	259039-2	SELF LOCK 6		1			
021	413076-2	BAFFLE PLATE		1			
022	266258-3	TAPPING SCREW 4X70		2			
023	344871-8	RETAINER		2			
024	417237-6	INSULATION COVER		2	*		
025	626503-2	FIELD 220-240V		1	*		
025-1	621C19-0	FIELD 220-240V	S	1			
026	265995-6	TAPPING SCREW 4X18		2			
027	687052-4	STRAIN RELIEF		1	*		
027-1	687124-5	STRAIN RELIEF	O	1			
028	638635-3	SWITCH BLOCK		1			
029	665394-6	POWER SUPPLY CORD 1.0-2-2.5		1			
030	682559-5	CORD GUARD 8		1			
031	651418-4	SWITCH ST115A-40		1	*		
031-1	651418-4	SWITCH ST115A-40	O	1			
032	687113-0	COVER		1			
033	816796-1	INDICATION LABEL		1	*		
033-1	816504-0	OPERATIONAL INDICATION LABEL	X	1			
034	417185-9	REAR COVER		1			
035	265995-6	TAPPING SCREW 4X18		1			
036	631847-7	CONTROLLER		1	*		
036-1	620G38-7	CONTROLLER	<	1			
037	417186-7	SWITCH LEVER		1			
038	233071-4	COMPRESSION SPRING 4		1			

039	643760-7	BRUSH HOLDER		1			
040	418512-3	MOTOR HOUSING		1	*		
040-1	451278-2	MOTOR HOUSING	<	1	*		
040-2	453276-2	MOTOR HOUSING	<	1			
041	417813-6	SWITCH KNOB		1			
042	191978-9	A.C. CARBON BRUSH CB-318		1			
043	643760-7	BRUSH HOLDER		1			
044	266256-7	TAPPING SCREW PT3X10		4			
045	866168-0	9565CVR NAME PLATE		1			
046	224554-5	LOCK NUT 14-45		1			
047	224415-9	INNER FLANGE 42		1			
048	135108-2	TOOLLESS WHEEL COVER 125 AS S'Y		1	*		
D10		INC. 49					
048-1	122895-2	TOOLLESS WHEEL COVER 125K ASSY	S	1	*		
C10	213009-5	O RING 4		1	*		
D10		INC. 49					
048-2	123145-8	TOOLLESS WHEELCOVER 125AK ASSY	<	1	*		
C10	213009-5	O RING 4		1	*		
D10		INC. 49					
048-3	141P36-7	TOOLLESS WHEEL COVER 125AK CMP	<	1			
C10	213009-5	O RING 4		1			
C20	8050A1-8	CAUTION LABEL		1			
D10		INC. 49					
049	251391-4	PAN HEAD SCREW M5X16		1	*		
049-1	265180-1	PAN HEAD SCREW M5X16	<	1			
050	324035-0	SPINDLE		1			
051	415300-9	LABYRINTH RING		1			
052	265490-6	HEX. SOCKET HEAD BOLT M4X16		4			
053	318302-3	BEARING BOX		1	*		
053-1	318334-0	BEARING BOX	S	1			
054	211129-9	BALL BEARING 6201DDW		1			
055	285841-7	BEARING RETAINER		1			
056	213673-2	O RING 52		1			
057	226795-9	SPIRAL BEVEL GEAR 38		1	*		
057-1	227514-6	SPIRAL BEVEL GEAR 38	S	1			
058	256459-1	PIN		1			
059	213048-5	O RING 6		1			
060	266257-5	TAPPING SCREW 4X28		4			
061	819329-1	CLEAR LABEL		1	*		
061-1	805W65-3	CLEAR LABEL	O	1	*		
A01	153489-2	GRIP 36 COMPLETE		1	*		
A01-1	162258-0	VIBRATION PROOF GRIP	O	1			
A02	D-18465	GRINDING WHEEL 125X6 A24R		1			
A03	782423-1	LOCK NUT WRENCH 35		1			
A13	199710-5	CUTTING W.C.A. 125 SET		1			
017	256546-6	SHOULDER PIN 4		1			
018	318941-9	GEAR HOUSING		1			
E01	805459-4	SAFETY INSTRUCTION LABEL		1	*		

Please state Parts No. when your order.

Print Date 11/12/2023