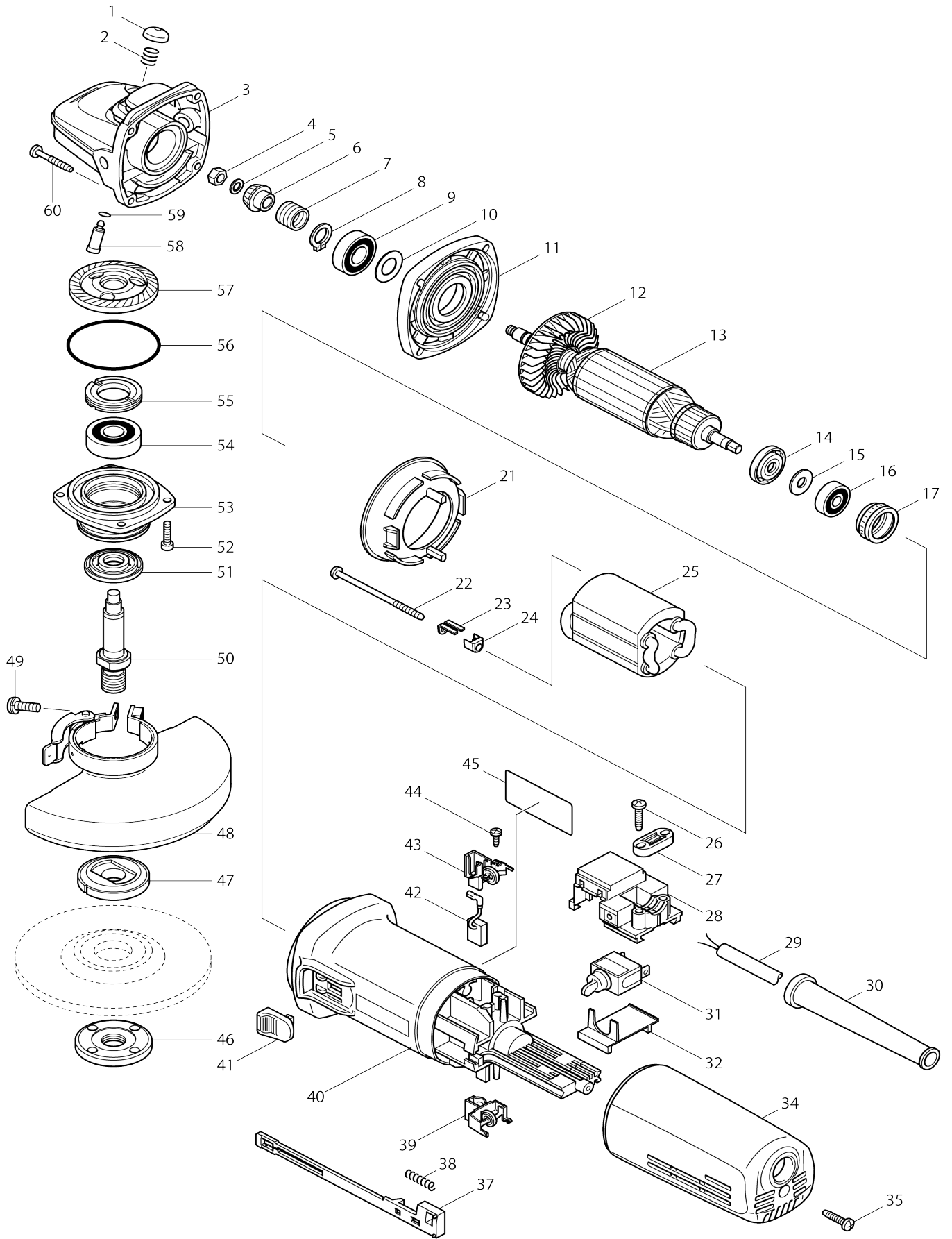


Model No.9565H 125MM ANGLE GRINDER



Model No.9565H 125MM ANGLE GRINDER

Item No.	Parts No.	Description	Interchangeability	Q'ty	New/Old	Note1	Note2
001	418067-8	PIN CAP		1			
002	233072-2	COMPRESSION SPRING 8		1			
003	153488-4	GEAR HOUSING COMPLETE		1			
004	931303-0	HEX. NUT M6		1			
005	253077-6	FLAT WASHER 6		1			
006	226794-1	SPIRAL BEVEL GEAR 11		1	*		
006-1	227513-8	SPIRAL BEVEL GEAR 11	S	1			
007	233901-9	LOCK SPRING 12		1			
008	961052-5	RETAINING RING (EXT) S-12		1			
009	211142-7	BALL BEARING 6001LLB		1			
010	253084-9	FLAT WASHER 12		1			
011	317359-1	GEAR HOUSING COVER		1			
012	240033-5	FAN 57		1			
013	515234-7	ARMATURE ASS'Y 240V		1			
D10		INC. 12,14-16					
014	681656-4	INSULATION WASHER		1	*		
014-1	681656-4	INSULATION WASHER	O	1			
015	253823-7	FLAT WASHER 7		1			
016	210027-4	BALL BEARING 627DDW		1			
017	421738-8	LABYRINTH RUBBER RING 22		1	*		
017-1	422750-1	LABYRINTH RUBBER RING 22	<	1			
021	413076-2	BAFFLE PLATE		1			
022	266258-3	TAPPING SCREW 4X70		2			
023	344871-8	RETAINER		2			
024	417237-6	INSULATION COVER		2	*		
025	626564-2	FIELD 230-240V		1	*		
025-1	621C09-3	FIELD 230-240V	S	1			
026	265995-6	TAPPING SCREW 4X18		2			
027	687052-4	STRAIN RELIEF		1	*		
027-1	687124-5	STRAIN RELIEF	O	1			
028	632945-0	SWITCH BLOCK		1	*		
028-1	632945-0	SWITCH BLOCK	O	1			
029	665394-6	POWER SUPPLY CORD 1.0-2-2.5		1			
030	682559-5	CORD GUARD 8		1			
031	651418-4	SWITCH ST115A-40		1	*		
031-1	651418-4	SWITCH ST115A-40	O	1			
032	687113-0	COVER		1			
034	417183-3	REAR COVER		1			
035	265995-6	TAPPING SCREW 4X18		1			
037	417186-7	SWITCH LEVER		1			
038	233071-4	COMPRESSION SPRING 4		1			
039	643760-7	BRUSH HOLDER		1			
040	418512-3	MOTOR HOUSING		1	*		
040-1	451278-2	MOTOR HOUSING	<	1	*		
040-2	453276-2	MOTOR HOUSING	<	1			
041	417813-6	SWITCH KNOB		1			
042	194074-2	CARBON BRUSH CB-325		1			

043	643760-7	BRUSH HOLDER		1		
044	266256-7	TAPPING SCREW PT3X10		4		
045	862753-7	9565H NAME PLATE		1		
046	224554-5	LOCK NUT 14-45		1		
047	224298-7	INNER FLANGE 42		1	*	
047-1	224415-9	INNER FLANGE 42	<	1		
048	135108-2	TOOLLESS WHEEL COVER 125 AS S'Y		1	*	
D10		INC. 49				
048-1	122895-2	TOOLLESS WHEEL COVER 125K ASSY	S	1	*	
C10	213009-5	O RING 4		1	*	
D10		INC. 49				
048-2	123145-8	TOOLLESS WHEELCOVER 125AK ASSY	<	1		
C10	213009-5	O RING 4		1		
D10		INC. 49				
049	251391-4	PAN HEAD SCREW M5X16		1	*	
049-1	265180-1	PAN HEAD SCREW M5X16	<	1		
050	324035-0	SPINDLE		1		
051	415300-9	LABYRINTH RING		1		
052	265490-6	HEX. SOCKET HEAD BOLT M4X16		4		
053	317570-5	BEARING BOX		1	*	
053-1	318302-3	BEARING BOX	<	1	*	
053-2	318334-0	BEARING BOX	S	1		
054	211129-9	BALL BEARING 6201DDW		1		
055	285841-7	BEARING RETAINER		1		
056	213673-2	O RING 52		1		
057	227427-1	SPIRAL BEVEL GEAR 38		1	*	
057-1	227631-2	SPIRAL BEVEL GEAR 38	S	1		
058	256459-1	PIN		1		
059	213048-5	O RING 6		1		
060	266257-5	TAPPING SCREW 4X28		4		
061	819329-1	CLEAR LABEL		1	*	
061-1	805W65-3	CLEAR LABEL	O	1	*	
A01	152490-4	GRIP 36 COMPLETE		1	*	
A01-1	153489-2	GRIP 36 COMPLETE	O	1		
A02	782407-9	LOCK NUT WRENCH 35		1	*	
A02-1	782423-1	LOCK NUT WRENCH 35	O	1		
A03	D-18465	GRINDING WHEEL 125X6 A24R		1		
F03	192227-7	SUPER FLANGE		1		
047	122444-5	INNER FLANGE 47 ASS'Y		1		
A01-2	162258-0	VIBRATION PROOF GRIP	O	1	*	
A01-3	153489-2	GRIP 36 COMPLETE	O	1		
A01	162258-0	VIBRATION PROOF GRIP		1		

Please state Parts No. when your order.

Print Date 10/10/2023